

PLEASE CHECK WWW.MOLEX.COM FOR LATEST PART INFORMATION

Part Number: [0399400321](#)
Status: **Active**
Description: 5.08mm (.200") Pitch Beau™ EuroMate™ Pluggable PCB Terminal Block, Dual Level, 270° Wire Entry, 21 Circuits

Documents:

[Drawing \(PDF\)](#) [RoHS Certificate of Compliance \(PDF\)](#)
[Product Specification PS-39940-001 \(PDF\)](#)

Agency Certification

UL E48521

General

Product Family Terminal Blocks
 Series [39940](#)
 Application Wire-to-Board
 Comments Gold plating available
 Component Type Plug
 Product Literature Order No USA-264
 Product Name EuroMate™ Pluggable
 Type Euro Block

Physical

Circuits (Loaded) 21
 Color - Resin Black
 Entry Angle Horizontal
 Flammability 94V-0
 Lock to Mating Part None
 Material - Resin Nylon
 Number of Rows 2
 Orientation Vertical
 Panel Mount No
 Pitch - Mating Interface (in) 0.200 In
 Pitch - Mating Interface (mm) 5.08 mm
 Polarized to Mating Part Yes
 Stackable No
 Temperature Range - Operating 130°C
 Termination Interface: Style Screw or Lug
 Wire Size AWG 12, 14, 16, 18, 20, 22
 Wire Size mm² 0.50 - 2.50

Electrical

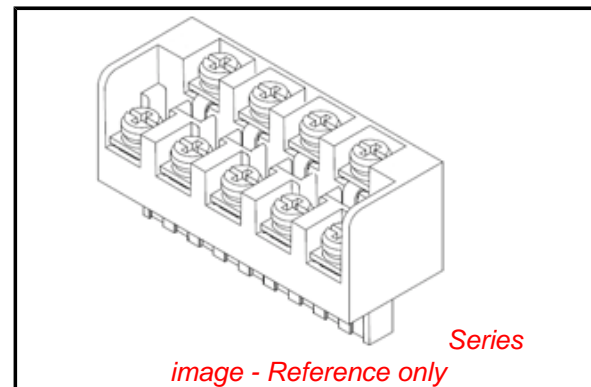
Current - Maximum per Contact 15A
 Voltage - Maximum 300V

Material Info

Old Part Number 940921

Reference - Drawing Numbers

Product Specification PS-39940-001
 Sales Drawing SD-39940-005



EU RoHS

ELV and RoHS
Compliant
REACH SVHC
 Not Reviewed
Halogen-Free
Status
Not Reviewed

China RoHS



Need more information on product environmental compliance?

Email productcompliance@molex.com
 For a multiple part number RoHS Certificate of Compliance, [click here](#)

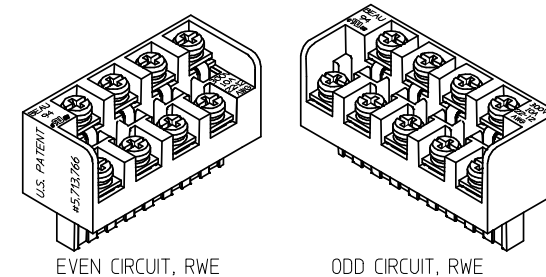
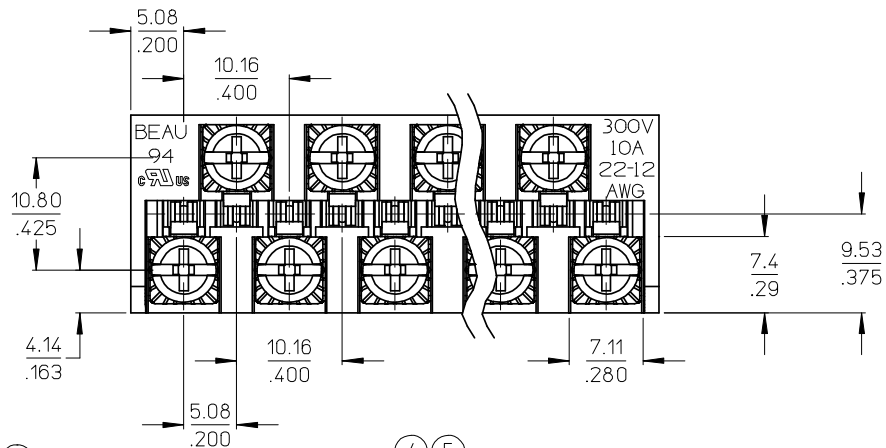
Please visit the [Contact Us](#) section for any non-product compliance questions.

Search Parts in this Series

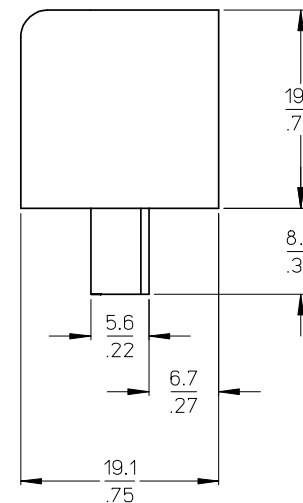
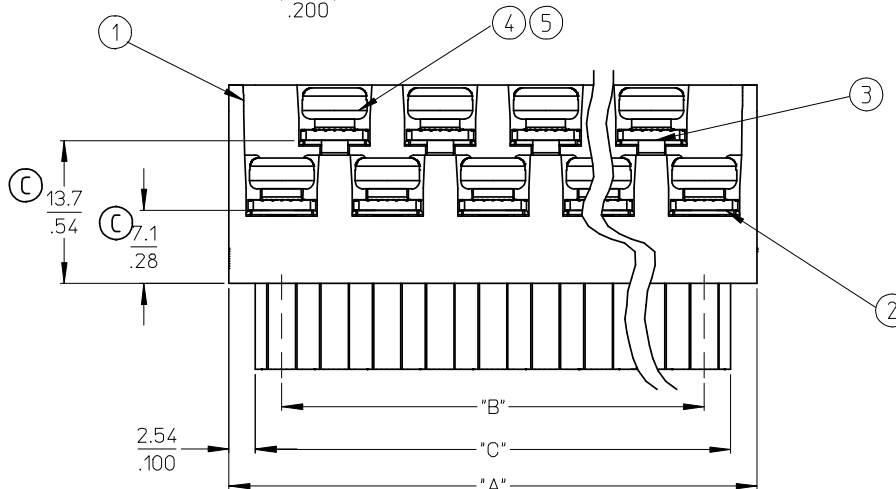
[39940Series](#)

Mates With

[39531-0021](#) , [39531-1021](#) , [39532-0021](#) , [39532-1021](#)



AUXILIARY VIEWS
SCALE 1:1



NOTES:

1. MATERIAL: SEE TABLE
2. FINISHES: SEE TABLE
3. PRODUCT SPECIFICATION: NOT REQUIRED
4. PACKAGING: NOT REQUIRED
5. MATES WITH: MOST 5.08 (.200) PIN HEADERS
6. "XX" REFERS TO THE QUANTITY OF CIRCUITS
7. ROHS COMPLIANT

ODD CIRCUIT CONFIGURATION SHOWN

ITEM	QTY. (EVEN NO. OF CIRCUITS)	QTY. (ODD NO. OF CIRCUITS)	DESCRIPTION	MATERIAL	FINISH
5	XX	XX	SCREW, M3.5 X .280	STEEL	ZINC CHROMATE
4	XX	XX	NUT, M3.5, HEX	STEEL	ZINC CHROMATE
3	XX/2	(XX-1)/2	REAR ROW TERM. (LONG)	PHOS. BRONZE	HOT TIN DIP
2	XX/2	(XX+1)/2	FRONT ROW TERM. (SHORT)	PHOS. BRONZE	HOT TIN DIP
1	1	1	BARRIER	THERMOPLASTIC	BLACK

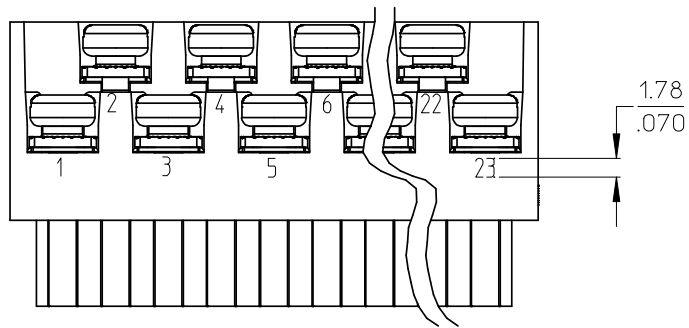
REVISED & REDRAWN	EC NO: WNA2008-0391	DRWN: JENC INAS 2008/07/01	CHKD: CYORK 2008/07/02	APPR: JMACNEIL 2008/07/07
REV	DESCRIPTION			

GENERAL TOLERANCES (UNLESS SPECIFIED)	
	mm INCH
4 PLACES	± .005 ± .005
3 PLACES	± .005 ± .005
2 PLACES	± 0.13 ± .01
1 PLACE	± 0.3 ± .01
ANGULAR ± 2 °	
DRAFT WHERE APPLICABLE MUST REMAIN WITHIN DIMENSIONS	

DIMENSION STYLE	
MM/IN	
DRAWN BY	DATE
J. FARMER	2004/12/03
CHECKED BY	DATE
R. KEMP	2004/12/03
APPROVED BY	DATE
GHR	2004/12/03
MATERIAL NO.	DOCUMENT NO.
SEE SHEET 2	SD-39940-005
SIZE B	THIS DRAWING CONTAINS INFORMATION THAT IS PROPRIETARY TO MOLEX INCORPORATED AND SHOULD NOT BE USED WITHOUT WRITTEN PERMISSION

SCALE	DESIGN UNITS	THIRD ANGLE PROJECTION
2:1	INCH	
TITLE		
5.08/.200 PLUG ASSY, FWE WITH CLOSED ENDS (9409XX)		
MOLEX MOLEX INCORPORATED		
DOCUMENT NO.		SHEET NO.
SD-39940-005		1 OF 2

NO. OF CIRC. "XX"	"A" DIM.		"B" DIM.		"C" ^{+0.00} _{-.25} [^{+0.000} _{-.010}]	MATERIAL NO. (STANDARD)	
03	20.3	[.80]	10.16	[.400]	15.2	[.60]	399400303
04	25.4	[1.00]	15.24	[.600]	20.3	[.80]	399400304
05	30.5	[1.20]	20.32	[.800]	25.4	[1.00]	399400305
06	35.6	[1.40]	25.40	[1.000]	30.5	[1.20]	399400306
07	40.6	[1.60]	30.48	[1.200]	35.6	[1.40]	399400307
08	45.7	[1.80]	35.56	[1.400]	40.6	[1.60]	399400308
09	50.8	[2.00]	40.64	[1.600]	45.7	[1.80]	399400309
10	55.9	[2.20]	45.72	[1.800]	50.8	[2.00]	399400310
11	61.0	[2.40]	50.80	[2.000]	55.9	[2.20]	399400311
12	66.0	[2.60]	55.88	[2.200]	61.0	[2.40]	399400312
13	71.1	[2.80]	60.96	[2.400]	66.0	[2.60]	399400313
14	76.2	[3.00]	66.04	[2.600]	71.1	[2.80]	399400314
15	81.3	[3.20]	71.12	[2.800]	76.2	[3.00]	399400315
16	86.4	[3.40]	76.20	[3.000]	81.3	[3.20]	399400316
17	91.4	[3.60]	81.28	[3.200]	86.4	[3.40]	399400317
18	96.5	[3.80]	86.36	[3.400]	91.4	[3.60]	399400318
19	101.6	[4.00]	91.44	[3.600]	96.5	[3.80]	399400319
20	106.7	[4.20]	96.52	[3.800]	101.6	[4.00]	399400320
21	111.8	[4.40]	101.60	[4.000]	106.7	[4.20]	399400321
22	116.9	[4.60]	106.68	[4.200]	111.8	[4.40]	399400322
23	121.9	[4.80]	111.76	[4.400]	116.8	[4.60]	399400323
24	127.0	[5.00]	116.84	[4.600]	121.9	[4.80]	399400324



OPTIONAL
10A IMPRINTING
(ODD CIRCUIT CONFIGURATION SHOWN)

SEE SHEET ONE EEC NO: WNA2008-0391 DRWN: JENCINAS 2008/07/01 CHKD: CYORK 2008/07/02 APPR: JMACNEIL 2008/07/07	QUALITY SYMBOLS ▽=0 ◻=0	GENERAL TOLERANCES (UNLESS SPECIFIED)		DIMENSION STYLE	SCALE	DESIGN UNITS	THIRD ANGLE PROJECTION	
				MM/IN	2:1	INCH		
				mm	INCH	DRAWN BY DATE		
						J. FARMER 2004/12/03		
		4 PLACES ± --- ± ---		CHECKED BY DATE		TITLE 5.08/.200 PLUG ASSY, FWE WITH CLOSED ENDS (9409XX)		
		3 PLACES ± --- ± .005		R. KEMP 2004/12/03				
		2 PLACES ± 0.13 ± .01		APPROVED BY DATE		MOLEX INCORPORATED		
		1 PLACE ± 0.3 ± ---		GHR 2004/12/03				
		ANGULAR ± 2 °		MATERIAL NO.		DOCUMENT NO.		
		DRAFT WHERE APPLICABLE MUST REMAIN WITHIN DIMENSIONS		SEE CHART		SD-39940-005		
				SIZE B		SHEET NO. 2 OF 2		
				THIS DRAWING CONTAINS INFORMATION THAT IS PROPRIETARY TO MOLEX INCORPORATED AND SHOULD NOT BE USED WITHOUT WRITTEN PERMISSION				