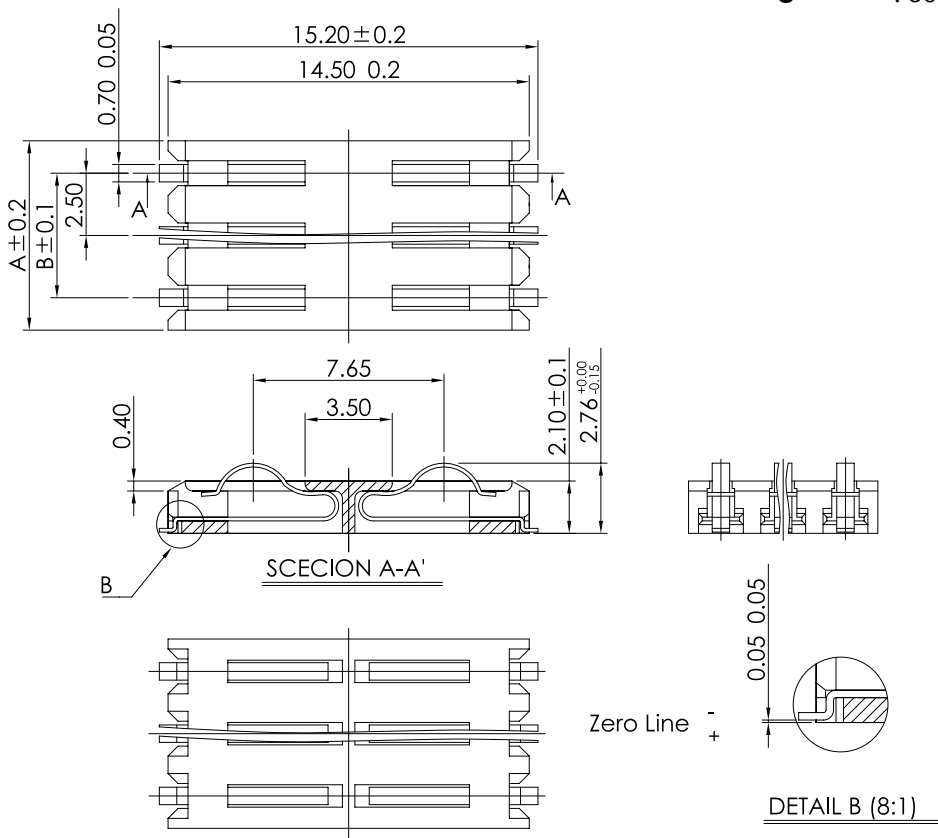




## 250291MA Series

### Specifications:

- **Insulator Material** : Black High Temp. Plastic
- **Operating Type Range** : -40°C TO +105°C
- **Terminal Material** : Phos. Bronze
- **Platings** : Contact-Selective Gold  
Plated or Full Gold Plated
- **Max. Current Rating** : 1.0A
- **Max. Voltage Rating** : 30V AC
- **Dielectric Strength** : 500V AC For 60 Seconds



Mobile

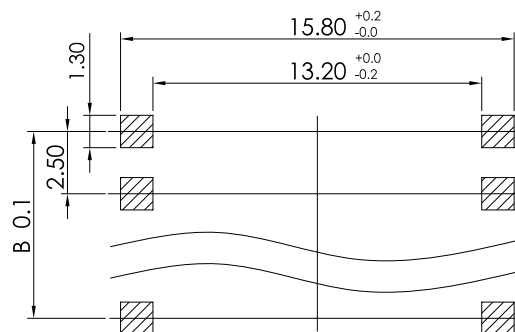
## Order Information

250291MA     00ZU

1    2    3    4 5

1. 'A' : Straight SMT Type
  2. No. of pins.
  3. Plating
  4. Color 'Z' : Black
  5. Package  
'U' : Tube Package Without Cap
- Reference Page 11

## Recommended P.C.B Layout



SIM  
CARD

## Dimension Information

SUYIN P/NO.	DIM.A	DIM.B
250291MA006 <input type="checkbox"/> <input type="checkbox"/> <input type="checkbox"/> 00ZU	7.60	5.00
250291MA008 <input type="checkbox"/> <input type="checkbox"/> <input type="checkbox"/> 00ZU	10.10	7.50