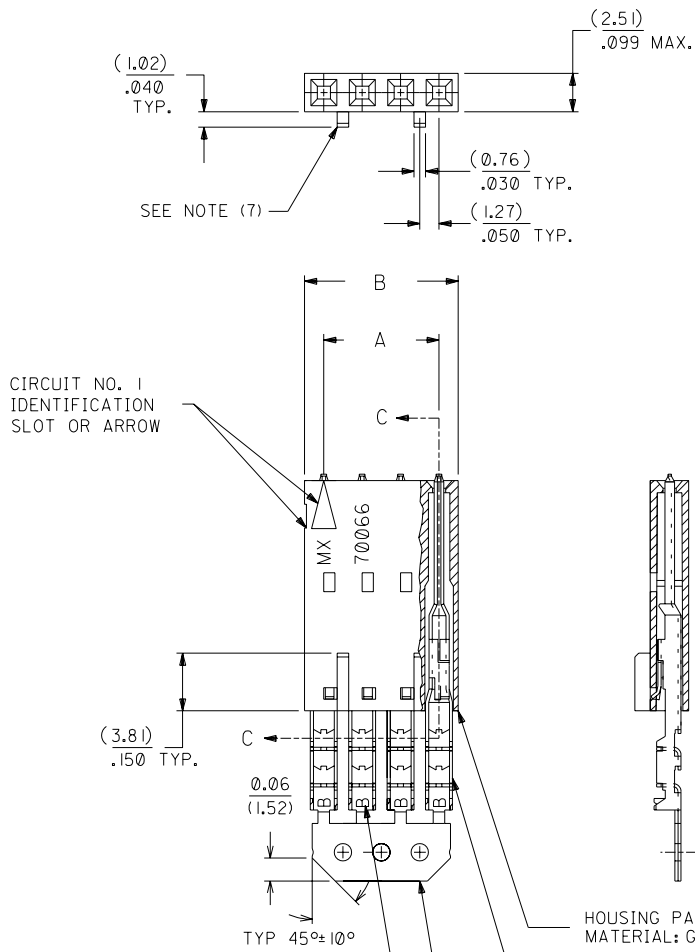


# OPTION D

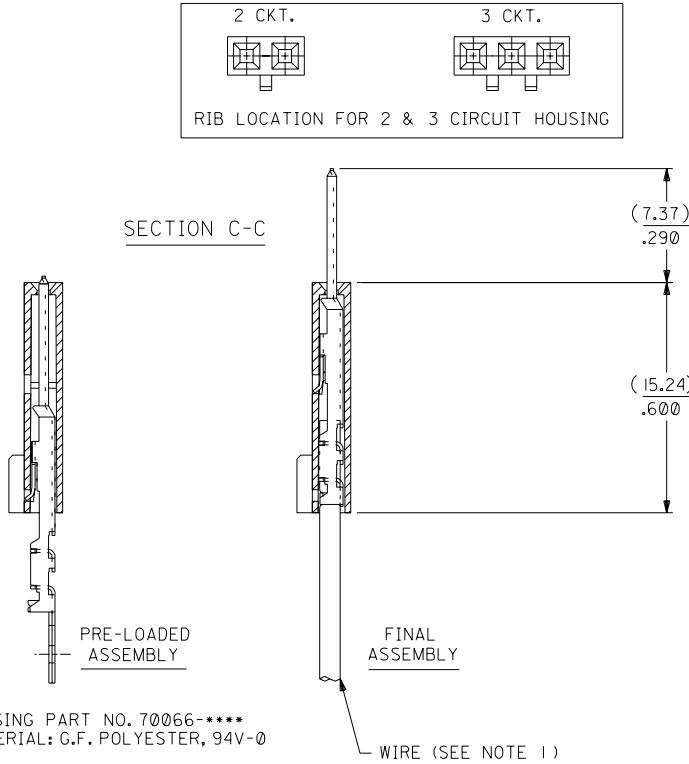
### NOTES:

- 1) TO BE USED WITH (26 )AWG. STRANDED WIRE WITH (.135)/.053 DIA. MAX. INSULATION.
- 2) SEE CHART FOR CIRCUIT SIZES.
- 3) STANDARD PACKAGING PER PK-70873-0001. OPTIONAL PACKAGING MAY BE AVAILABLE, REQUEST DWG. PK-70475.
- 4) PARTS STACKABLE END TO END ON (2.54)/.100 CENTERS.
- 5) REFER TO PRODUCT SPECIFICATION: PS-70475.
- 6) SEE DWG. SDA-70475-\*\*\*\*\* (SHT.3) FOR OPTIONAL HOUSING DETAILS.
- 7) 4 CIRCUIT SHOWN. 3 - 25 CKT'S. HAVE (2) RIBS.
- 8) TO MATE WITH MOLEX PART NO'S.: 70018-\*\*\*\*, 70022-\*\*\*\*, 70104-\*\*\*\*.
- 9) 2 CIRCUIT ASSEMBLIES SUPPLIED AS GROUPED PAIRS.



CIRCUIT NO. 1 IDENTIFICATION SLOT OR ARROW

### SECTION C-C



HOUSING PART NO. 70066-\*\*\*\*  
MATERIAL: G.F. POLYESTER, 94V-0

TERMINAL PART NO. 70110-\*\*\*\*  
MATERIAL: PHOSPHOR BRONZE  
PLATING PER ES-88-\*\*\*

15 GOLD - .000015 MINIMUM GOLD IN SELECT AREA WITH  
.000075 MINIMUM TIN  
IN SELECT AREA OVER .000050 MINIMUM NICKEL  
OVER-ALL.

\*THE PRIMARY SHIPPING CARTON WILL BE LABELED "COMPLIANT TO  
RoHS DIRECTIVE 2002/95/EC AND ELV ANNEX II OF DIRECTIVE 2000/53/EC".  
CARTONS WITHOUT THIS LABEL MAY CONTAIN PRODUCT WITH LEAD.

I.D. SLOT CODE TO WIRE GAUGE CHART	
I.D. SLOT CODE	WIRE GAUGE
B	26 AWG.

PLATING CODE (STRIPE ON CARRIER STRIP)	
PLATING	COLOR
15 GOLD	YELLOW

CKT. SIZE	DIMENSIONS (INCH)		EDP. NO.	ENG. NO.
	A	B		
2	( 2.54 ) .100	( 5.05 ) .199	14-44-1602	A-70475-0771
3	( 5.08 ) .200	( 7.59 ) .299	14-44-1603	A-70475-0772
4	( 7.62 ) .300	( 10.13 ) .399	14-44-1604	A-70475-0773
5	( 10.16 ) .400	( 12.67 ) .499	14-44-1605	A-70475-0774
6	( 12.70 ) .500	( 15.21 ) .599	14-44-1606	A-70475-0775
7	( 15.24 ) .600	( 17.75 ) .699	14-44-1607	A-70475-0776
8	( 17.78 ) .700	( 20.29 ) .799	14-44-1608	A-70475-0777
9	( 20.32 ) .800	( 22.83 ) .899	14-44-1609	A-70475-0778
10	( 22.86 ) .900	( 25.37 ) .999	14-44-1610	A-70475-0779
11	( 25.54 ) 1.000	( 27.91 ) 1.099	14-44-1611	A-70475-0780
12	( 27.94 ) 1.100	( 30.45 ) 1.199	14-44-1612	A-70475-0781
13	( 30.48 ) 1.200	( 32.99 ) 1.299	14-44-1613	A-70475-0782
14	( 33.02 ) 1.300	( 35.53 ) 1.399	14-44-1614	A-70475-0783
15	( 35.56 ) 1.400	( 38.07 ) 1.499	14-44-1615	A-70475-0784
16	( 38.01 ) 1.500	( 40.61 ) 1.599	14-44-1616	A-70475-0785
17	( 40.64 ) 1.600	( 43.15 ) 1.699	14-44-1617	A-70475-0786
18	( 43.18 ) 1.700	( 45.69 ) 1.799	14-44-1618	A-70475-0787
19	( 45.72 ) 1.800	( 48.23 ) 1.899	14-44-1619	A-70475-0788
20	( 48.26 ) 1.900	( 50.77 ) 1.999	14-44-1620	A-70475-0789
21	( 50.80 ) 2.000	( 53.31 ) 2.099	14-44-1621	A-70475-0790
22	( 53.34 ) 2.100	( 55.85 ) 2.199	14-44-1622	A-70475-0791
23	( 55.88 ) 2.200	( 58.39 ) 2.299	14-44-1623	A-70475-0792
24	( 58.42 ) 2.300	( 60.93 ) 2.399	14-44-1624	A-70475-0793
25	( 60.96 ) 2.400	( 63.47 ) 2.499	14-44-1625	A-70475-0794

LTR.	REVISIONS	LTR.	REVISIONS
	E		D
	F		EI
			C

DRWG. BY	CHK'D. BY	SCALE
WAZ	WAZ	4 : 1
APP'D. BY		
RL		

DIMENSIONS SHOWN (METRIC) INCH  
UNLESS OTHERWISE SPECIFIED  
TOLERANCES: ANGULAR ± 1/2°

3 PLACE	±	INCH	METRIC
		± .010	---
2 PLACE		± .014	± 0.25
1 PLACE		---	± 0.35

DRAFT WHERE APPLICABLE MUST REMAIN WITHIN DIMENSIONS

REVISIONS PER ECR NO. U82124 10-17-88 MGB

REVISIONS PER ECR #U81370 5/20/88 MJM

REDRAWN ON CAD ECR# 8842 5/23/86 W.Z.

MOLEX INCORPORATED  
LISLE, ILL. 60532 U.S.A.

SHEET NO. 1 DATE 10 / 13 / 84

PART NO. SDA-70475-0771-0794

SEE CHART

THIS DRAWING CONTAINS INFORMATION THAT IS PROPRIETARY TO MOLEX INC. AND SHOULD NOT BE USED WITHOUT WRITTEN PERMISSION.

70475

MFG. SH. REV.

SIZE C