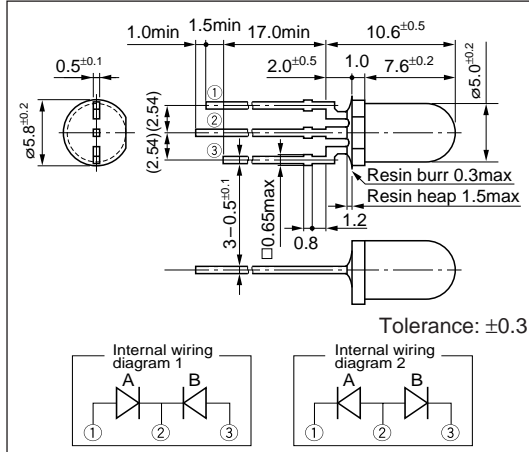


# 5 $\phi$ Round Standard Bicolor LED

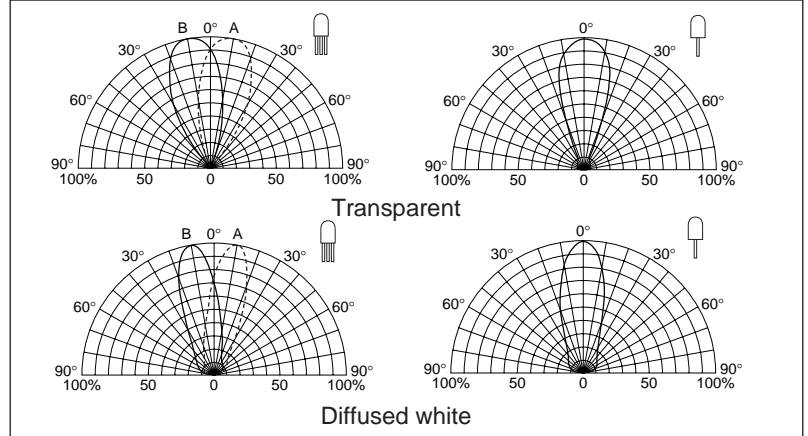
## SML1016/10016 Series

### External Dimensions

(Unit: mm)



### Directivity (Typical)



### Absolute maximum ratings (Ta=25°C)

Symbol	Unit	Rating	Condition
I <sub>F</sub>	mA	30	
ΔI <sub>F</sub>	mA/°C	-0.45	Above 25°C
I <sub>FP</sub>	mA	100	f=1kHz, tw≤100μs
V <sub>R</sub>	V	4	
Top	°C	-30 to +85	
Tstg	°C	-30 to +100	

### Absolute maximum ratings (Ta=25°C)

#### ● Common cathode (Internal wiring diagram 1)

Emitting color	Part Number	Lens color	Forward voltage			Reverse current		Intensity		Peak wavelength		Spectrum half width		Chip material
			V <sub>F</sub> (V)		Condition I <sub>F</sub> (mA)	I <sub>R</sub> (μA) max	V <sub>R</sub> (V)	I <sub>v</sub> (mcd) typ	Condition I <sub>F</sub> (mA)	λ <sub>P</sub> (nm) typ	Condition I <sub>F</sub> (mA)	Δλ (nm) typ	Condition I <sub>F</sub> (mA)	
			typ	max										
A Deep red	SML11516C	Clear	2.0	2.5	10	10	4	15	20	700	10	100	10	GaP
B Pure green			2.0	2.5	10	10	4	50	20	555	10	20	10	GaP
A Deep red	SML1516W	Diffused white	2.0	2.5	10	10	4	6.0	20	700	10	100	10	GaP
B Pure green			2.0	2.5	10	10	4	20	20	555	10	20	10	GaP
A Red	SML1216C	Clear	1.9	2.5	10	10	4	65	20	630	10	35	10	GaAsP
B Green			2.0	2.5	10	10	4	90	20	560	10	20	10	GaP
A Red	SML1216W	Diffused white	1.9	2.5	10	10	4	60	20	630	10	35	10	GaAsP
B Green			2.0	2.5	10	10	4	60	20	560	10	20	10	GaP
A Amber	SML1816W	Diffused white	1.9	2.5	10	10	4	50	20	610	10	35	10	GaAsP
B Green			2.0	2.5	10	10	4	60	20	560	10	20	10	GaP
A Orange	SML19416W	Diffused white	1.9	2.5	10	10	4	45	20	587	10	33	10	GaAsP
B Green			2.0	2.5	10	10	4	60	20	560	10	20	10	GaP

#### ● Common anode (Internal wiring diagram 2)

Emitting color	Part Number	Lens color	Forward voltage			Reverse current		Intensity		Peak wavelength		Spectrum half width		Chip material
			V <sub>F</sub> (V)		Condition I <sub>F</sub> (mA)	I <sub>R</sub> (μA) max	V <sub>R</sub> (V)	I <sub>v</sub> (mcd) typ	Condition I <sub>F</sub> (mA)	λ <sub>P</sub> (nm) typ	Condition I <sub>F</sub> (mA)	Δλ (nm) typ	Condition I <sub>F</sub> (mA)	
			typ	max										
A High-intensity red	SML16716CN	Clear	1.7	2.2	10	10	4	100	20	660	10	30	10	GaAlAs
B Yellow			2.4	3.0	10	10	4	140	20	570	10	30	10	GaP
A High-intensity red	SML16716WN	Diffused white	1.7	2.2	10	10	4	50	20	660	10	30	10	GaAlAs
B Yellow			2.4	3.0	10	10	4	70	20	570	10	30	10	GaP