

10BASE-T NETWORK COMPONENTS FILTER MODULES

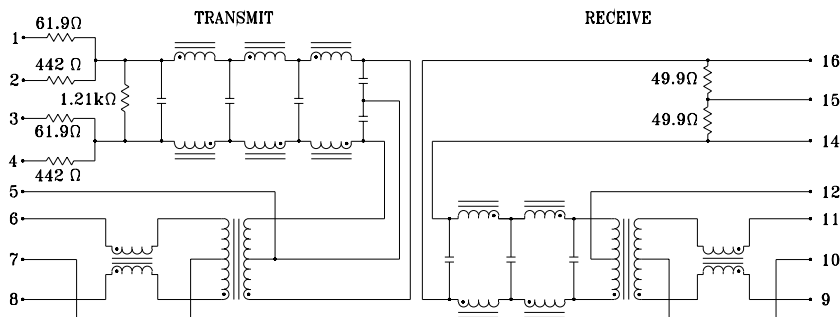
960003B

- Complies with IEEE 802.3i 1993 specifications for 10Base-T
- Designed to function with a variety of AMD 10Base-T transceivers
- Through-hole and SMT packaging
- Improved EMI characteristics for FCC and CISPR "B" performance
- Includes pre-emphasis and impedance matching resistor network
- 2000 Vrms isolation

ELECTRICALS AT 25°C

Part No.	Insertion Loss (dB) Typ 1MHz-10MHz	Attenuation (dB) Min						Return Loss (dB) Min 1MHz-10MHz	Crosstalk (dB) Min 1MHz-10MHz	Common Mode Rej (dB) Min	
		30MHz		50MHz		100MHz				10-30MHz	30-100MHz
		Tx	Rx	Tx	Rx	Tx	Rx				
0556-2006-24	-5.0	-27	-16	-33	-26	-40	-30	-15	-30	-40	-30
S556-5999-A4	-5.0	-27	-16	-33	-26	-40	-30	-15	-35	-40	-30

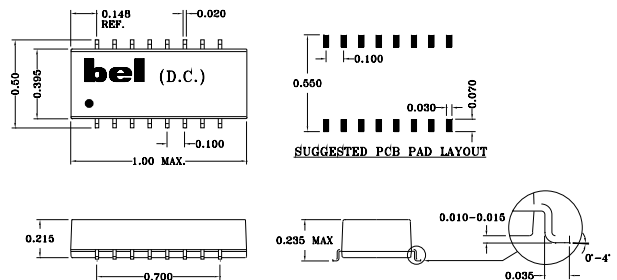
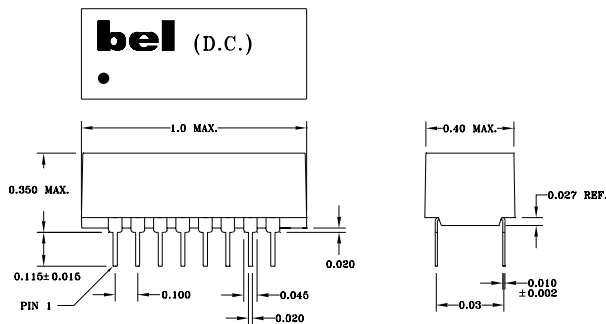
SCHEMATIC



MECHANICALS

0556-2006-24

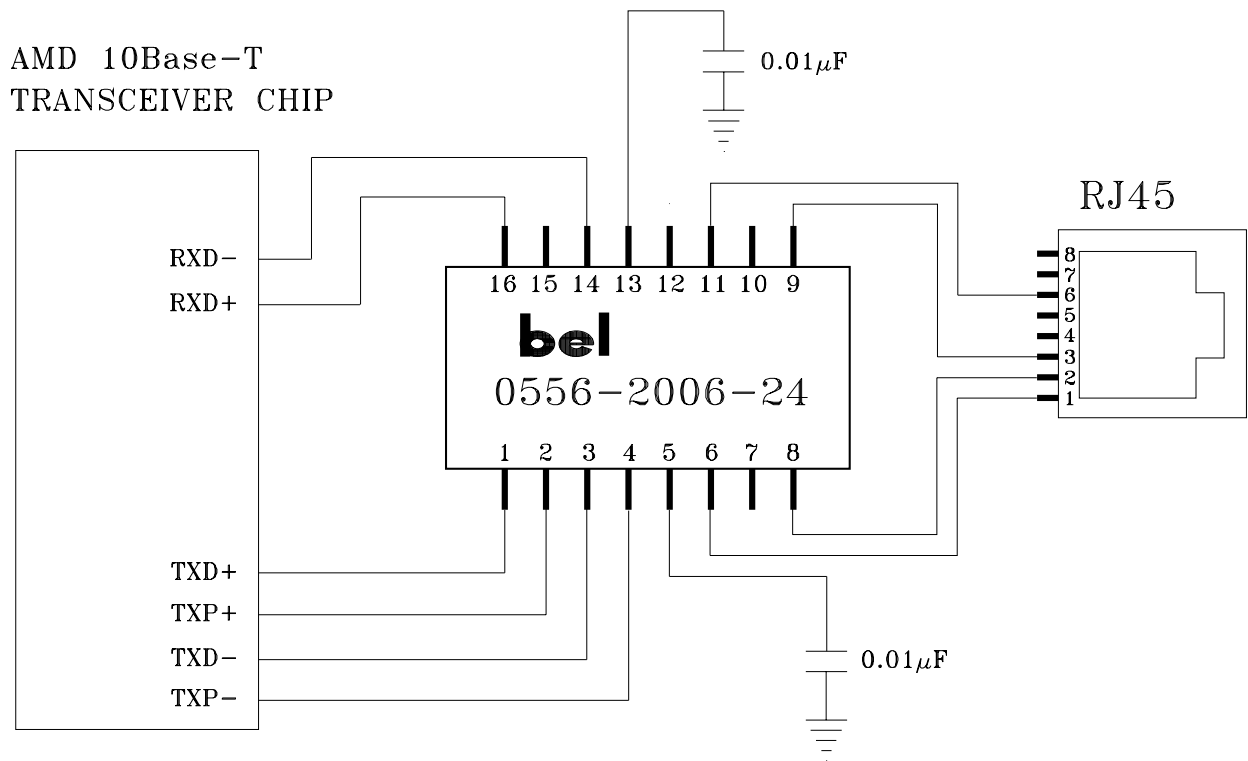
S556-5999-A4



Specifications subject to change without notice.

**10BASE-T NETWORK COMPONENTS
FILTER MODULES**

960003B

APPLICATION CIRCUIT**APPLICATION NOTES**

- Refer to Bel short form catalog for list of recommended AMD transceivers compatible for use with these parts.
- Resistor values are chosen to precision match the impedance characteristics of the AMD transceiver with that of the internal filter network within magnetics module.
- This part provides impedance matching, signal wave shaping, EMI and common mode noise suppression and high voltage isolation.

Corporate Office**Bel Fuse Inc.**

198 Van Vorst Street, Jersey City, NJ 07302-4496
Tel: 201-432-0463
Fax: 201-432-9542
E-Mail: BelFuse@belfuse.com
Internet: <http://www.belfuse.com>

Far East Office**Bel Fuse Ltd.**

8F/8 Luk Hop Street
San Po Kong
Kowloon, Hong Kong
Tel: 852-2328-5515
Fax: 852-2352-3706

European Office**Bel Fuse Europe Ltd.**

Preston Technology Management Centre
Marsh Lane, Preston PR1 8UD
Lancashire, U.K.
Tel: 44-1772-556601
Fax: 44-1772-888366