

PLEASE CHECK WWW.MOLEX.COM FOR LATEST PART INFORMATION

Part Number: [0010191181](#)
Status: **Active**
Overview: [kk](#)
Description: 5.08mm (.200") Pitch KK® Header, Vertical, with Polarizing Backwall, 18 Circuits, Tin (Sn) Plating

Documents:

[3D Model](#) [RoHS Certificate of Compliance \(PDF\)](#)
[Drawing \(PDF\)](#)

Agency Certification

UL E29179

General

Product Family PCB Headers
 Series [2599](#)
 Application Wire-to-Board
 Overview [kk](#)
 Product Name KK®

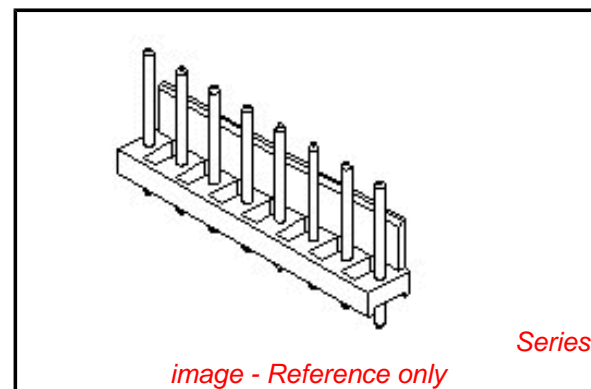
Physical

Breakaway No
 Circuits (Loaded) 18
 Circuits (maximum) 18
 Color - Resin Natural
 Durability (mating cycles max) 50
 First Mate / Last Break No
 Flammability 94V-2
 Glow-Wire Compliant No
 Guide to Mating Part No
 Keying to Mating Part None
 Lock to Mating Part None
 Material - Metal Brass
 Material - Plating Mating Tin
 Material - Plating Termination Tin
 Material - Resin Nylon
 Number of Rows 1
 Orientation Vertical
 PC Tail Length (in) 0.175 In
 PC Tail Length (mm) 4.45 mm
 PCB Retention None
 PCB Thickness Recommended (in) 0.062 In
 PCB Thickness Recommended (mm) 1.60 mm
 Packaging Type Bag
 Pitch - Mating Interface (in) 0.200 In
 Pitch - Mating Interface (mm) 5.08 mm
 Shrouded Partial
 Stackable Yes
 Surface Mount Compatible (SMC) No
 Temperature Range - Operating 0°C to +75°C
 Termination Interface: Style Through Hole

Electrical

Current - Maximum per Contact 7A
 Voltage - Maximum 250V

Material Info



EU RoHS **China RoHS**

Compliance Status

Not Reviewed

REACH SVHC

Not Reviewed

Halogen-Free

Status

Not Reviewed

Need more information on product environmental compliance?

Email productcompliance@molex.com
 For a multiple part number RoHS Certificate of Compliance, [click here](#)

Please visit the [Contact Us](#) section for any non-product compliance questions.

Search Parts in this Series

[2599Series](#)

Mates With

KK® Crimp Terminal Housing [3001](#) , [5058](#)

Old Part Number

2599-18A

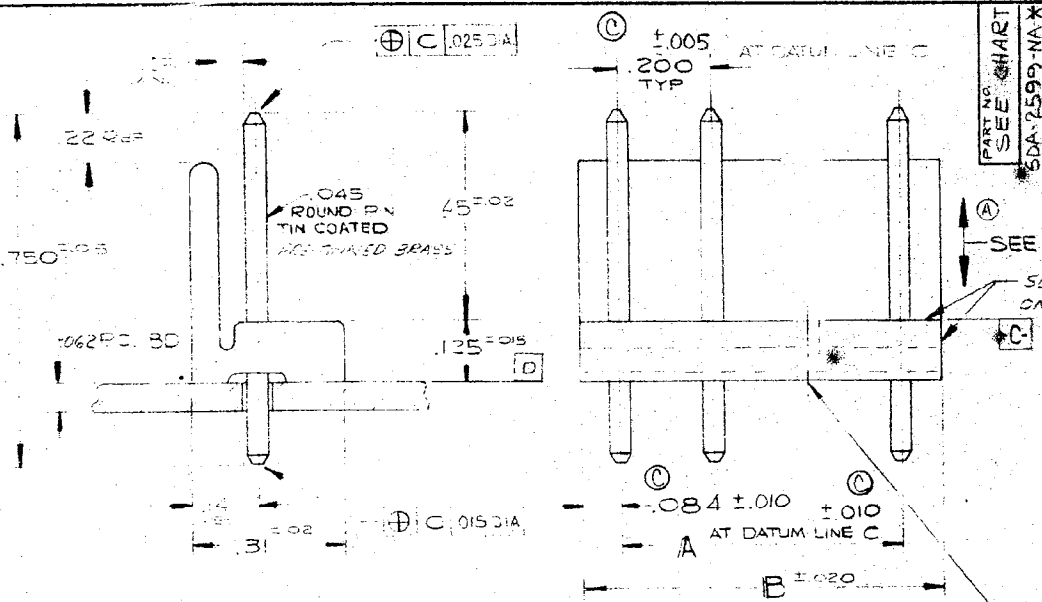
Reference - Drawing Numbers

Sales Drawing

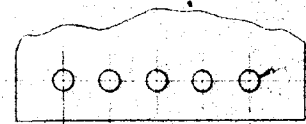
SDA-2599-NA*

This document was generated on 05/24/2010

PLEASE CHECK WWW.MOLEX.COM FOR LATEST PART INFORMATION



PART NO. SEE CHART SDA-2599-NA*



RECOMMENDED PCB BOARD HOLE DIMENSIONS

SEE NOTE 1

SLIGHT SAW BURR PERMITTED ON TOP & SIDE EDGES - BOTH ENDS

10-19-1181	A-2599-18A	18	3.400	3.568
1171	A-2599-17A	17	3.200	3.368
1161	A-2599-16A	16	3.000	3.168
1151	A-2599-15A	15	2.800	2.968
1141	A-2599-14A	14	2.600	2.768
1131	A-2599-13A	13	2.400	2.568
1121	A-2599-12A	12	2.200	2.368
1111	A-2599-11A	11	2.000	2.168
1101	A-2599-10A	10	1.800	1.968
1091	A-2599-9A	9	1.600	1.768
1081	A-2599-8A	8	1.400	1.568
1071	A-2599-7A	7	1.200	1.368
1061	A-2599-6A	6	1.000	1.168
1051	A-2599-5A	5	.800	.968
1041	A-2599-4A	4	.600	.768
1031	A-2599-3A	3	.400	.568
10-19-1021	A-2599-2A	2	.200	.368
PART NO	ENG NO	NO OF CIRCUITS	DIM. A	DIM. B

FOR VOID LOC. SEE CHART ON SHEET 2

- NOTES:
 A) 1. PIN PUSH OUT FORCE: 3 LBS. MIN.
 2. BURRS NOT TO EXTEND BELOW SURFACE D
 C. CODE LETTER PRECEDING PART NO. INDICATES MFG LOCATION - I - IRELAND
 * PARTS TO MEET MOLEX PRODUCT SPEC 0-39

WAFER MATERIAL: NYLON - NATURAL COLOR

.200 CENTER DISTANCE

J. [unclear] H. [unclear] G. [unclear] F. [unclear] E. [unclear] D. [unclear] C. [unclear] B. [unclear] A. [unclear]	UNLESS OTHERWISE SPECIFIED TOLERANCES: 3-PLACE DEC. DIMS ± .008 2-PLACE DEC. DIMS ± .010 FRACTIONAL DIMS ± 1/64 ANGULAR ± 1° DRAFT WHERE APPLICABLE MUST REMAIN WITHIN DIMENSIONS, UNLESS OTHERWISE SPECIFIED. DO NOT SCALE DRAWING	POLARIZING WAFER ASSEMBLY MOLEX PRODUCTS CO. DOWNERS GROVE, ILL. 60515, U.S.A. DATE: 1-13-72 SHEET 2 OF 2 SDA-2599-NA* THIS DRAWING CONTAINS INFORMATION THAT IS PROPRIETARY TO THE MOLEX PRODUCTS COMPANY AND SHOULD NOT BE USED WITHOUT WRITTEN PERMISSION.
--	---	---

