

PLEASE CHECK WWW.MOLEX.COM FOR LATEST PART INFORMATION

Part Number: **0751981014**
Status: **Active**
Overview: vhdm_hsd
Description: 2.00mm (.079") Pitch 8-Row VHDM® Lite Backplane Header, Guide Pin Signal Module, Pin End Version, 80 Circuits, Pin Length 5.15mm (.203")

Documents:

[Drawing \(PDF\)](#) [RoHS Certificate of Compliance \(PDF\)](#)
[Product Specification PS-74031-999 \(PDF\)](#)

General

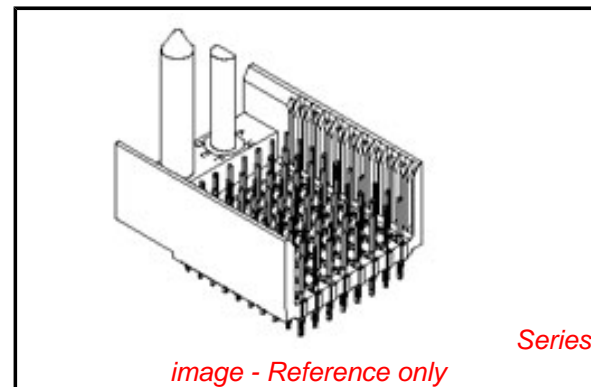
Product Family	Backplane Connectors
Series	75198
Application	Backplane
Application Tooling Documents	Tooling Manual
Comments	Keying Position A
Component Type	PCB Header
Overview	vhdm_hsd
Product Name	VHDM Lite®
Style	N/A

Physical

Circuits (Loaded)	80
Circuits (maximum)	80
Color - Resin	Black
Durability (mating cycles max)	200
First Mate / Last Break	No
Guide to Mating Part	Yes
Keying to Mating Part	Yes
Material - Metal	High Performance Alloy (HPA), Stainless Steel
Material - Plating Mating	Gold
Material - Plating Termination	Tin-Lead
Material - Resin	High Temperature Thermoplastic
Number of Columns	10
Number of Pairs	Open Pin Field
Number of Rows	8
Orientation	Vertical
PCB Retention	Yes
PCB Thickness Recommended (in)	0.070 In
PCB Thickness Recommended (mm)	1.80 mm
Packaging Type	Tube
Pitch - Mating Interface (in)	0.079 In
Pitch - Mating Interface (mm)	2.00 mm
Plating min: Mating (µin)	30
Plating min: Mating (µm)	0.75
Plating min: Termination (µin)	30
Plating min: Termination (µm)	0.75
Polarized to PCB	Yes
Stackable	Yes
Surface Mount Compatible (SMC)	Yes
Temperature Range - Operating	-55°C to +105°C
Termination Interface: Style	Through Hole - Compliant Pin

Electrical

Current - Maximum per Contact 1A



EU RoHS

RoHS Compliant by Exemption
REACH SVHC
Contains SVHC: No
Halogen-Free
Status
Not Reviewed

China RoHS



Need more information on product environmental compliance?

Email productcompliance@molex.com
 For a multiple part number RoHS Certificate of Compliance, [click here](#)

Please visit the [Contact Us](#) section for any non-product compliance questions.

Search Parts in this Series

75198Series

Mates With

75191 VHDM® Lite-Series Board-to-Board Daughtercard

Use With

Daughtercard Modules

Application Tooling | FAQ

Tooling specifications and manuals are found by selecting the products below. Crimp Height Specifications are then contained in the Application Tooling Specification document.

Global

Description	Product #
VHDM® Signal Pin Inserter Repair Tool	0622015700
VHDM® Insertion Module for Standard Shield Signal Header, 8 Row by	0622020209

Data Rate	622.0 Mbps
Real Signals (per 25mm)	72
Voltage - Maximum	120V AC (RMS)/DC

10 Wide, 20.00mm (.787")

Material Info

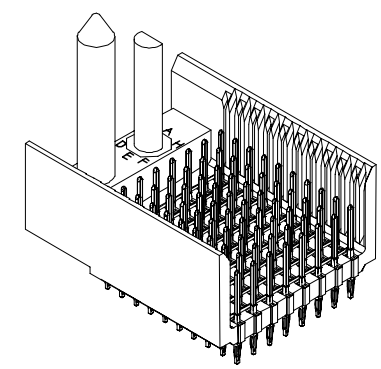
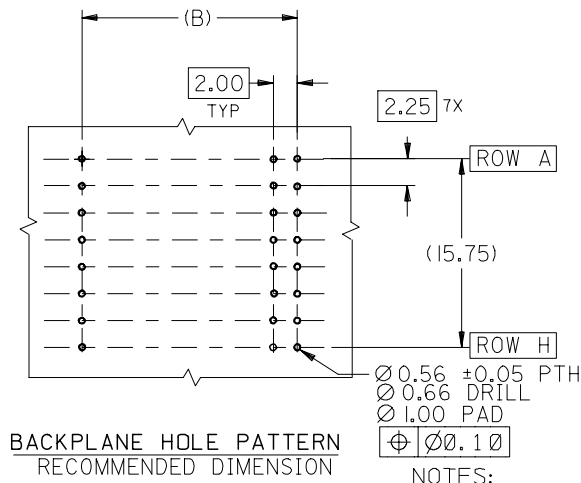
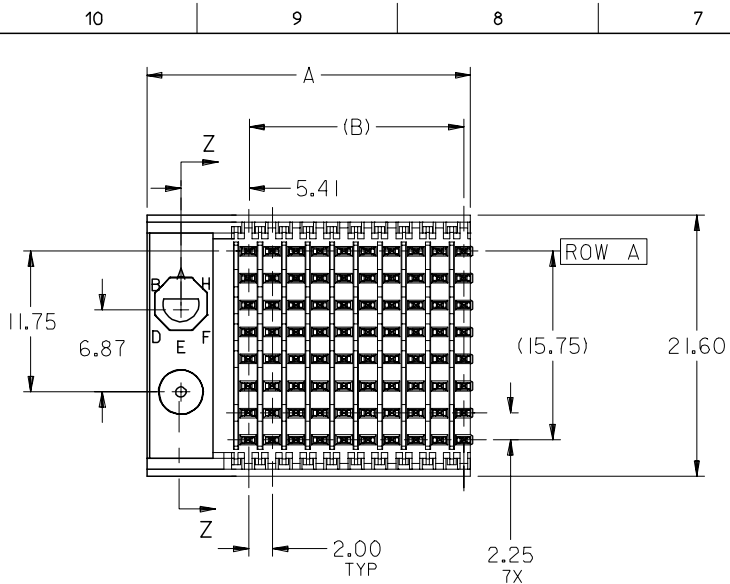
Reference - Drawing Numbers

Packaging Specification	PK-74061-003
Product Specification	PS-74031-999
Sales Drawing	SD-75198-001

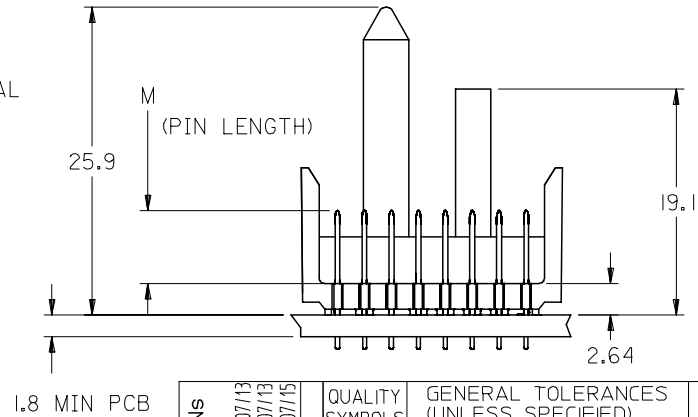
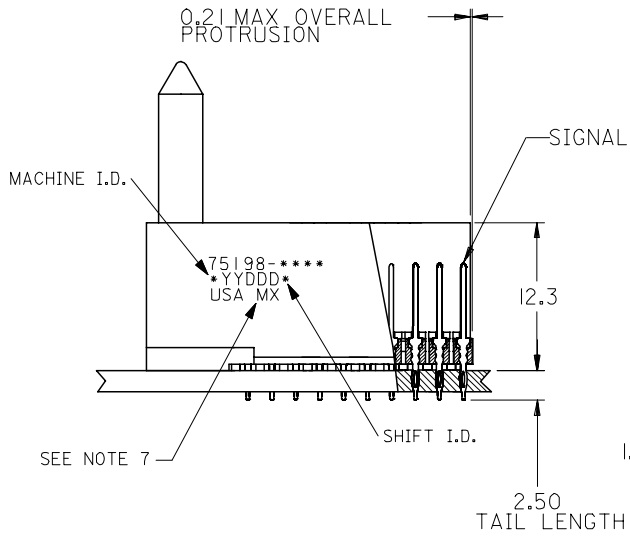
VHDM and Very High Density Metric are trademarks of Amphenol Corporation

This document was generated on 05/28/2010

PLEASE CHECK WWW.MOLEX.COM FOR LATEST PART INFORMATION



- NOTES:
- MATERIALS:
HOUSING - LIQUID CRYSTAL POLYMER (LCP),
GLASS-FILLED, UL 94V-0, COLOR: BLACK
SIGNAL PIN - COPPER ALLOY
 - FINISHES:
CONTACT AREA: SELECTIVE GOLD (Au)
PCB TAILS: SELECTIVE TIN/LEAD (Sn/Pb)
OR SELECTIVE MATTE TIN (Sn)
NICKEL (Ni) OVERALL.
 - THIS PART CONFORMS TO MOLEX PRODUCT SPECIFICATION PS-74031-999
 - FOR MIXED CONTACT LENGTHS CONSULT MOLEX FOR AVAILABILITY
 - FOR SPECIFIC MATERIAL NUMBERS & MATING INFORMATION REFER TO SHEET 2
 - PACKAGE PER PK-74061-003
 - EITHER MARK PART WITH PART NUMBER & DATE CODE APPROXIMATELY WHERE SHOWN OR PLACE LABEL ON THE TUBE.



ADD LEADFREE PNs EC NO: UCP2006-0059 DRWN: KMLVEY 2005/07/13 CHKD: 2005/07/13 APPR: SREED 2005/07/15	DESCRIPTION REV	QUALITY SYMBOLS ▽=0 ▽=0	GENERAL TOLERANCES (UNLESS SPECIFIED) <table border="1"> <thead> <tr> <th></th> <th>mm</th> <th>INCH</th> </tr> </thead> <tbody> <tr> <td>4 PLACES</td> <td>± ---</td> <td>± ---</td> </tr> <tr> <td>3 PLACES</td> <td>± ---</td> <td>± ---</td> </tr> <tr> <td>2 PLACES</td> <td>± ---</td> <td>± ---</td> </tr> <tr> <td>1 PLACE</td> <td>± ---</td> <td>± ---</td> </tr> </tbody> </table>		mm	INCH	4 PLACES	± ---	± ---	3 PLACES	± ---	± ---	2 PLACES	± ---	± ---	1 PLACE	± ---	± ---	DIMENSION STYLE MM ONLY	SCALE 2.5:1	DESIGN UNITS METRIC	THIRD ANGLE PROJECTION
			mm	INCH																		
		4 PLACES	± ---	± ---																		
		3 PLACES	± ---	± ---																		
2 PLACES	± ---	± ---																				
1 PLACE	± ---	± ---																				
DRAWN BY: MBANDURA DATE: 2002/10/09 CHECKED BY: DATE: 2002/10/09 APPROVED BY: CBIXLER DATE: 2002/10/09			TITLE VHDM LITE 8 ROW SIGNAL END BACKPLANE SALES ASSEMBLY																			
MATERIAL NO. SEE SHEET 2			DOCUMENT NO. SD-75198-001																			
DRAFT WHERE APPLICABLE MUST REMAIN WITHIN DIMENSIONS			SHEET NO. 1 OF 2																			

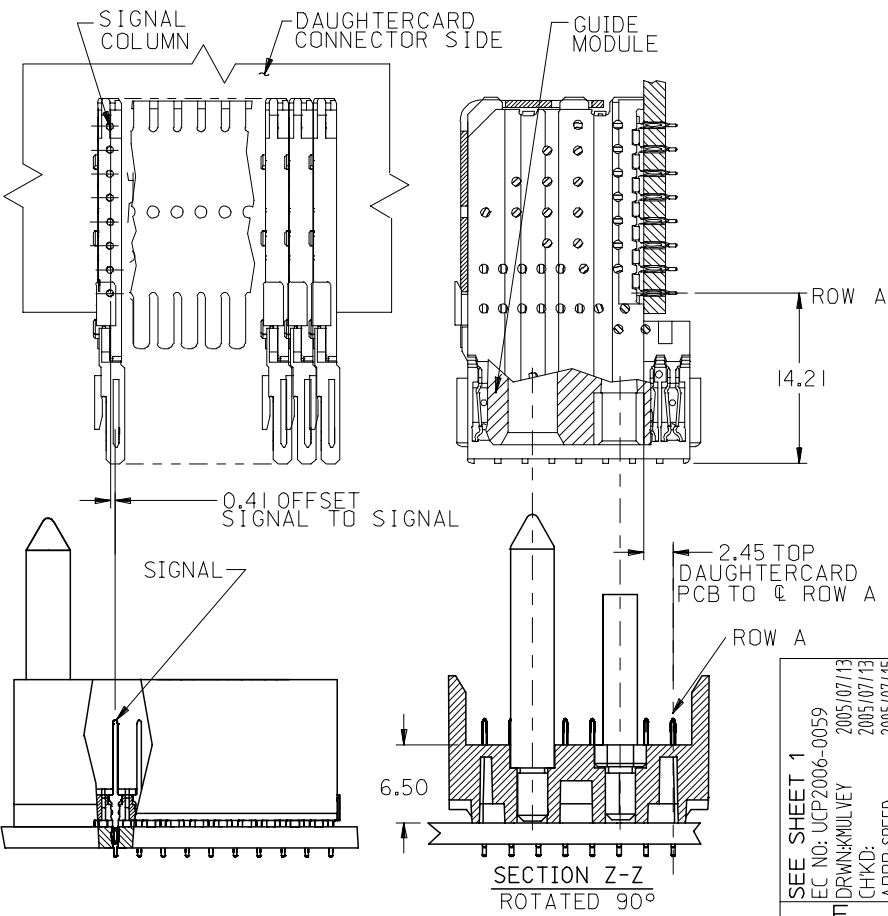
10 9 8 7 6 5 4 3 2 1

M/N 75198-()	-**0*	-**1*	-**2*	-**3*	-**4*	-**5*	-**6*	-**7*	-**8*
KEYING PIN ORIENTATION	O	A	B	C	D	E	F	G	H

75198 - * * * *

NUMBER OF COLUMNS/PLATING
 10 = 10 COLUMN TIN/LEAD
 25 = 25 COLUMN TIN/LEAD
 90 = 10 COLUMN MATTE TIN
 85 = 25 COLUMN MATTE TIN

CONTACT LOAD
 (PIN HEIGHT)
 1 = 4.75
 2 = 6.25
 3 = 4.25
 4 = 5.15



PART NUMBER	COLUMN	NUMBER OF SIGNAL PIN	NUMBER OF SHIELD	A	B	M	Au (um) THICKNESS	Sn (um) THICKNESS
75198-*0*1	10	80	0	27.00	18.00	4.75	0.76	0.76-1.52
75198-*5*1	25	200	0	57.00	48.00	4.75	0.76	
75198-*0*2	10	80	0	27.00	18.00	6.25	0.76	
75198-*5*2	25	200	0	57.00	48.00	6.25	0.76	
75198-*0*3	10	80	0	27.00	18.00	4.25	0.76	
75198-*5*3	25	200	0	57.00	48.00	4.25	0.76	
75198-*0*4	10	80	0	27.00	18.00	5.15	0.76	
75198-*5*4	25	200	0	57.00	48.00	5.15	0.76	

SEE SHEET 1 EC NO: UCP2006-0059 DRWN: KMILVEY 2005/07/13 CHKD: 2005/07/13 APPR: SREED 2005/07/15	QUALITY SYMBOLS	GENERAL TOLERANCES (UNLESS SPECIFIED)	DIMENSION STYLE MM ONLY	SCALE 2.5:1	DESIGN UNITS METRIC	THIRD ANGLE PROJECTION
	▽=0	4 PLACES ± --- ± ---	DRAWN BY MBANDURA	DATE 2002/10/09	TITLE VHDM LITE 8 ROW SIGNAL END BACKPLANE SALES ASSEMBLY	
	▽=0	3 PLACES ± --- ± ---	CHECKED BY NMARTIN	DATE 2002/10/09	MOLEX INCORPORATED	
	ANGULAR ±1/2°	2 PLACES ± --- ± ---	APPROVED BY CBIXLER	DATE 2002/10/09	MATERIAL NO. SEE CHART	DOCUMENT NO. SD-75198-001
		DRAFT WHERE APPLICABLE MUST REMAIN WITHIN DIMENSIONS	THIS DRAWING CONTAINS INFORMATION THAT IS PROPRIETARY TO MOLEX INCORPORATED AND SHOULD NOT BE USED WITHOUT WRITTEN PERMISSION			

9 8 7 6 5 4 3 2 1