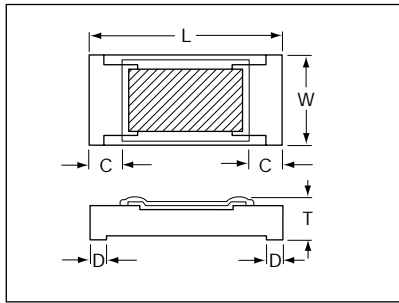


Thick Film Chip Resistors

CR05 / CR10 / CR21 / CR32 Series



HOW TO ORDER

CR 32 - 101 J - I

① ② ③ ④ ⑤

① **Style:** CR = Chip resistor; CJ = Zero ohm jumper

② **Case Size:**

05 = 0402 10 = 0603
21 = 0805 32 = 1206

③ **Resistance Code:**

G, J, and K tolerances = 2 significant digits plus number of zeros
F tolerance = 3 significant digits plus number of zeros
Zero ohm jumper = 000

④ **Resistance Tolerance:**

Blank = Jumper K = ±10%

G = ±2% J = ±5%

F = ±1% (available in case size CR10, CR21 and CR32 only)

⑤ **Packaging**

Standard Packaging:

	BULK	TAPE & REEL	
		7"	10"
CR05	1,000	10,000	50,000
CR10	1,000	5,000	10,000
CR21	1,000	5,000	10,000
CR32	1,000	5,000	10,000

Dimensions:

	CR05 (0402)		CR10 (0603)		CR21 (0805)		CR32 (1206)	
L	1.00 ±0.05	(.039 ±.002)	1.60 ±0.10	(.063 ±.004)	2.00 ±0.10	(.079 ±.004)	3.10 ±0.10	(.122 ±.004)
W	0.50 ±0.05	(.020 ±.002)	0.80 ^{+0.15} _{-0.10}	(.031 ^{+0.006} _{-.004})	1.25 ^{+0.15} _{-0.10}	(.049 ^{+0.006} _{-.004})	1.55 ^{+0.15} _{-0.10}	(.061 ^{+0.006} _{-.004})
T	0.35 ±0.05	(.014 ±.002)	0.50 ±0.10	(.020 ±.004)	0.55 ±0.10	(.022 ±.004)	0.55 ^{+0.10} _{-0.05}	(.022 ^{+0.004} _{-.002})
C	0.20 ±0.15	(.008 ±.006)	0.25 ±0.20	(.010 ±.008)	0.35 ±0.20	(.014 ±.008)	0.45 ±0.20	(.018 ±.008)
D	0.20 ±0.10	(.008 ±.004)	0.20 ^{+0.20} _{-0.15}	(.008 ^{+0.008} _{-.006})	0.40 ±0.20	(.016 ±.008)	0.45 ±0.20	(.018 ±.008)

Temperature Coefficient of Resistance

Tolerance	CR05						CR10						
	F (±1%)	J (±5%)		K (±10%)		F (±1%)	G (±2%)		J (±5%)		K (±10%)		
Resistance Range	10Ω 1MΩ	10Ω 1MΩ	1MΩ 2.2MΩ	2.2Ω 10Ω	10Ω 1MΩ	1MΩ 10MΩ	10Ω 100Ω	100Ω 1MΩ	10Ω 1MΩ	1MΩ 2.2Ω	1.0Ω 10Ω	10Ω 1MΩ	1MΩ 10MΩ
TCR (ppm/°C)	±100	±250	-500 +300	-100 +600	±250	-500 +300	±100	±100*	±200	-500 +300	-100 +600	±200	-500 +300

Tolerance	CR21								CR32											
	D (±0.5%)	F (±1%)		G (±2%)		J (±5%)		K (±10%)		D (±0.5%)	F (±1%)		G (±2%)		J (±5%)		K (±10%)			
Resistance Range	10Ω 1MΩ	10Ω 100MΩ	100Ω 1MΩ	10Ω 1MΩ	1MΩ 2.2MΩ	1.0Ω 10Ω	10Ω 1MΩ	1MΩ 10MΩ	0.47Ω 1.0Ω	1.0Ω 10Ω	10Ω 1MΩ	10Ω 10MΩ	1MΩ 10MΩ	10Ω 1MΩ	10Ω 10MΩ	10Ω 1MΩ	0.36Ω 1.0Ω	1.0Ω 1MΩ	10Ω 10MΩ	
TCR (ppm/°C)	±100	±100	±100	±200	-500 +300	-100 +600	±200	-500 +300	-100 +1000	-100 +600	±200	-500 +300	±100	±100	±100	±200	-500 +300	-100 +600	±200	-500 +300

Chip Resistor Ratings

Spec \ Style	CR05 (0402)						CR10 (0603)				CR21 (0805)				CR32 (1206)				
Power	0.603 (1/16) W						0.603 (1/10) W				0.100 (1/8) W				0.125 (1/4) W				
Voltage	50V						50V				100V				200V				
Tolerance	F (±1%)	J (±5%)	K (±10%)	F (±1%)	G (±2%)	J (±5%)	K (±10%)	D (±0.5%)	F (±1%)	G (±2%)	J (±5%)	K (±10%)	D (±0.5%)	F (±1%)	G (±2%)	J (±5%)	K (±10%)		
Value Range	10Ω 1MΩ	10Ω 2.2 MΩ	2.2Ω 10MΩ	10Ω 1MΩ	10Ω 2.2MΩ	1.0Ω 10MΩ	10Ω 1MΩ	10Ω 1MΩ	10Ω 2.2MΩ	1.0Ω 10MΩ	10Ω 10MΩ	10Ω 1MΩ	10Ω 1MΩ	10Ω 2.2MΩ	1.0Ω 10MΩ	10Ω 10MΩ	1.0Ω 10MΩ	0.36Ω 1.0Ω	1.0Ω 10MΩ
Working Temperature	-55°C ~ +125°C																		

Additional information on this product is available from AVX's catalog or AVX's FAX Service.
Call 1-800-879-1613 and request document #095. Visit our website <http://www.avxcorp.com>