



TUL1203

Preliminary

NPN SILICON TRANSISTOR

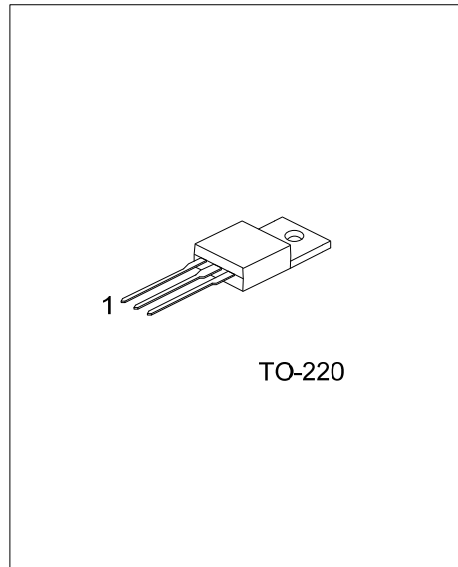
HIGH VOLTAGE FAST-SWITCHING NPN POWER TRANSISTOR

DESCRIPTION

The **TUL1203** is manufactured by using high voltage Planar technology for high voltage capability and high switching speeds.

FEATURES

- * BV_{CES} Up To 1400V.
- * Better Distribution Of Dynamic Parameters And Lot To Lot Spread
- * High Switching Speed



ORDERING INFORMATION

Ordering Number		Package	Pin Assignment			Packing
Lead Free Plating	Halogen-Free		1	2	3	
TUL1203L-TA3-T	TUL1203G-TA3-T	TO-220	B	C	E	Tube

<p>TUL1203L-TA3-T</p> <p>(1)Packing Type (2)Package Type (3)Lead Plating</p>	<p>(1) T: Tube (2) TA3: TO-220 (3) G: Halogen Free, L: Lead Free</p>
--	--

■ ABSOLUTE MAXIMUM RATINGS

PARAMETER	SYMBOL	RATINGS	UNIT
Collector-Base Voltage ($I_E = 0$)	V_{CBO}	1400	V
Collector-Emitter Voltage ($V_{BE} = 0$)	V_{CES}	1400	V
Collector-Emitter Voltage ($I_B = 0$)	V_{CEO}	550	V
Emitter-Base Voltage ($I_C = 0$)	V_{EBO}	12	V
Collector Current	I_C	5	A
Collector Peak Current ($t_p < 5$ ms)	I_{CM}	8	A
Base Current	I_B	2	A
Base Peak Current ($t_p < 5$ ms)	I_{BM}	4	A
Power Dissipation ($T_C = 25^\circ\text{C}$)	P_D	100	W
Junction Temperature	T_J	+150	$^\circ\text{C}$
Storage Temperature	T_{STG}	-65 ~ +150	$^\circ\text{C}$

Note: Absolute maximum ratings are the values beyond which the device will be damaged permanently.

Absolute maximum ratings are only stress ratings and it is not implied for functional device operation.

■ THERMAL DATA

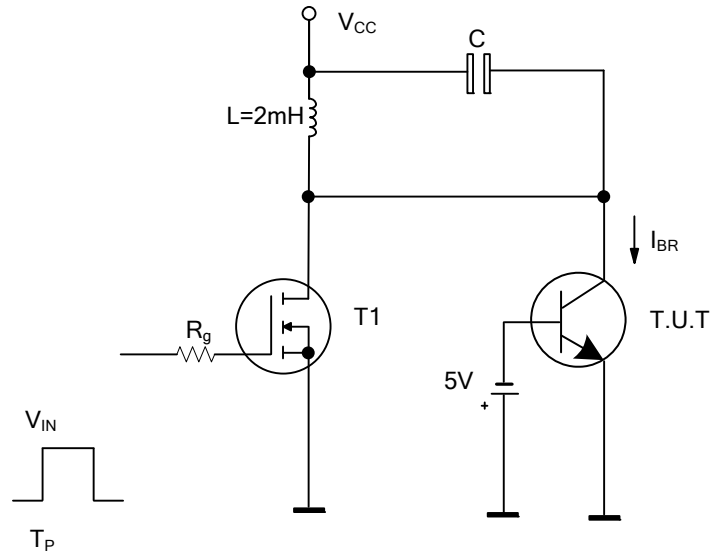
PARAMETER	SYMBOL	RATINGS	UNIT
Junction to Case	θ_{JC}	1.25	$^\circ\text{C}/\text{W}$

■ ELECTRICAL CHARACTERISTICS ($T_C = 25^\circ\text{C}$ unless otherwise specified)

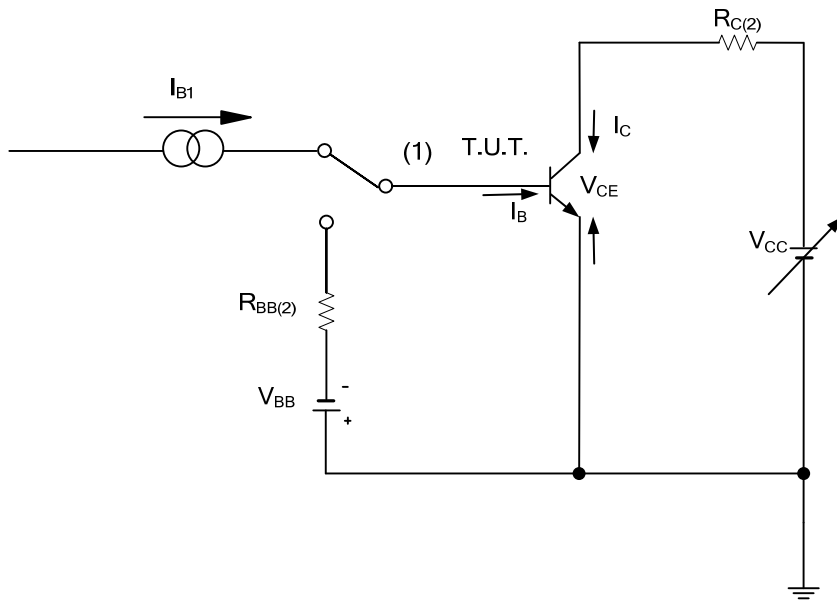
PARAMETER	SYMBOL	TEST CONDITIONS	MIN	TYP	MAX	UNIT	
Collector Cut-off Current ($V_{BE} = 0$)	I_{CES}	$V_{CE} = 1400$ V			100	μA	
Emitter Cut-off Current ($I_B = 0$)	I_{EBO}	$V_{EB} = 12$ V			100	μA	
Collector-Emitter Sustaining Voltage ($I_B = 0$) (Note)	$V_{CEO(SUS)}$	$I_C = 100$ mA	550			V	
Collector-Emitter Saturation Voltage (Note)	$V_{CE(SAT)}$	$I_C = 1$ A, $I_B = 200$ mA			0.5	V	
		$I_C = 2$ A, $I_B = 400$ mA			0.7	V	
		$I_C = 3$ A, $I_B = 1$ A			1.5	V	
Base-Emitter Saturation Voltage (Note)	$V_{BE(SAT)}$	$I_C = 2$ A, $I_B = 400$ mA			1.5	V	
		$I_C = 3$ A, $I_B = 1$ A			1.5	V	
DC Current Gain (Note)	h_{FE}	$I_C = 1$ mA, $V_{CE} = 5$ V	10				
		$I_C = 10$ mA, $V_{CE} = 5$ V	10				
		$I_C = 0.8$ mA, $V_{CE} = 3$ V	14		32		
		$I_C = 2$ A, $V_{CE} = 5$ V	9		28		
Resistive Load	Storage Time	t_s	$I_C = 2$ A, $V_{CC} = 150$ V $I_{B1} = 0.4$ A, $I_{B2} = -0.8$ A $T_P = 30$ μs		2.5	3.0	μs
	Fall Time	t_f			0.2	0.3	μs
Avalanche Energy	E_{AR}	$L = 2$ mH, $C = 1.8$ nF $I_{BR} \leq 2.5$ A, $25^\circ\text{C} < T_C < 125^\circ\text{C}$	6			mJ	

Note: Pulse Test: Pulse width = 300 μs , Duty cycle $\leq 1.5\%$

TEST CIRCUITS



Energy Rating Test Circuit



Resistive Load Switching Test Circuit

UTC assumes no responsibility for equipment failures that result from using products at values that exceed, even momentarily, rated values (such as maximum ratings, operating condition ranges, or other parameters) listed in products specifications of any and all UTC products described or contained herein. UTC products are not designed for use in life support appliances, devices or systems where malfunction of these products can be reasonably expected to result in personal injury. Reproduction in whole or in part is prohibited without the prior written consent of the copyright owner. The information presented in this document does not form part of any quotation or contract, is believed to be accurate and reliable and may be changed without notice.