

Electrical Characteristics

(Unless otherwise specified, condition shall be $V_{IN}=5V, V_O=3.3, ^{*4}, R_1=2k\Omega, R_2=500\Omega, V_C=2.7V, T_a=25^\circ C$)

Parameter	Symbol	Conditions	MIN.	TYP.	MAX.	Unit
Input voltage	V_{IN}	-	3.5	-	24	V
Output voltage	V_O	-	3.0	-	20	V
Load regulation	Reg_L	*5	-	-	2.0	%
Line regulation	Reg_L	$V_{IN}=4$ to $10V, I_O=5mA$	-	-	2.5	%
Ripple rejection	RR	Refer to Fig.2	45	60	-	dB
Reference voltage	V_{ref}	*4	2.574	2.64	2.706	V
Temperature coefficient of reference voltage	$T_C V_{ref}$	$T_j=0$ to $+125^\circ C, I_O=5mA$	-	± 1.0	-	%
Dropout voltage	V_{I-O}	$^{*4}, ^{*6}$	-	-	0.5	V
Quiescent current	I_q	$I_O=0A$	-	-	8	mA
*7 ON-state voltage for control	$V_{C(ON)}$	-	2.0	-	-	V
ON-state current for control	$I_{C(ON)}$	-	-	-	200	μA
OFF-state voltage for control	$V_{C(OFF)}$	$I_O=0A$	-	-	0.8	V
OFF-state current for control	$I_{C(OFF)}$	$I_O=0A, V_C=0.4V$	-	-	2.0	μA
Output OFF-state consumption current	I_{qs}	$I_O=0A, V_C=0.4V$	-	-	5.0	μA

*4 PQ20WZ51J00H: $I_O=0.3A$, PQ20WZ11J00H: $I_O=0.5A$

*5 PQ20WZ51J00H: $I_O=5mA$ to $0.5A$, PQ20WZ11J00H: $I_O=5mA$ to $1.0A$

*6 Input voltage shall be the value when output voltage is 95% in comparison with the initial value.

*7 In case of opening control terminal ②, output voltage turns off.

Fig.1 Test Circuit

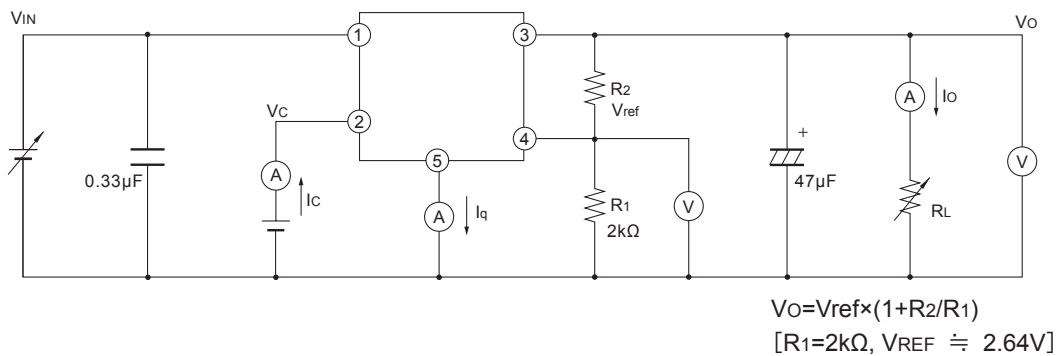


Fig.2 Test Circuit for Ripple Rejection

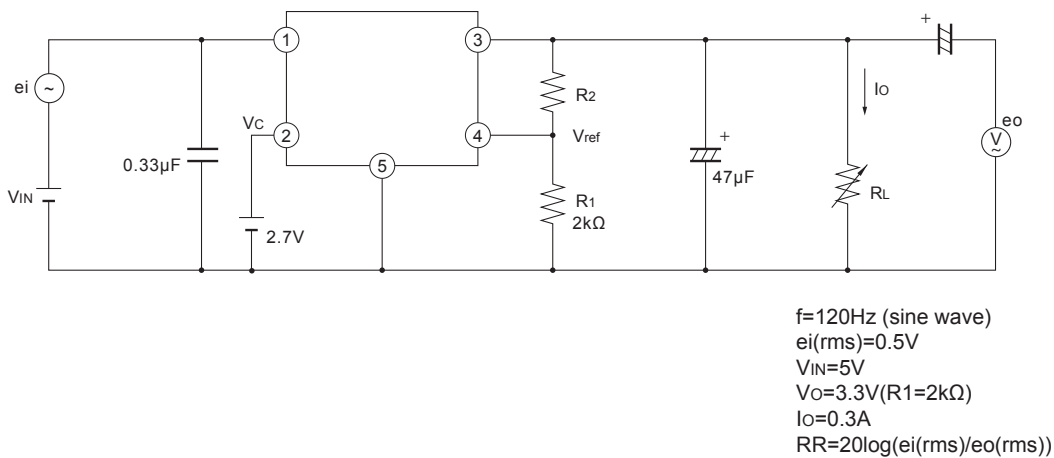
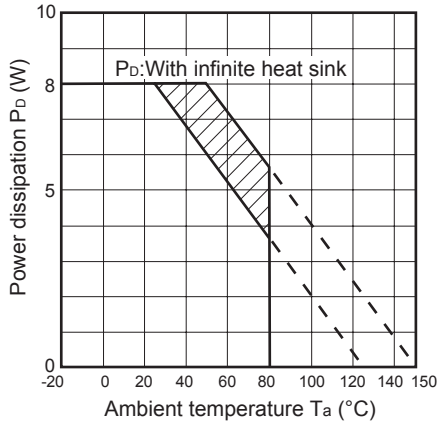


Fig.3 Power Dissipation vs. Ambient Temperature



Note) Oblique line portion: Overheat protection may operate in this area.

Fig.4 Overcurrent Protection Characteristics (Typical Value)(PQ20WZ51J00H)

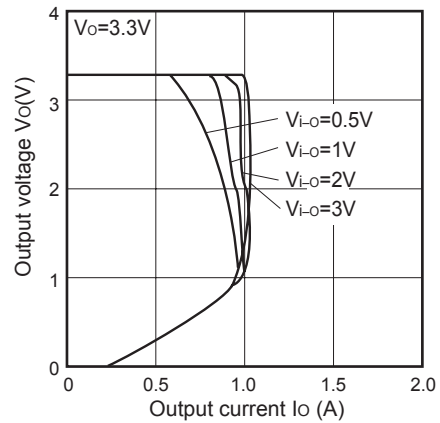


Fig.5 Overcurrent Protection Characteristics (Typical Value)(PQ20WZ11J00H)

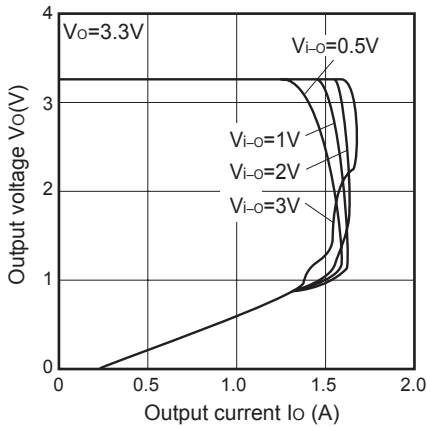


Fig.6 Output Voltage Adjustment Characteristics

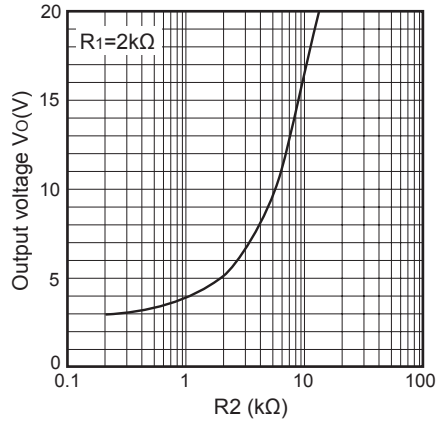


Fig.7 Reference Voltage Deviation vs. Junction Temperature (Typical Value)

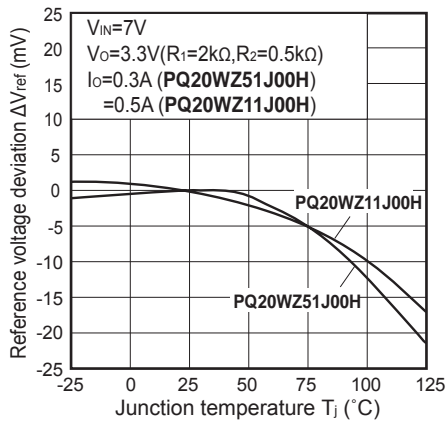


Fig.8 Output Voltage vs. Input Voltage (PQ20WZ51J00H)

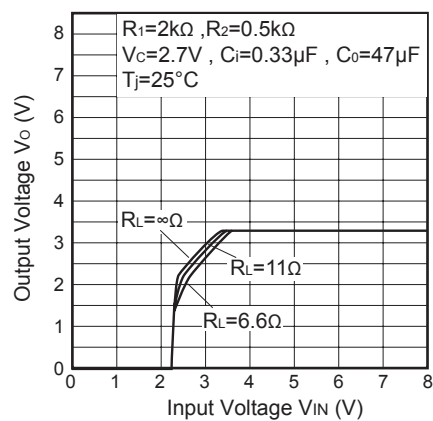


Fig.9 Output Voltage vs. Input Voltage (PQ20WZ11J00H)

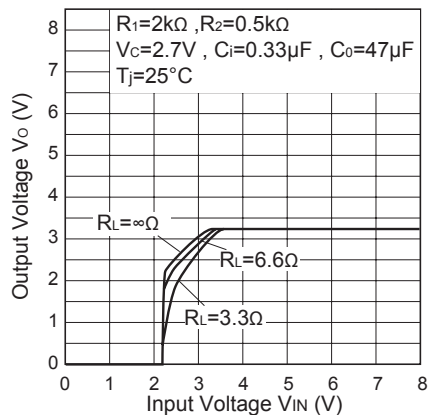


Fig.10 Dropout Voltage vs. Junction Temperature (PQ20WZ51J00H)

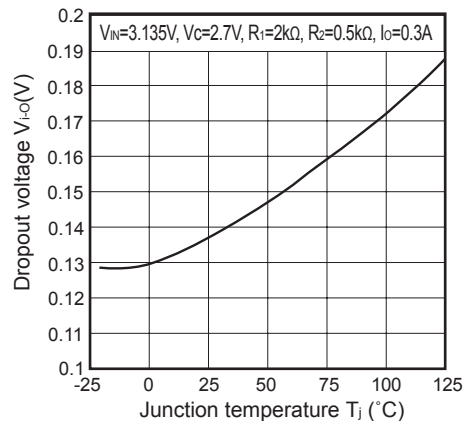


Fig.11 Dropout Voltage vs. Junction Temperature (PQ20WZ11J00H)

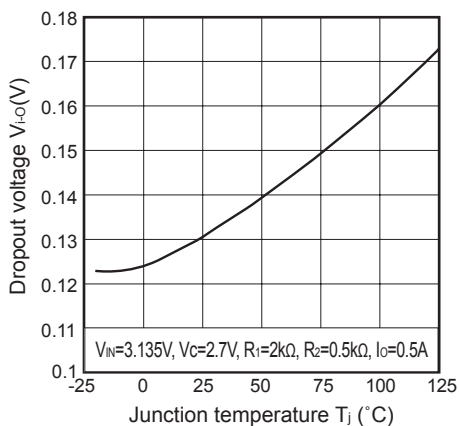


Fig.12 Quiescent Current vs. Junction Temperature

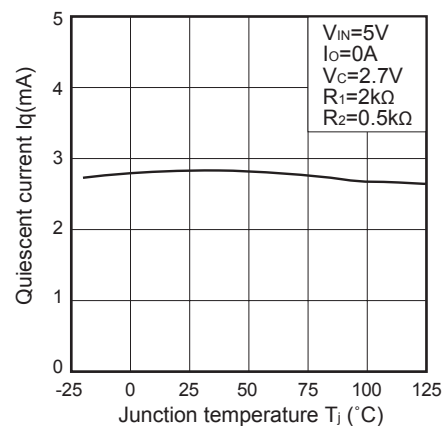


Fig.13 Ripple Rejection vs. Input Ripple Frequency

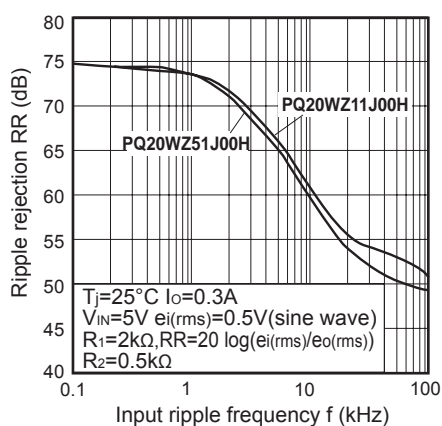


Fig.14 Ripple Rejection vs. Output Current (PQ20WZ51J00H)

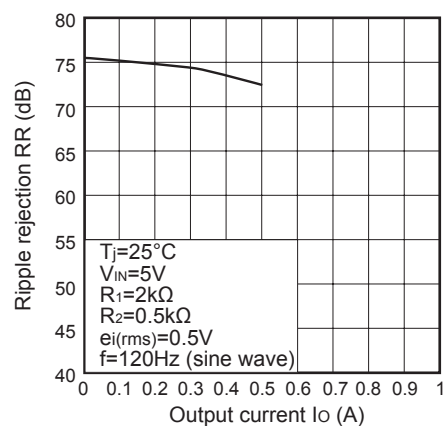


Fig.15 Ripple Rejection vs. Output Current (PQ20WZ11J00H)

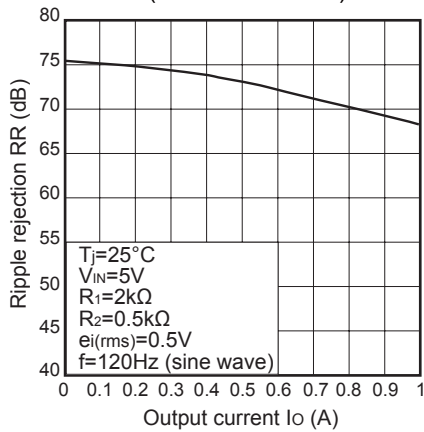


Fig.16 Circuit Operating Current vs. Input Voltage (PQ20WZ51J00H)

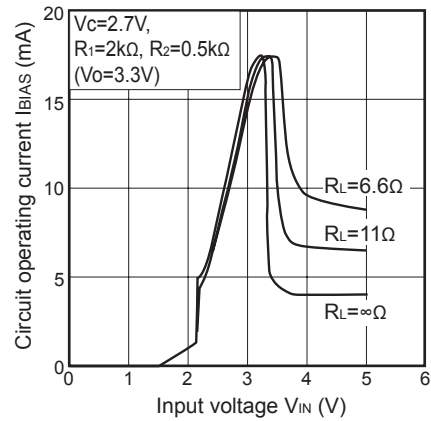


Fig.17 Circuit Operating Current vs. Input Voltage (PQ20WZ11J00H)

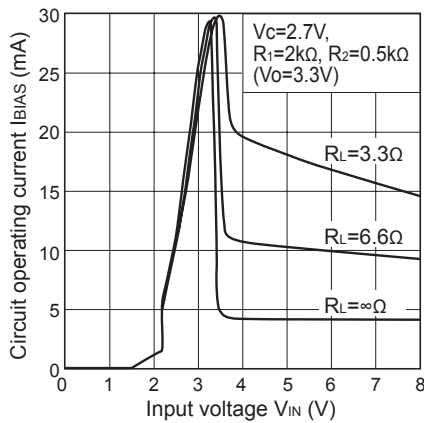
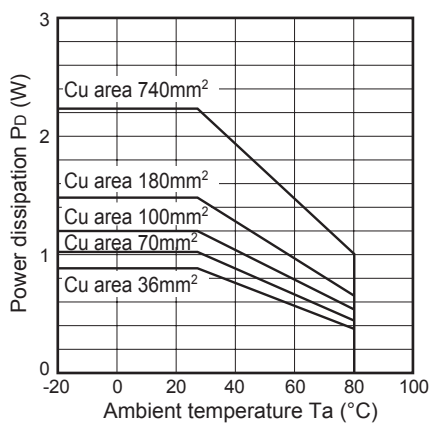
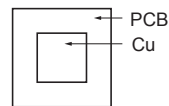


Fig.18 Power Dissipation vs. Ambient Temperature



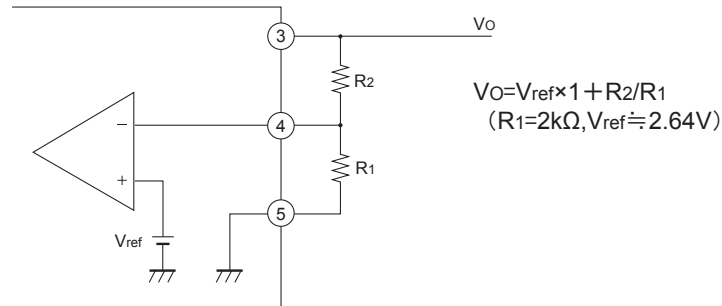
Mounting PCB



Material : Glass-cloth epoxy resin
 Size : 50×50×1.6mm
 Cu thickness : 35μm

■ Setting of Output Voltage

Output voltage is able to set from 3V to 20V when resistors R₁ and R₂ are attached to ,③、④、⑤ terminals. As for the external resistors to set output voltage, refer to the figure below and Fig.6.



■ Typical Application

