



JMB352U

High-Speed USB & SATA II Combo to Dual SATA II Port Multiplier(1 to 2) Bridge

Description

The JMB352U is a bridge controller, which translates the communication protocol between SATA II 3.0G. This chip integrated 60MIPS 8051, and provide eSATA II 3.0G to dual SATA II 3.0G port multiplier applications in a single chip.

In this chip, the SATA controller could be configured as host or device. The 3-port SATA II 3.0G controllers further supports the eSATA to dual SATA communication. Integrated these two technologies, the user could perform JMB352U to the following applications.

- eSATA to dual SATA bridge port multiplier application
- One-button system backup application for above applications. (With SATA Vendor Software Application)

Features

- Compliance with Serial ATA International Organization: Serial ATA Revision 2.6
- Compliance with Gen1i, Gen1m, Gen2i and Gen2m of Serial ATA International Organization: Serial ATA Revision 2.6
- Support SATA 1.5G/3.0G Speed Negotiation
- Support SATA II Asynchronous Signal Recovery (Hot Plug) feature
- Support SATA Host/Device controller configuration
- Support USB HID Interrupt Transfer
- Support ATA/ATAPI PACKET command feature set
- Support SATA 30MHz or 40MHz external crystal

Quick Reference

Signal Bit Rate	3.0 Gbps
Power Supply	3.3V and 1.2V
GPIO Support	UP to 9
ESD Protection	2000 V
Package	64-pin LQFP
RAID Level Support	JBOD, Port Multiplier
SATA Port	3
USB Port	1



- Integrated 60MIPS 8051 microprocessor with 64k-byte mask ROM
- Support one-button system backup operation
- Support one-button disk copy
- Support external NVRAM for customer VID/PID, Manufacture and Product String.

<p>Applications</p>	<ul style="list-style-type: none"> • Mass storage devices • Optical storage • Storage system • Port Multiplier
---------------------	--

Functional Block Diagram

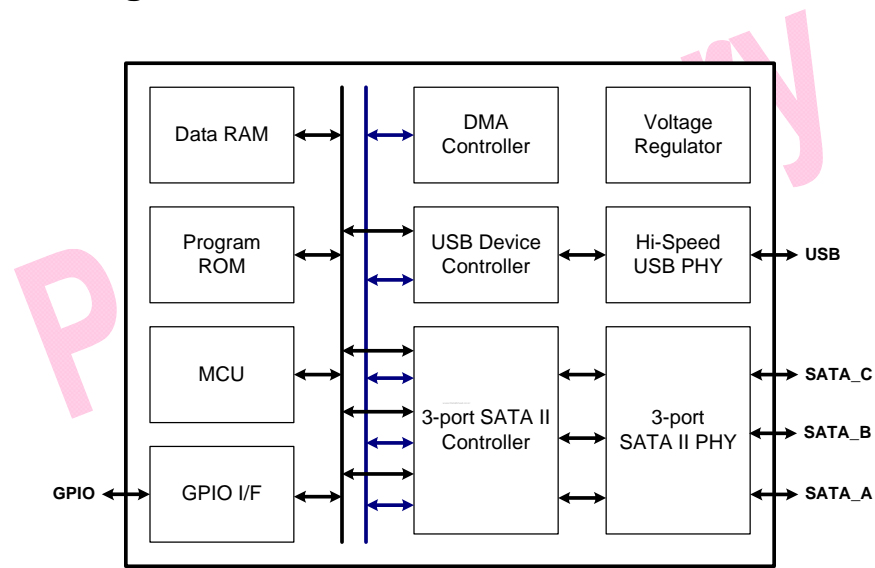


Fig. 1 Functional Block Diagram of JMB352U

Applications

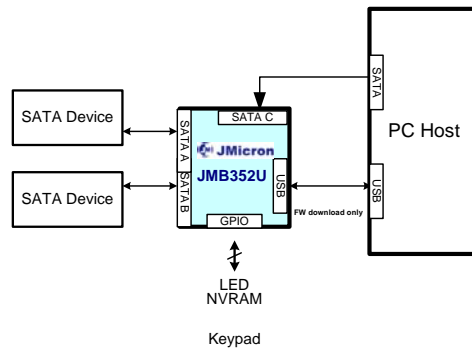


Fig. 2 eSATA to dual SATA port multiplier application

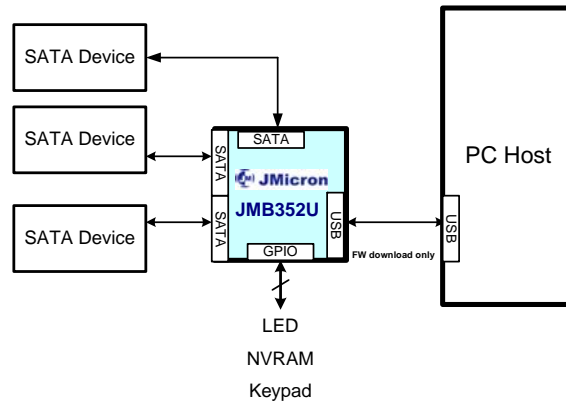


Fig. 3 Hi-Speed USB to SATA with 3 LUN bridge application

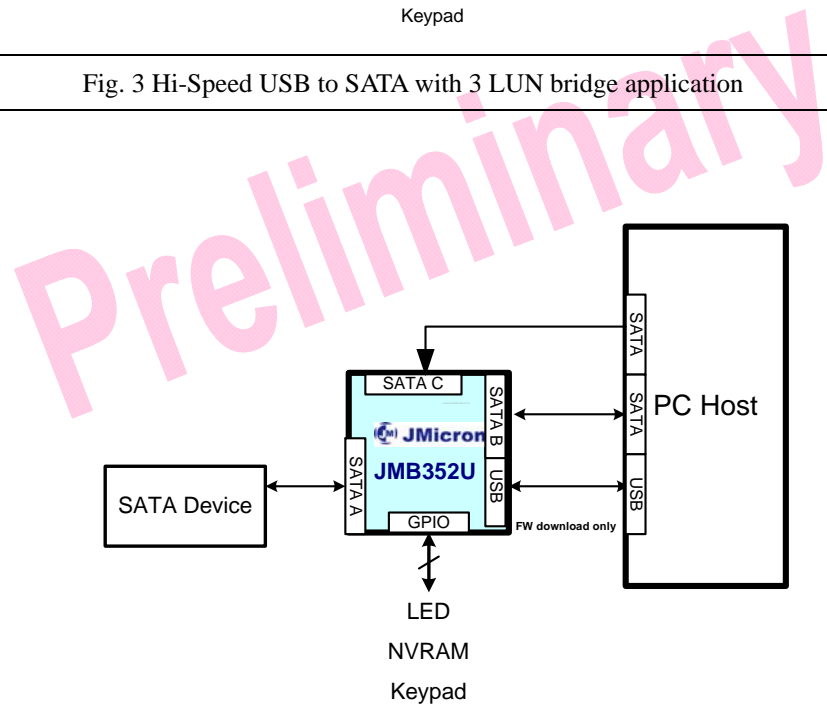


Fig. 4 Dual eSATA(Port B & Port C) & Hi-Speed USB to SATA application

Product Information

Name	Description
JMB352	Serial ATA Bridge Chip

Design Kit

1	JMB352 Data Sheet
2	JMB352 Design Guide
3	Application EVB

Contact Information

Department	Email
Sales	sales@jmicron.com
Tech. Support	fae@jmicron.com