

6

5

4

3

2

1

D

D

C

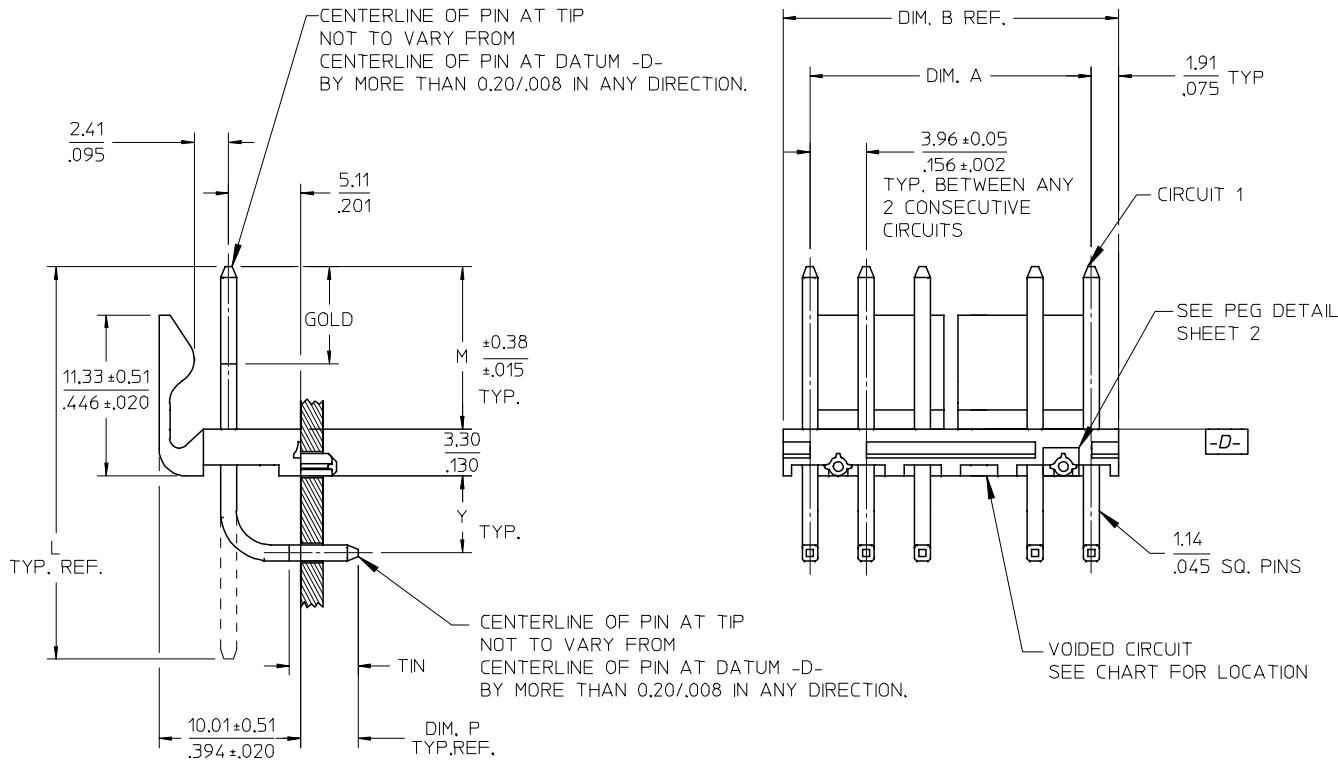
C

B

B

A

A



NO. OF CKTS.	DIM. A	DIM. B
2	3.96±0.05	7.77
	.156±.002	.306
3	7.92±0.08	11.73
	.312±.003	.462
4	11.89±0.08	15.70
	.468±.003	.618
5	15.85±0.10	19.66
	.624±.004	.774
6	19.81±0.10	23.62
	.780±.004	.930
7	23.77±0.10	27.58
	.936±.004	1.086
8	27.74±0.13	31.55
	1.092±.005	1.242
9	31.70±0.13	35.51
	1.248±.005	1.398
10	35.66±0.13	39.47
	1.404±.005	1.554
11	39.62±0.15	43.43
	1.560±.006	1.710
12	43.59±0.15	47.40
	1.716±.006	1.866
13	47.55±0.15	51.36
	1.872±.006	2.022
14	51.51±0.18	55.32
	2.028±.007	2.178
15	55.47±0.18	59.28
	2.184±.007	2.334
16	59.44±0.18	63.25
	2.340±.007	2.490
17	63.40±0.20	67.21
	2.496±.008	2.646
18	67.36±0.20	71.17
	2.652±.008	2.802

ADD P/N	42492-0462
EC NO:	UCP2005-2700
DRWN:ADERR	2005/06/08
CHKD:AELHAG	2005/06/09
APPR:BWIRKUS	2005/06/13
DESCRIPTION	
REV	

GEN.DOCS.	3-*	F1
ANNNOTATOR	1, 2	F1
SOFTWARE	SHEET	REV

QUALITY SYMBOLS	DESCRIPTION
▽=0	
▽=0	

GENERAL TOLERANCES (UNLESS SPECIFIED)	
	mm INCH
4 PLACES	± --- ± ---
3 PLACES	± --- ± .010
2 PLACES	± 0.25 ± .015
1 PLACE	± 0.38 ± ---
ANGULAR ± 1/2°	
DRAFT WHERE APPLICABLE MUST REMAIN WITHIN DIMENSIONS	

DIMENSION STYLE MM/IN	
DRAWN BY	DATE
JSCHAFFER	11-25-03
CHECKED BY	DATE
SAMIEC	11-26-03
APPROVED BY	DATE
MARGULIS	12-1-03
MATERIAL NO.	
SEE CHART	
SIZE	
A	

SCALE 2:1	DESIGN UNITS INCH	THIRD ANGLE PROJECTION
TITLE		
KK 156 HEADER ASSEMBLY FRICTION LOCK RTAN WITH PEGS		
MOLEX INCORPORATED		
DOCUMENT NO.	SHEET NO.	
SD-42492-001	1 OF 6	

5

4

3

2

1

6

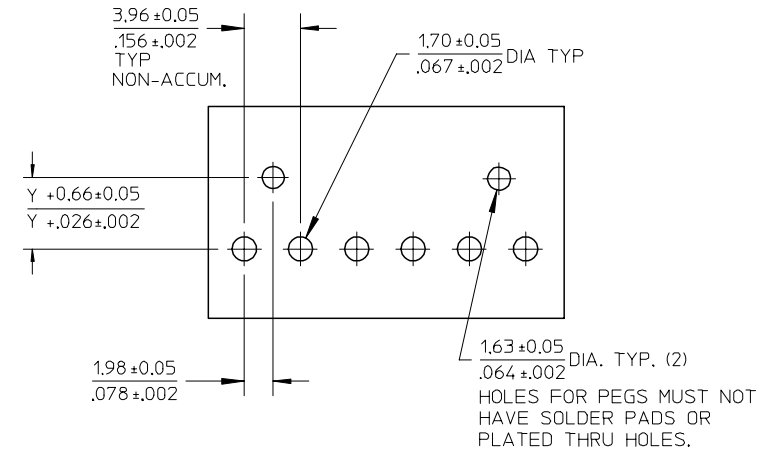
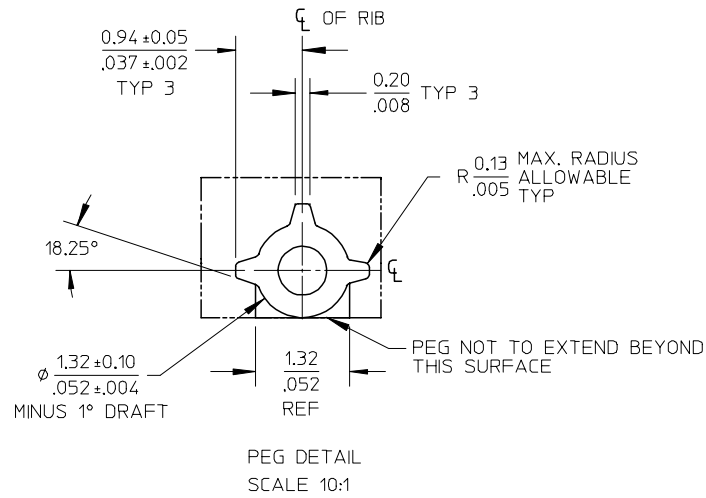
5

4

3

2

1



## NOTES:

- MATERIAL: HEADER-POLYESTER, 94V-0, MOLDED NATURAL  
PINS: BRASS
- FINISHES: (102) OVERALL TIN 0.00508/.000200 MIN OVER 0.00254/.000100 MIN. COPPER.  
(208) SELECT GOLD 0.00038/.000015 MIN.  
SELECT TIN 0.00254/.000100 MIN.  
OVERALL NICKEL UNDERPLATE 0.00127/.000050 MIN.  
(228) SELECT GOLD 0.00076/.000030 MIN.  
SELECT TIN 0.00254/.000100 MIN.  
OVERALL NICKEL UNDERPLATE 0.00127/.00005 MIN.
- PRODUCT SPECIFICATION: SEE PS-08-50.
- SOLDERABILITY: PER SMES-152.
- PIN PUSH OUT FORCE: PRIOR TO SOLDERING, A 3 LB MINIMUM FORCE (IN EITHER DIRECTION) SHALL BE REQUIRED TO PUSH THE PIN OUT OF THE HEADER.
- PARTS ARE STACKABLE END TO END ON 3.96/.156 CENTERS.
- FOR PART WITHOUT PEGS SEE 41792.

ADD P/N 42492-0462 EC NO: UCP2005-2700 DRWN:ADERR 2005/06/08 CHKD:AELHAG 2005/06/09 APPR:BWIRKUS 2005/06/13	QUALITY SYMBOLS ▽=0 ▽=0	GENERAL TOLERANCES (UNLESS SPECIFIED)		DIMENSION STYLE MM/IN		SCALE 1:1	DESIGN UNITS INCH	THIRD ANGLE PROJECTION	
			mm	INCH	DRAWN BY JSCHAFFER	DATE 11-25-03	TITLE KK 156 HEADER ASSEMBLY FRICTION LOCK RTAN WITH PEGS		
		4 PLACES	± ---	± ---	CHECKED BY SAMIEC	DATE 11-26-03			
		3 PLACES	± ---	± .010	APPROVED BY MARGULIS	DATE 12-1-03	MOLEX INCORPORATED		
			ANGULAR ± 1/2°		MATERIAL NO. SEE CHART	DOCUMENT NO. SD-42492-001	SHEET NO. 2 OF 6		
F1	REV	DRAFT WHERE APPLICABLE MUST REMAIN WITHIN DIMENSIONS		SIZE A	THIS DRAWING CONTAINS INFORMATION THAT IS PROPRIETARY TO MOLEX INCORPORATED AND SHOULD NOT BE USED WITHOUT WRITTEN PERMISSION				

5

4

3

2

1

OPTIONS	Group	A-42492-0002/0018	Group	A-42492-0319/0335	Group	A-42492-0336/0352	Group	
	Header No:	41790-0036/0052	Header No:	41790-0036/0052	Header No:	41790-0036/0052	Header No:	
	Pin No:	2161-37(102)	Pin No:	43294-0569	Pin No:	43294-0570	Pin No:	
	Plating:	102 – TIN	Plating:	208 – 15 GOLD	Plating:	228 – 30 GOLD	Plating:	
	Pin Length L	27.94/1.100	Pin Length L	27.94/1.100	Pin Length L	27.94/1.100	Pin Length L	
	Mating M	11.43 / .450	Mating M	11.43/ .450	Mating M	11.43/ .450	Mating M	
	Gold Loc G	N/A	Gold Loc G	6.86/ .270	Gold Loc G	6.86/ .270	Gold Loc G	
	Dim. Y	5.41/ .213	Dim. Y	5.41/ .213	Dim. Y	5.41/ .213	Dim. Y	
	PC Tail P	3.96 / .156	PC Tail P	3.96/ .156	PC Tail P	3.96/ .156	PC Tail P	
	Tin Loc T	OVERALL	Tin Loc T	4.83/ .190	Tin Loc T	4.83/ .190	Tin Loc T	
Voided Ckts	NONE	Voided Ckts	NONE	Voided CKts	NONE	Voided Ckts		
Pack Per	PK-42492-002	Pack Per	PK-42492-002	Pack Per	PK-42492-002	Pack Per		
Ckts	Material No	Engineer Number	Material No	Engineer Number	Material No	Engineer Number	Material No	Engineer Number
2	26-64-5020	A-42492-0002	42492-0319	A-42492-0319	42492-0336	A-42492-0336		
3	26-64-5030	A-42492-0003	42492-0320	A-42492-0320	42492-0337	A-42492-0337		
4	26-64-5040	A-42492-0004	42492-0321	A-42492-0321	42492-0338	A-42492-0338		
5	26-64-5050	A-42492-0005	42492-0322	A-42492-0322	42492-0339	A-42492-0339		
6	26-64-5060	A-42492-0006	42492-0323	A-42492-0323	42492-0340	A-42492-0340		
7	26-64-5070	A-42492-0007	42492-0324	A-42492-0324	42492-0341	A-42492-0341		
8	26-64-5080	A-42492-0008	42492-0325	A-42492-0325	42492-0342	A-42492-0342		
9	26-64-5090	A-42492-0009	42492-0326	A-42492-0326	42492-0343	A-42492-0343		
10	26-64-5100	A-42492-0010	42492-0327	A-42492-0327	42492-0344	A-42492-0344		
11	26-64-5110	A-42492-0011	42492-0328	A-42492-0328	42492-0345	A-42492-0345		
12	26-64-5120	A-42492-0012	42492-0329	A-42492-0329	42492-0346	A-42492-0346		
13	26-64-5130	A-42492-0013	42492-0330	A-42492-0330	42492-0347	A-42492-0347		
14	26-64-5140	A-42492-0014	42492-0331	A-42492-0331	42492-0348	A-42492-0348		
15	26-64-5150	A-42492-0015	42492-0332	A-42492-0332	42492-0349	A-42492-0349		
16	26-64-5160	A-42492-0016	42492-0333	A-42492-0333	42492-0350	A-42492-0350		
17	26-64-5170	A-42492-0017	42492-0334	A-42492-0334	42492-0351	A-42492-0351		
18	26-64-5180	A-42492-0018	42492-0335	A-42492-0335	42492-0352	A-42492-0352		

REV: <b>F1</b>	SEE SHEET 1 6/13/2005	TITLE: <b>KK 156 HEADER ASSEMBLY FRICTION LOCK RT ANGLE WITH PEGS</b>	SHEET No. <b>- 3 -</b>
DOCUMENT NUMBER: <b>SD- 42492-001</b>	CREATED / REVISED BY: <b>ADERR</b>	CHECKED BY: <b>AELHAG</b>	APPROVED BY: <b>FSMITH</b>

OPTIONS	Group	A-42492-0036/0050	Group	A-42492-0244/0256	Group	A-42492-0258/0273	Group	A-42492-0274/0288
	Header No:	41790-0038/0052	Header No:	41790-0040/0052	Header No:	41790-0037/0052	Header No:	41790-0038/0052
	Pin No:	2161-37(102)	Pin No:	2161-37(102)	Pin No:	2161-37(102)	Pin No:	2161-37(501)
	Plating:	102 – TIN	Plating:	102 – TIN	Plating:	102 – TIN	Plating:	501 - GOLD
	Pin Length L	27.94/1.100	Pin Length L	27.94/1.100	Pin Length L	27.94/1.100	Pin Length L	27.94/1.100
	Mating M	11.43 / .450	Mating M	11.43/. 450	Mating M	11.43/. 450	Mating M	11.43/. 450
	Gold Loc G	N/A	Gold Loc G	N/A	Gold Loc G	N/A	Gold Loc G	OVERALL
	Dim. Y	5.41/ .213	Dim. Y	5.41/ .213	Dim. Y	5.41/ .213	Dim. Y	5.41/ .213
	PC Tail P	3.96 / .156	PC Tail P	3.96/ . 156	PC Tail P	3.96/. 156	PC Tail P	3.96/. 156
	Tin Loc T	OVERALL	Tin Loc T	OVERALL	Tin Loc T	OVERALL	Tin Loc T	N/A
Voided Ckts	4	Voided Ckts	6	Voided CKts	2	Voided Ckts	4	
Pack Per	PK-42492-002	Pack Per	PK-42492-002	Pack Per	PK-42492-002	Pack Per	PK-42492-002	
Ckts	Material No	Engineer Number	Material No	Engineer Number	Material No	Engineer Number	Material No	Engineer Number
2								
3								
4	26-64-5042	A-42492-0036			26-66-0031	A-42492-0258		
5	26-64-5052	A-42492-0037			26-66-0041	A-42492-0259	424-92-0274	A-42492-0274
6	26-64-5062	A-42492-0038	26-64-5061	A-42492-0244	26-66-0051	A-42492-0260	424-92-0275	A-42492-0275
7	26-64-5072	A-42492-0039	26-64-5071	A-42492-0245	26-66-0061	A-42492-0261	424-92-0276	A-42492-0276
8	26-64-5082	A-42492-0040	26-64-5081	A-42492-0246	26-66-0071	A-42492-0262	424-92-0277	A-42492-0277
9	26-64-5092	A-42492-0041	26-64-5091	A-42492-0247	26-66-0081	A-42492-0263	424-92-0278	A-42492-0278
10	26-64-5102	A-42492-0042	26-64-5101	A-42492-0248	26-66-0091	A-42492-0264	424-92-0279	A-42492-0279
11	26-64-5112	A-42492-0043	26-64-5111	A-42492-0249	26-66-0101	A-42492-0265	424-92-0280	A-42492-0280
12	26-64-5122	A-42492-0044	26-64-5121	A-42492-0250	26-66-0111	A-42492-0266	424-92-0281	A-42492-0281
13	26-64-5132	A-42492-0045	26-64-5131	A-42492-0251	26-66-0121	A-42492-0267	424-92-0282	A-42492-0282
14	26-64-5142	A-42492-0046	26-64-5141	A-42492-0252	26-66-0131	A-42492-0268	424-92-0283	A-42492-0283
15	26-64-5152	A-42492-0047	26-64-5151	A-42492-0253	26-66-0141	A-42492-0269	424-92-0284	A-42492-0284
16	26-64-5162	A-42492-0048	26-64-5161	A-42492-0254	26-66-0151	A-42492-0270	424-92-0285	A-42492-0285
17	26-64-5172	A-42492-0049	26-64-5171	A-42492-0255	26-66-0161	A-42492-0271	424-92-0286	A-42492-0286
18	26-64-5182	A-42492-0050	26-64-5181	A-42492-0256	26-66-0171	A-42492-0272	424-92-0287	A-42492-0287
					26-66-0181	A-42492-0273	424-92-0288	A-42492-0288

REV:	<b>F1</b>	SEE SHEET 1 6/13/2005	TITLE:	<b>KK 156 HEADER ASSEMBLY FRICTION LOCK RT ANGLE WITH PEGS</b>			SHEET No.	<b>- 4 -</b>
DOCUMENT NUMBER:	<b>SD- 42492-001</b>		CREATED / REVISED BY:	<b>ADERR</b>	CHECKED BY:	<b>AELHAG</b>	APPROVED BY:	<b>FSMITH</b>

OPTIONS	Group	A-42492-0289/0302	Group	A-42492-0303/0318	Group	A-42492-0019/0035	Group	A-42492-0400/0416
	Header No:	41790-0039/0052	Header No:	41790-0037/0052	Header No:	41790-0036/0052	Header No:	41790-0036/0052
	Pin No:	2161-37(102)	Pin No:	2161-37(102)	Pin No:	2161-37(501)	Pin No:	2161-19(102)
	Plating:	102 – TIN	Plating:	102 – TIN	Plating:	501 - GOLD	Plating:	102 - TIN
	Pin Length L	27.94/1.100	Pin Length L	27.94/1.100	Pin Length L	27.94/1.100	Pin Length L	26.21/ 1.032
	Mating M	11.43 / .450	Mating M	11.43/ .450	Mating M	11.43/ .450	Mating M	11.43/ .450
	Gold Loc G	N/A	Gold Loc G	6.86/ .270	Gold Loc G	OVERALL	Gold Loc G	N/A
	Dim. Y	5.41/ .213	Dim. Y	5.41/ .213	Dim. Y	5.41/ .213	Dim. Y	5.41/ .213
	PC Tail P	3.96 / .156	PC Tail P	3.96/ .156	PC Tail P	3.96/ .156	PC Tail P	2.23/ .088
	Tin Loc T	OVERALL	Tin Loc T	OVERALL	Tin Loc T	N/A	Tin Loc T	OVERALL
	Voided Ckts	5	Voided Ckts	3	Voided CKts	NONE	Voided Ckts	NONE
Pack Per	PK-42492-002	Pack Per	PK-42492-002	Pack Per	PK-42492-002	Pack Per	PK-42492-002	
Ckts	Material No	Engineer Number	Material No	Engineer Number	Material No	Engineer Number	Material No	Engineer Number
2					26-65-5020	A-42492-0019	42492-0400	A-42492-0400
3			424-92-0303	A-42492-0303	26-65-5030	A-42492-0020	42492-0401	A-42492-0401
4			424-92-0304	A-42492-0304	26-65-5040	A-42492-0021	42492-0402	A-42492-0402
5	424-92-0289	A-42492-0289	424-92-0305	A-42492-0305	26-65-5050	A-42492-0022	42492-0403	A-42492-0403
6	424-92-0290	A-42492-0290	424-92-0306	A-42492-0306	26-65-5060	A-42492-0023	42492-0404	A-42492-0404
7	424-92-0291	A-42492-0291	424-92-0307	A-42492-0307	26-65-5070	A-42492-0024	42492-0405	A-42492-0405
8	424-92-0292	A-42492-0292	424-92-0308	A-42492-0308	26-65-5080	A-42492-0025	42492-0406	A-42492-0406
9	424-92-0293	A-42492-0293	424-92-0309	A-42492-0309	26-65-5090	A-42492-0026	42492-0407	A-42492-0407
10	424-92-0294	A-42492-0294	424-92-0310	A-42492-0310	26-65-5100	A-42492-0027	42492-0408	A-42492-0408
11	424-92-0295	A-42492-0295	424-92-0311	A-42492-0311	26-65-5110	A-42492-0028	42492-0409	A-42492-0409
12	424-92-0296	A-42492-0296	424-92-0312	A-42492-0312	26-65-5120	A-42492-0029	42492-0410	A-42492-0410
13	424-92-0297	A-42492-0297	424-92-0313	A-42492-0313	26-65-5130	A-42492-0030	42492-0411	A-42492-0411
14	424-92-0298	A-42492-0298	424-92-0314	A-42492-0314	26-65-5140	A-42492-0031	42492-0412	A-42492-0412
15	424-92-0299	A-42492-0299	424-92-0315	A-42492-0315	26-65-5150	A-42492-0032	42492-0413	A-42492-0413
16	424-92-0300	A-42492-0300	424-92-0316	A-42492-0316	26-65-5160	A-42492-0033	42492-0414	A-42492-0414
17	424-92-0301	A-42492-0301	424-92-0317	A-42492-0317	26-65-5170	A-42492-0034	42492-0415	A-42492-0415
18	424-92-0302	A-42492-0302	424-92-0318	A-42492-0318	26-65-5180	A-42492-0035	42492-0416	A-42492-0416

REV:	SEE SHEET 1 6/13/2005	TITLE:	<b>KK 156 HEADER ASSEMBLY FRICTION LOCK RT ANGLE WITH PEGS</b>	SHEET No.	<b>- 5 -</b>
DOCUMENT NUMBER:	<b>SD- 42492-001</b>	CREATED / REVISED BY:	<b>ADERR</b>	CHECKED BY:	<b>AELHAG</b>
				APPROVED BY:	<b>FSMITH</b>

OPTIONS	Group	A-42492-0417/0431	Group	A-42492-0432/0443	Group	A-42492-0444/0456	Group	A-42492-0461/0473
	Header No:	41790-0036/0052	Header No:	41790-0041/0052	Header No:	41790-0040/0052	Header No:	41790-0040/0052
	Pin No:	2161-37(102)	Pin No:	2161-37(102)	Pin No:	2161-37(102)	Pin No:	2161-37(102)
	Plating:	102 – TIN	Plating:	102 – TIN	Plating:	102 – TIN	Plating:	102 – TIN
	Pin Length L	27.94/1.100	Pin Length L	27.94/1.100	Pin Length L	27.94/1.100	Pin Length L	27.94/1.100
	Mating M	11.43 / .450	Mating M	11.43/. 450	Mating M	11.43/. 450	Mating M	11.43/. 450
	Gold Loc G	N/A	Gold Loc G	N/A	Gold Loc G	N/A	Gold Loc G	N/A
	Dim. Y	5.41/ .213	Dim. Y	5.41/ .213	Dim. Y	5.41/ .213	Dim. Y	5.41/ .213
	PC Tail P	3.96 / .156	PC Tail P	3.96/ . 156	PC Tail P	3.96/. 156	PC Tail P	3.96/. 156
	Tin Loc T	OVERALL	Tin Loc T	OVERALL	Tin Loc T	OVERALL	Tin Loc T	OVERALL
Voided Ckts	2, 4	Voided Ckts	1,4,5,6,7	Voided CKts	3, 6	Voided Ckts	4, 6	
Pack Per	PK-42492-002	Pack Per	PK-42492-002	Pack Per	PK-42492-002	Pack Per	PK-42492-002	
Ckts	Material No	Engineer Number	Material No	Engineer Number	Material No	Engineer Number	Material No	Engineer Number
2								
3								
4	42492-0417	A-42492-0417						
5	42492-0418	A-42492-0418						
6	42492-0419	A-42492-0419			42492-0444	A-42492-0444		
7	42492-0420	A-42492-0420	42492-0432	A-42492-0432	42492-0445	A-42492-0445	42492-0462	A-42492-0462
8	42492-0421	A-42492-0421	42492-0433	A-42492-0433	42492-0446	A-42492-0446		
9	42492-0422	A-42492-0422	42492-0434	A-42492-0434	42492-0447	A-42492-0447		
10	42492-0423	A-42492-0423	42492-0435	A-42492-0435	42492-0448	A-42492-0448		
11	42492-0424	A-42492-0424	42492-0436	A-42492-0436	42492-0449	A-42492-0449		
12	42492-0425	A-42492-0425	42492-0437	A-42492-0437	42492-0450	A-42492-0450		
13	42492-0426	A-42492-0426	42492-0438	A-42492-0438	42492-0451	A-42492-0451		
14	42492-0427	A-42492-0427	42492-0439	A-42492-0439	42492-0452	A-42492-0452		
15	42492-0428	A-42492-0428	42492-0440	A-42492-0440	42492-0453	A-42492-0453		
16	42492-0429	A-42492-0429	42492-0441	A-42492-0441	42492-0454	A-42492-0454		
17	42492-0430	A-42492-0430	42492-0442	A-42492-0442	42492-0455	A-42492-0455		
18	42492-0431	A-42492-0431	42492-0443	A-42492-0443	42492-0456	A-42492-0456		

REV: <b>F1</b>	SEE SHEET 1 6/13/2005	TITLE: <b>KK 156 HEADER ASSEMBLY FRICTION LOCK RT ANGLE WITH PEGS</b>	SHEET No. <b>- 6 -</b>
DOCUMENT NUMBER: <b>SD- 42492-001</b>	CREATED / REVISED BY: <b>ADERR</b>	CHECKED BY: <b>AELHAG</b>	APPROVED BY: <b>FSMITH</b>