

PLEASE CHECK WWW.MOLEX.COM FOR LATEST PART INFORMATION

Part Number: [0876912002](#)
Status: **Active**
Overview: [extreme_powerplus_ssi](#)
Description: 6.35mm (.250") Pitch, Power, EXTreme PowerPlus™ All Power Receptacle, Press-fit, Vertical, 5 Circuits, Leadfree

Documents:

[3D Model](#) [RoHS Certificate of Compliance \(PDF\)](#)
[Drawing \(PDF\)](#)

General

Product Family	PCB Receptacles
Series	87691
Application	Board-to-Board
Comments	Recessed Power Circuit Position: 1, 5
Overview	extreme_powerplus_ssi
Product Literature Order No	987650-3002
Product Name	EXTreme PowerPlus™

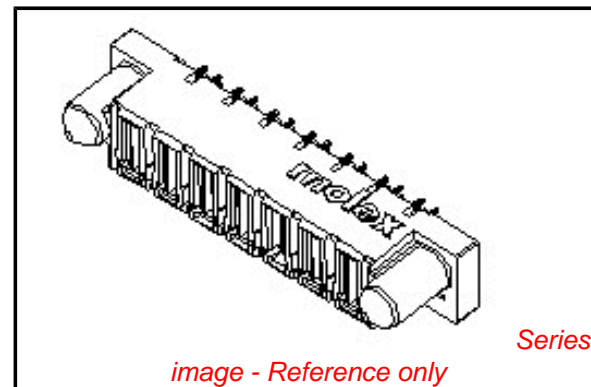
Physical

Circuits (Loaded)	5
Circuits Detail	Power 5
Color - Resin	Black
Durability (mating cycles max)	100
Glow-Wire Compliant	No
Guide to Mating Part	Yes
Keying to Mating Part	Yes
Material - Metal	Copper Alloy
Material - Plating Mating	Gold
Material - Plating Termination	Tin
Material - Resin	High Temperature Thermoplastic
Number of Rows	1
Orientation	Vertical
PC Tail Length (in)	0.135 In
PC Tail Length (mm)	3.43 mm
PCB Locator	No
PCB Retention	None
PCB Thickness Recommended (in)	0.093 In
PCB Thickness Recommended (mm)	2.36 mm
Packaging Type	Tray
Pitch - Mating Interface (in)	0.250 In
Pitch - Mating Interface (mm)	6.35 mm
Plating min: Mating (µin)	30
Plating min: Mating (µm)	0.76
Plating min: Termination (µin)	100
Plating min: Termination (µm)	2.54
Polarized to Mating Part	Yes
Polarized to PCB	Yes
Temperature Range - Operating	-20°C to +105°C
Termination Interface: Style	Through Hole - Compliant Pin

Electrical

Current - Maximum per Contact	50A
Voltage - Maximum	250V DC

Material Info



EU RoHS

ELV and RoHS Compliant
REACH SVHC
 Not Reviewed
Halogen-Free Status

China RoHS



Need more information on product environmental compliance?

Email productcompliance@molex.com
 For a multiple part number RoHS Certificate of Compliance, [click here](#)

Please visit the [Contact Us](#) section for any non-product compliance questions.

Search Parts in this Series

[87691Series](#)

Mates With

[87658 EXTreme PowerPlus™ Header](#)

Reference - Drawing Numbers

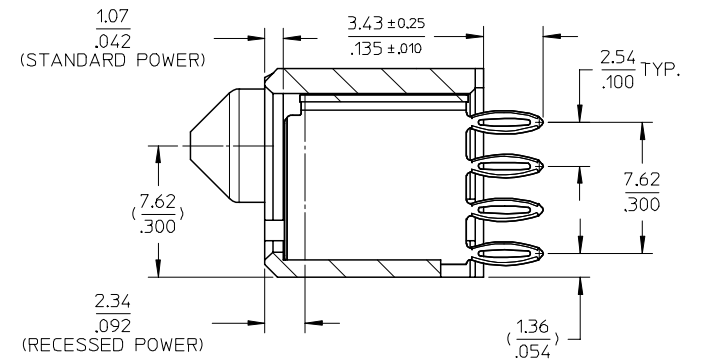
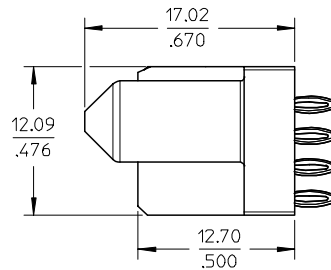
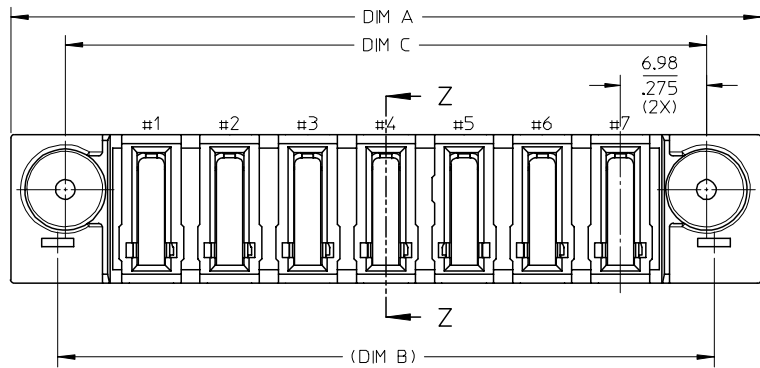
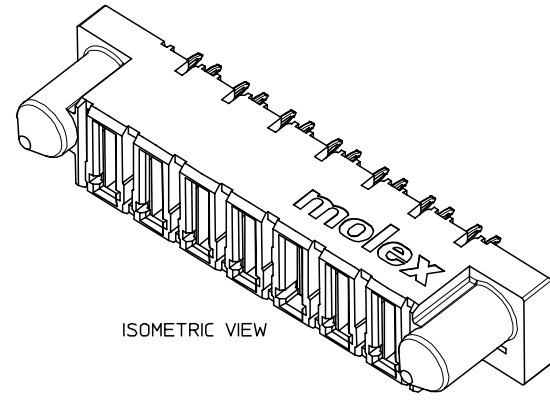
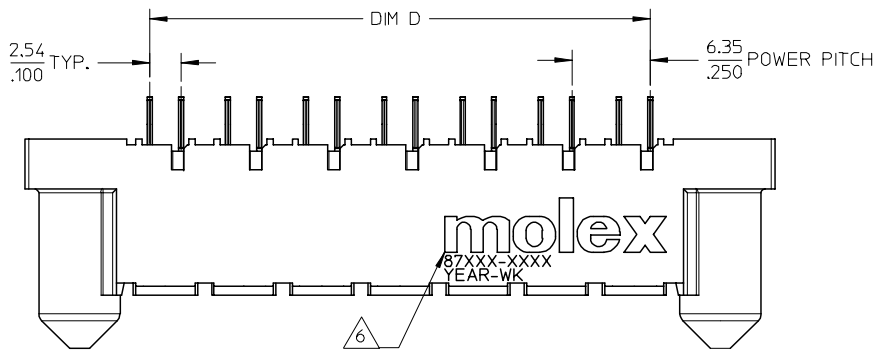
Application Specification
Sales Drawing

AS-87631-018, AS-87633-007
SD-87691-010

This document was generated on 05/21/2010

PLEASE CHECK WWW.MOLEX.COM FOR LATEST PART INFORMATION

10 9 8 7 6 5 4 3 2 1



9 8 7 6 5 4 3 2 1

PDR#S-001440-00-00	2006/11/17
EC NO: S2007-0448	2006/11/20
DRWN:KELIM	2006/11/20
CHKD:MLONG	2006/11/20
APPR:SKTOH	2006/11/20

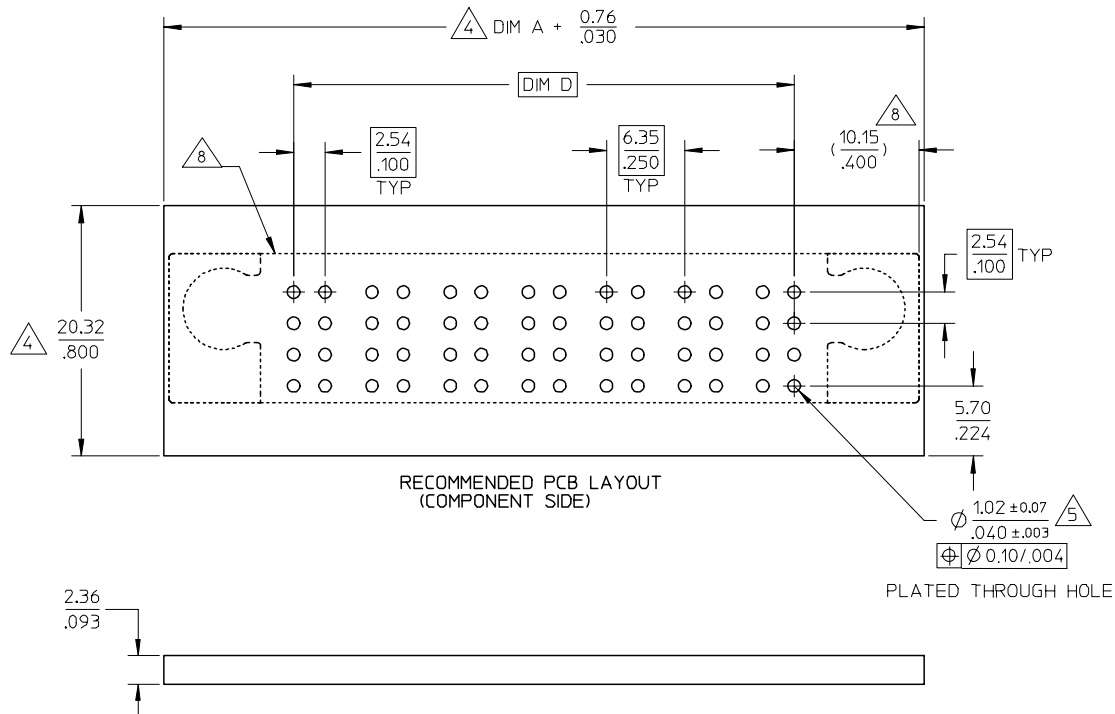
QUALITY SYMBOLS	DESCRIPTION
▽=0	
∇=0	

GENERAL TOLERANCES (UNLESS SPECIFIED)		
	mm	INCH
4 PLACES	± ---	± ---
3 PLACES	± ---	± ---
2 PLACES	± 0.13	± ---
1 PLACE	± 0.25	± ---
ANGULAR ± 3 °		
DRAFT WHERE APPLICABLE MUST REMAIN WITHIN DIMENSIONS		

DIMENSION STYLE	
MM/IN	
DRAWN BY	DATE
KMGOH	2002/09/23
CHECKED BY	DATE
PTL IM	2002/10/30
APPROVED BY	DATE
SKTOH	2002/10/30
MATERIAL NO.	
SEE TABLE	
SIZE	
A3	

SCALE	DESIGN UNITS	THIRD ANGLE PROJECTION
NTS	METRIC	
TITLE		
POWER CONN. RECEPTACLE ALL POWER CONFIGURATION VERTICAL PRESS-FIT		
MOLEX INCORPORATED		
DOCUMENT NO.	SHEET NO.	
SD-87691-010	1 OF 2	

	10	9	8	7	6	5	4	3	2	1
PART NUMBER	ALL POWER CONFIGURATION	RECESSED POWER CIRCUIT	DIM A	DIM B	DIM C	DIM D	PACKAGING	PLATING OPTION		
87691-1007	7	NIL	60.96 2.400	53.34 2.100	52.07 2.050	40.64 1.600	TRAY	TIN		
87691-2002	5	#1 & #5	48.26 1.900	40.64 1.600	39.37 1.550	27.94 1.100				
87691-2003	2	NIL	29.21 1.150	21.59 0.850	20.32 0.800	8.89 0.350				



CONNECTOR - NOTES

1. MATERIALS :

- HOUSING - LCP, GLASS FILLED, UL94-0,COLOR:BLACK.
- POWER PIN - COPPER ALLOY

2. FINISH :

- POWER CONTACTS
- 0.76 MICROMETER MINIMUM GOLD (Au) AT CONTACT AREA AND
- 2.54 MICROMETER MINIMUM TIN AT SOLDER TAIL AREA
- OVER 1.27µm MIN. NICKEL (Ni) UNDERPLATE.

3. PRODUCT SPECIFICATION: PS-87633-006.

4. COMPONENT STAY AWAY ZONE FROM CONNECTOR.

5. PCB NOTE FOR DIAMETER 1.02/.040 PLATED HOLE.

- DRILLED HOLE SIZE IS 1.151/.0453
- PLATE WITH 0.007/.0003 MINIMUM TIN OVER 0.03/.001 TO 0.08/.003 COPPER PLATING TO ACHIEVE 1.02±0.08/.040±.003 HOLE.

SEE SHEET 2 FOR RECOMMENDED PCB LAYOUT.

6. MANUFACTURER LOGO,PART NUMBER AND YEAR-WEEK CODE.

7. 7 POWER CIRCUIT CONFIGURATION IS SHOWN FOR ILLUSTRATION.

8. IMAGINARY LINE & DIMENSION TO POSITION AND PROVIDE CONNECTOR ORIENTATION W.R.T. PCB LAYOUT.

REV	DESCRIPTION	QUALITY SYMBOLS
D		▽=0 ▽C=0

GENERAL TOLERANCES (UNLESS SPECIFIED)	
mm	INCH
4 PLACES ± ---	± ---
3 PLACES ± ---	± ---
2 PLACES ± 0.13	± ---
1 PLACE ± 0.25	± ---
ANGULAR ± 3 °	

DIMENSION STYLE	
MM	IN
DRAWN BY	DATE
2002/09/23	KMGOH
CHECKED BY	DATE
2002/10/30	PTL IM
APPROVED BY	DATE
2002/10/30	SKTOH
MATERIAL NO.	
SEE TABLE	

SCALE	DESIGN UNITS	THIRD ANGLE PROJECTION
NTS	METRIC	☉ □
TITLE		
POWER CONN. RECEPTACLE ALL POWER CONFIGURATION VERTICAL PRESS-FIT		
MOLEX INCORPORATED		
DOCUMENT NO.	SHEET NO.	
SD-87691-010	2 OF 2	