

Solderless Terminals



Introduction

Molex offers global manufacturing and design capabilities for a wide range of Solderless Terminals. This catalog covers those Solderless Terminals made by Molex Korea. Our capabilities in Korea include a full range of standard terminals such as ring and spade type, along with more specialized versions such as Circuit Breaker and Tapping Splices. A full range of Application tooling is available for all versions.

Index

	2
R	3
Y	9
RD	10
CB	11
A / A	12
A	12
B / P	13
E /	14
CE / CD	15
CE	16
RAV / RBV (R)	17
RAP / RBP (R)	21
VSX / VFY (Y)	25
APF / BPF (Y)	27
AVA / APA / BVA / BPA (A)	29
AVB / APB / BVV / BPB (B)	30
AVP / APP / BVP / BPP (P)	31
C /	32
	32
	33
	34
	36
	36
	37
	37
	38
	38
C	39
	40
Molex-ETC™	41
Beau®	42

Solderless Terminal Overview	2
Solderless Terminal Overview	2
Non-Insulated Solderless Terminals	
Ring Tongue	3
Spade Tongue	9
Double-Hole	10
Circuit Breaker Terminal	11
Wire Pin Terminal / with Insulation Cap	12
Insulation Cap for Wire Pin Terminal	12
Non-Insulated Splices	
Butt Splice / Parallel Splice	13
Wire End Ferrule / Wire Range Cross Reference	14
Insulated Connectors	
Closed-End Connector	15
Wire Range Cross Reference	16
Insulated Solderless Terminals and Splices	
Ring Tongue, Vinyl	17
Ring Tongue, Nylon	21
Spade Tongue, Vinyl	25
Spade Tongue, Nylon	27
Wire Pin Terminal	29
Butt Splice	30
Parallel Splice	31
Tapping Splices	
Tapping Splice / Insulation Cover	32
Wire Range Cross Reference	32
Vinyl Insulation Cap	
Vinyl Insulation Cap	33
Application Tooling	
Hand Crimper	34
Hydraulic Hand Crimper	36
Hydraulic Tool (Head Separated Type)	36
Electrically Operated Hydraulic Tool	37
Hydraulic Pump	37
Foot-Operated Pneumatic Tool	38
Semi-Automatic Terminator	38
Tool for Tapping Splice and Tubular Lug	39
Application Tooling Selection Guide	40
Molex-ETC™ Precision Engineered Terminals	41
Beau® Terminal Blocks	42

Solderless Terminal Overview

KS JIS 가 . All dimensions of Solderless Terminals are prescribed by KS and JIS.

Features and Benefits

Terminal Material	Molex Korea solderless terminals are made of oxygen free high conductivity copper, and annealed with the best quality techniques to acquire excellent electrical performance and connectivity.
Plating	High quality tin plating enables maximum corrosion resistance.
Brazing	Alloys such as silver solder and phosphor copper are used for excellent brazing and bonding characteristics.
Insulation	High temperature insulators are used in various color options.

Naming Conventions

R	1.25	-	3	() R - , Y - Y
꺾	꺾		꺾	(e.g.) R - Ring, Y - Spade
Type/Shape	Applicable Wire Size (sq)		Screw Size	

Non-Insulated Solderless Terminals and Splices

Type	Name	Application	Standard
R	Ring	General	KS, JIS, UL, CSA
RD	Double-Hole	Transformer	KS, JIS, UL, CSA
CB	Circuit Breaker	Distribution Board, Switch Board	JEMA*, UL, CSA
Y	Y Spade	Control Panel	UL, CSA
A	Wire Pin	Breaker, Electric Meter	UL, CSA
T	C Tapping Splice	Wire Branching	JCMA**
B	() Butt Splice	Wire-to-Wire	JIS, UL, CSA
P	() Parallel Splice	Wire-to-Wire	JIS, UL, CSA
E	Wire End Ferrule	Wire Closed End (non-insulated)	JIS
CE	() Closed-End	Wire Closed End (insulated)	JIS, UL, CSA
V	Insulation Cap	Solderless Terminals	JSIA***

* JEMA: The Japan Electrical Manufacturers' Association
 ** JCMA: The Japanese Electric Wire & Cable Makers' Association
 *** JSIA: Japan Switchboard Industries Association

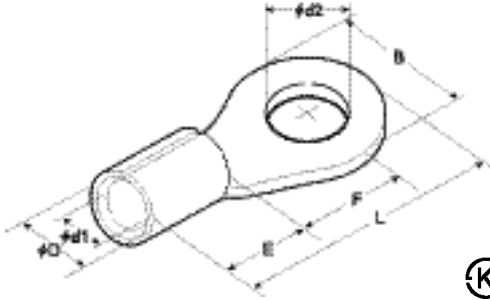
Insulators for Solderless Terminals and Splices

(short:) PVC
 Insulators for crimp barrels provide less metal exposure and better protection against wire bending. The following two types of insulation material are used:

Insulator	Operating Temperature	Flammability
PVC (Polyvinyl Chloride)	-40~+75°C	UL94V-O
Nylon	-40~+105°C	UL94V-2

Non-Insulated Solderless Terminals

R Ring Tongue



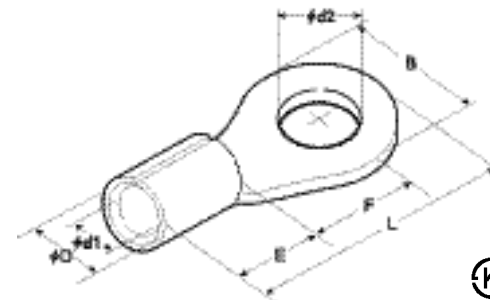
98-0346
 KR9554
 E134962
 LR95446

Standard	Type	Order No.	Dimension (mm)							Material Thickness (t)	Wire Range			Crimp Tool	Packaging				
			d2	B	L	F	E	D	d1		Solid (mm)	Stranded (mm)	AWG (#)						
	R180-8	50866-7025	8.4	38.5	69.0	24.5	28.5	28.5	21.0	3.5	13.8	152.05	300-350	MCM	57343-9001	160			
	R180-L8	50866-7625			86.8	39.0										120			
	R180-10	50866-7125	10.5		69.0	24.5										160			
	R180-L10	50866-7725			86.8	39.0										120			
	R180-11	50866-7225	11.5		69.0	24.5										160			
	R180-12	50866-7325	13.0		86.8	39.0										120			
	R180-L12	50866-7825			69.0	24.5										160			
	R180-14	50866-7425	15.0		86.8	39.0										120			
	R180-L14	50866-7925			69.0	24.5										160			
	R180-16	50866-7525	17.0		86.8	39.0										120			
	R180-L16	50866-7026																	
	R180-18	50866-7126	19.0																
	R180-20	50866-7226	21.0																
	R180-22	50866-7326	23.0																
	R180-24	50866-7426	25.0																
	R180-27	50866-7526	28.0																
	R200-8	50409-7025	8.4	72.0			24.5	31.5	32.7	24.0	4.0	15.6	192.6	400	MCM		57343-9001	57343-9002	60
	R200-L8	50409-7026		91.0			37.5												
	R200-10	50409-7625	10.5	78.0			24.5												
	R200-S10	50409-7125		72.0			24.5												
	R200-L10	50409-7126	91.0	37.5															
	R200-11	50409-7225	11.5	72.0	24.5														
	R200-12	50409-7725	13.0	78.0	24.5														
	R200-S12	50409-7325		72.0	24.5														
	R200-L12	50409-7226	91.0	37.5															
	R200-14	50409-7825	15.0	78.0	24.5														
	R200-S14	50409-7425		72.0	24.5														
	R200-L14	50409-7326	91.0	37.5															
	R200-16	50409-7925	17.0	78.0	24.5														
	R200-S16	50409-7525		72.0	24.5														
	R200-L16	50409-7426	91.0	37.5															
	R200-18	50409-7526	19.0	91.0	37.5														
	R200-20	50409-7626	21.0																
	R200-22	50409-7726	23.0																
	R200-24	50409-7826	25.0																
	R200-27	50409-7926	28.0																
	R250-10	50796-7012	10.5			44.0	78.0	24.5	31.5	35.6	26.0	4.5	15.6	250	400	MCM	57343-9001	57343-9002	60
	R250-12	50796-7112	13.0																
	R250-14	50796-7212	15.0																
	R250-16	50796-7312	17.0																
	R250-20	50796-7412	21.0	27.5															

가

Non-Insulated Solderless Terminals

R Ring Tongue



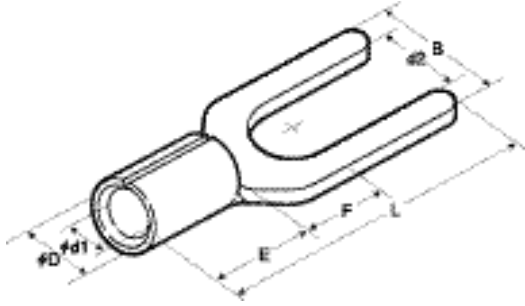
98-0346
 KR9554
 E134962
 LR95446

Standard	Type	Order No.	Dimension (mm)							Material Thickness (t)	Wire Range			Crimp Tool	Packaging		
			d2	B	L	F	E	D	d1		Solid (mm)	Stranded (mm)	AWG (#)				
	R325-8	50411-7025	8.4	50.5	88.0	33.5	35.5	37.6	28.0	4.5	17.5	242.27	500-600	MCM	57343-9001	57343-9002	60
	R325-L8	50411-7825			105.7	45.0											
	R325-10	50411-7125	10.5		88.0	33.5											
	R325-L10	50411-7925			105.7	45.0											
	R325-11	50411-7225	11.5		88.0	33.5											
	R325-12	50411-7325	13.0		105.7	45.0											
	R325-L12	50411-7026			88.0	33.5											
	R325-14	50411-7425	15.0		105.7	45.0											
	R325-L14	50411-7126			94.2	33.5											
	R325-16	50411-7625	17.0		88.0	33.5											
	R325-S16	50411-7525			105.7	45.0											
	R325-L16	50411-7226	19.0		94.2	33.5											
	R325-M18	50411-7725		105.7	45.0												
	R325-20	50411-7426	21.0	105.7	45.0												
	R325-22	50411-7526	23.0														
	R325-24	50411-7626	25.0														
	R325-27	50411-7726	28.0														

가

Non-Insulated Solderless Terminals

Y Spade Tongue



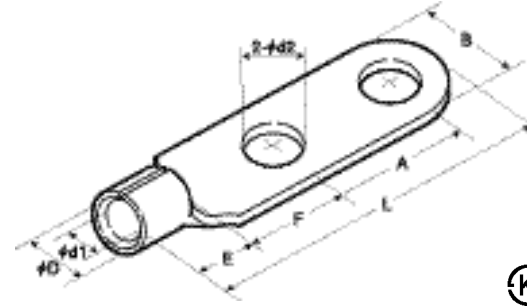
UL E134962 SF LR95446

Standard	Type	Order No.	Dimension (mm)							Material Thickness	Wire Range			Crimp Tool	Packaging									
			d2	B	L	F	E	D	d1		Solid (mm)	Stranded(mm)	AWG (#)											
UL SF	Y0.5-2	50460-7025	2.2	5.2	12.5	5.9	4.0	2.3	1.2	0.5	0.5	0.2	24-20	57343-5001	10,000									
UL SF	Y0.5-3	50460-7125	3.2	6.6	15.0	7.7																		
UL SF	Y0.5-3.5	50460-7225	3.7																					
UL SF	Y0.5-4	50460-7325	4.3																					
UL SF	Y0.5-5	50460-7425	5.3	8.0	7.0	4.5	3.4	1.7	0.8	0.57	0.3	22-16	57257-5000	10,000										
UL SF	Y1.25-3	50322-7212	3.2	5.8	16.0										6.6									
UL SF	Y1.25-3S	50322-7112	3.7	5.7	15.0										5.8									
UL SF	Y1.25-3.5	50322-7312																						
UL SF	Y1.25-3.5SS	50322-7012																						
UL SF	Y1.25-3.5L	50322-7412	6.2	16.0	6.6																			
UL SF	Y1.25-4	50322-7612	4.3	6.4	16.0										6.6									
UL SF	Y1.25-4S	50322-7512																						
UL SF	Y1.25-4L	50322-7712																						
UL SF	Y1.25-5	50322-7812	5.3	9.5	16.4										7.3									
UL SF	Y1.25-6	50322-7912	6.4	11.0	20.0										8.6									
UL SF	Y2-3	50323-7112	3.2	5.9	15.8										6.6	4.5	4.1	2.4	0.8	1.14	1.04	16-14	57257-5000	10,000
UL SF	Y2-3.5	50323-7212	6.4																					
UL SF	Y2-3.5SS	50323-7912	3.7	5.7		16.0																		
UL SF	Y2-3.5L	50323-7312	6.4	15.8	7.6																			
UL SF	Y2-4	50323-7512	4.3	6.4	16.0	6.6																		
UL SF	Y2-4S	50323-7412																						
UL SF	Y2-4L	50323-7612																						
UL SF	Y2-5	50323-7712	5.3	9.5	16.8	7.3																		
UL SF	Y2-6	50323-7812	6.4	12.0	20.0	8.6																		
UL SF	Y3.5-4	50891-7112	4.3	8.0	17.8	7.5	5.3	5.0	3.0	1.0	1.82	2.63	12	57257-5000	10,000									
UL SF	Y3.5-5	50891-7212	5.3																					
UL SF	Y5.5-4	50324-7212	4.3	9.0	18.2	7.2	6.5	5.6	3.5	1.0	1.82	2.63	12-10	57257-5000	6,000									
UL SF	Y5.5-4S	50324-7112																						
UL SF	Y5.5-5	50324-7312																						
UL SF	Y5.5-6	50324-7412	6.4	12.5	25.2	12.0									1,200									

Contact Molex.
가

Non-Insulated Solderless Terminals

RD Double-Hole



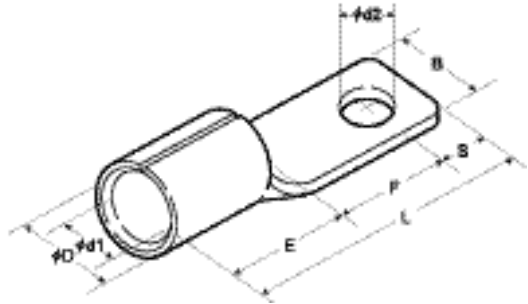
K 98-0346 KR9554 UL E134962 SF LR95446

Standard	Type	Order No.	Dimension (mm)							Material Thickness	Wire Range			Crimp Tool	Packaging		
			d2	B	L	A	F	E	D		d1	Solid (mm)	Stranded(mm)			AWG (#)	
UL SF	RD38-10	50869-7025	11.0	22.0	84.0	32.0	28.0	13.0	13.3	9.4	1.8	5.81	26.66	2	57343-5012	400	
UL SF	RD38-12	50869-7125	14.0			40.0	20.0								57343-5013		
UL SF	RD38-X	50869-7225	-			-	-								57343-9003		
K UL SF	RD60-10	50442-7025	11.0	32.0	97.0	81.0	32.0	18.5	15.5	11.4	2.0	7.34	42.42	1/0	57343-5012	300	
K UL SF	RD60-12	50442-7125	14.0			89.0	40.0								19.5		57343-5013
K UL SF	RD60-14	50442-7225	16.0			-	-								22.5		57343-9001
UL SF	RD60-X	50442-7325	-	-	-	-	-	57343-9002									
UL SF	RD70-10	50871-7025	11.0	24.0	91.0	83.0	32.0	19.0	17.5	13.3	2.0	8.26	60.57	2/0	57343-5013	300	
UL SF	RD70-12	50871-7125	14.0			40.0	20.0								57343-9004		
UL SF	RD70-X	50871-7225	-			-	-								-		-
K UL SF	RD80-10	50443-7025	11.0	27.0	99.0	86.0	32.0	19.5	19.5	14.5	2.3	9.27	76.28	3/0	57343-5013	250	
K UL SF	RD80-12	50443-7125	14.0			94.0	21.0								57343-9001		
K UL SF	RD80-14	50443-7225	16.0			40.0	23.5								57343-9002		
UL SF	RD80-X	50443-7325	-	-	-	-	-	57343-9004									
K UL SF	RD100-10	50444-7025	11.0	32.0	99.0	87.0	32.0	19.5	22.3	16.4	2.6	10.41	96.3	4/0	57343-5013	200	
K UL SF	RD100-12	50444-7125	14.0			95.0	40.0								23.5		57343-9001
K UL SF	RD100-14	50444-7225	16.0			40.0	23.5								57343-9002		
UL SF	RD100-X	50444-7325	-	-	-	-	-	57343-9004									
K UL SF	RD150-12	50445-7025	14.0	36.0	106.0	40.0	21.0	27.0	26.5	19.5	3.2	11.68	117.2	250-300	57343-5013	120	
K UL SF	RD150-14	50445-7125	16.0			40.0	21.0								57343-9001		
UL SF	RD150-X	50445-7225	-			-	-								-		57343-9002
UL SF	RD150-12	50445-7025	14.0	38.5	111.0	40.0	23.3	28.5	28.5	21.0	3.5	13.8	152.05	300-350	57343-9001	96	
UL SF	RD150-14	50446-7125	16.0			40.0	23.3								57343-9002		
UL SF	RD150-X	50446-7225	-			-	-								-		-
K UL SF	RD200-12	50447-7025	14.0	44.0	117.0	40.0	21.8	33.2	32.7	24.0	4.0	15.6	192.6	400MCM	57343-9001	60	
K UL SF	RD200-14	50447-7125	16.0			40.0	21.8								57343-9002		
UL SF	RD200-X	50447-7225	-			-	-								-		-
UL SF	RD250-12	50798-7012	14.0	44.0	117.0	40.0	21.8	33.2	35.6	26.0	4.5	15.6	192.6	400MCM	57343-9001	30	
UL SF	RD250-14	50798-7112	16.0			40.0	21.8								57343-9002		
UL SF	RD250-X	50798-7212	-			-	-								-		-
K UL SF	RD325-12	50448-7025	14.0	50.5	124.0	40.0	22.3	36.5	37.6	28.0	4.5	17.5	242.27	500-600	57343-9001	30	
K UL SF	RD325-14	50448-7125	16.0			40.0	22.3								57343-9002		
UL SF	RD325-X	50448-7225	-			-	-								-		-

가

Non-Insulated Solderless Terminals

CB Circuit Breaker Terminal



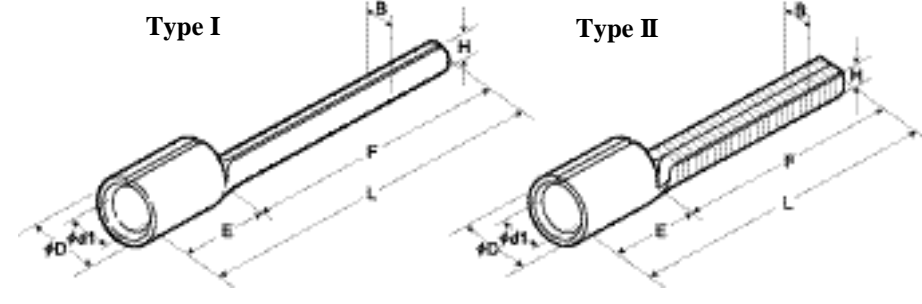
UL E134962 SF LR95446

Standard	Type	Order No.	Dimension (mm)								(t) Material Thickness	Wire Range			Crimp Tool	Packaging
			d2	B	L	F	S	E	D	d1		Solid (mm)	Stranded(mm ²)	AWG (#)		
	CB22-5S	50449-7025	5.3	12.5	30.8	13.5	5.5	11.8	11.5	7.7	1.8	4.62 ~5.81	16.78 ~26.66	4	57343-5012 57343-5013 57343-9003 57343-9004	1,200
	CB22-6S	50449-7125	6.4			12.6	6.4									
	CB22-8S	50449-7225	8.2	13.5	36.9	16.4	7.5	13.0	13.3	9.4	1.8	5.81 ~7.34	26.66 ~42.42	2	57343-5012 57343-5013 57343-9003 57343-9004	1,000
	CB38-5S	50450-7025	5.3													
	CB38-6S	50450-7125	6.4	12.5	34.9	16.4	7.5	13.0	13.3	9.4	1.8	5.81 ~7.34	26.66 ~42.42	2	57343-5012 57343-5013 57343-9003 57343-9004	1,000
	CB38-6N	50450-7225	6.4	34.9	5.5											
UL	CB60-6S	50451-7025	6.4	16.0	49.5	20.0	11.0	18.5	15.5	11.4	2.0	7.34 ~8.26	42.42 ~60.57	1/0	57343-5012 57343-5013 57343-9001 57343-9002 57343-9003 57343-9004	500
UL	CB60-8	50451-7125	8.4													
UL	CB60-8S	50451-7225	8.4	16.0	49.5	20.0	11.0	18.5	15.5	11.4	2.0	7.34 ~8.26	42.42 ~60.57	1/0	57343-5012 57343-5013 57343-9001 57343-9002 57343-9003 57343-9004	500
UL	CB60-10S	50451-7325	10.5	49.5	11.0											
UL	CB80-8	50452-7025	8.4	22.0	50.0	20.0	11.0	19.0	19.5	14.5	2.3	9.27 ~10.41	76.28 ~96.3	3/0	57343-5013 57343-9001 57343-9002 57343-9004	250
UL	CB80-8S	50452-7125	8.4													
UL	CB80-10	50452-7225	10.5	22.0	50.0	20.0	11.0	19.0	19.5	14.5	2.3	9.27 ~10.41	76.28 ~96.3	3/0	57343-5013 57343-9001 57343-9002 57343-9004	250
UL	CB80-10S	50452-7325	10.5	49.0	10.0											
UL	CB80-12S	50452-7425	13.0	22.0	50.0	20.0	11.0	19.0	19.5	14.5	2.3	9.27 ~10.41	76.28 ~96.3	3/0	57343-5013 57343-9001 57343-9002 57343-9004	250
UL	CB100-8	50453-7025	8.4	52.0	11.0											
UL	CB100-8S	50453-7125	8.4	53.0	12.0	20.0	11.0	22.3	16.4	2.6	10.41 ~11.68	96.3 ~117.2	4/0	57343-5013 57343-9001 57343-9002 57343-9004	250	
UL	CB100-10	50453-7225	10.5	52.0	11.0											
UL	CB100-10S	50453-7325	10.5	22.0	52.0	20.0	11.0	22.3	16.4	2.6	10.41 ~11.68	96.3 ~117.2	4/0	57343-5013 57343-9001 57343-9002 57343-9004	250	
UL	CB100-12S	50453-7425	13.0	53.0	12.0											
UL	CB150-8	50454-7025	8.4	22.0	60.3	22.3	12.0	27.0	26.5	19.5	3.2	11.68 ~13.8	117.2 ~152.05	250-300 MCM	57343-5013 57343-9001 57343-9002 57343-9004	160
UL	CB150-8S	50454-7125	8.4													
UL	CB150-10	50454-7225	10.5	25.0	61.8	22.3	12.5	27.0	26.5	19.5	3.2	11.68 ~13.8	117.2 ~152.05	250-300 MCM	57343-5013 57343-9001 57343-9002 57343-9004	160
UL	CB150-10S	50454-7325	10.5	61.3	12.0											
UL	CB150-12S	50454-7425	13.0	22.0	61.3	22.3	12.0	27.0	26.5	19.5	3.2	11.68 ~13.8	117.2 ~152.05	250-300 MCM	57343-5013 57343-9001 57343-9002 57343-9004	160
UL	CB200-10S	50455-7025	10.5	36.0	72.0											
	CB200-12S	50455-7125	13.0	36.0	72.0	22.3	19.0	30.7	32.7	24.0	4.0	15.6 ~17.5	192.6 ~242.27	400MCM	57343-9001 57343-9002	120
	CB325-10	50885-7025	10.5	44.0	85.5											
	CB325-10S	50885-7125	10.5	38.5												
	CB325-12	50885-7225	13.0	44.0	85.5	32.0	17.0	36.5	37.6	28.0	4.5	17.5 ~20.3	242.27 ~325.0	500-600 MCM	57343-9001 57343-9002	60
	CB325-12S	50885-7325	13.0	38.5												

가

Non-Insulated Solderless Terminals

A Wire Pin Terminal



UL E134962 SF LR95446

Standard	Type	Order No.	Type	Dimension (mm)								(t) Material Thickness	Wire Range			Crimp Tool	Packaging
				B	H	L	F	E	D	d1	Solid (mm)		Stranded(mm ²)	AWG (#)			
UL	A-1.25	50896-7112		1.7	1.7	17.0	12.7	4.3	3.4	1.7	0.8	0.57 ~1.44	0.25 ~1.65	22-16	57343-5002 57343-9005	10,000	
UL	A-1.25LB	50896-7212		1.8	1.8	21.3	17.0										
UL	A-2	50896-7312		1.7	1.7	17.0	12.7	4.3	4.2	2.3	0.8	1.14 ~1.82	1.04 ~2.63	16-14	57257-5000 57343-5002 57343-9005	10,000 6,000	
UL	A-2LB	50896-7412		1.8	1.8	21.3	17.0										
UL	A-5.5	50896-7512		2.1	2.1	21.0	14.7	6.3	5.6	3.4	1.0	1.82 ~2.89	2.63 ~6.64	12-10	57257-5000 57343-9005	6,000	
UL	A-8	50896-7125		3.5	3.5	33.5	25.2										
UL	A-14	50896-7325		4.5	4.5	40.5	30.5	10.0	9.0	5.8	1.6	3.65 ~4.62	10.52 ~16.78	6	57257-5000 57343-5012 57343-5013 57343-9004	1,200	
UL	A-14S	50896-7225		3.5	3.5												
UL	A-22	50896-7425		6.5	6.5	47.0	35.6	11.4	11.5	7.7	1.8	4.62 ~5.81	16.78 ~26.66	4	57343-5012 57343-5013 57343-9003	800	
UL	A-22S	50896-7625		3.5	3.5												
UL	A-38	50896-7525		6.9	6.9	50.0	37.0	13.0	13.3	9.4	1.8	5.81 ~7.34	26.66 ~42.42	2	57343-9004	500	

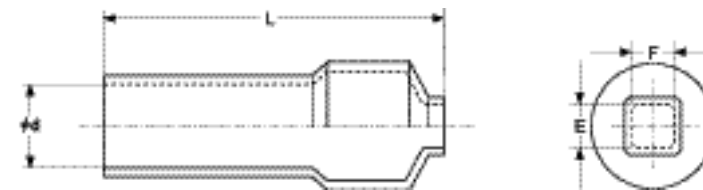
Contact Molex.

A Wire Pin Terminal with Insulation Cap

Type	Order No.	Packaging	Type	Order No.	Packaging
A-1.25-CP	50896-0150	1,000	A-14S-CP	50896-0850	100
A-2-CP	50896-0350		A-22-CP	50896-0950	
A-5.5-CP	50896-0550	100	A-22S-CP	50896-1050	50
A-8-CP	50896-0650		A-38-CP	50896-1150	
A-14-CP	50896-0750				

Contact Molex.

A Insulation Cap for Wire Pin Terminal



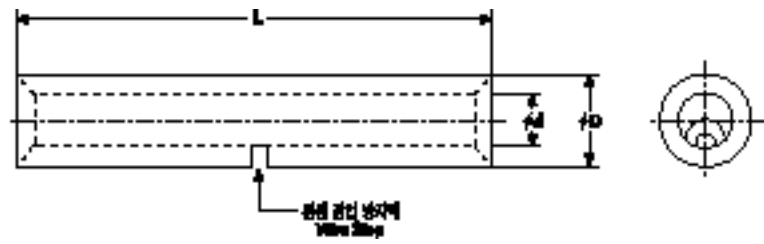
Type	Order No.	Dimension (mm)				Applicable Terminal	Packaging
		d	E	F	L		
CA-1.25 / 2	59834-0150	3.2	1.8	1.8	16.5	A-1.25, A-1.25LB, A-2, A2LB	1,000
CA-5.5	59834-0250	5.2	2.2	2.2	22.5	A-5.5	
CA-8	59834-0350	6.5	3.5	3.5	30.5	A-8	100
CA-14	59834-0450	8.5	4.5	4.5	37.0	A-14, A-14S	
CA-22	59834-0550	10.0	6.5	6.5	50.5	A-22, A-22S	
CA-38	59834-0650	12.0	6.9	6.9	58.0	A-38	

Contact Molex.

가

Non-Insulated Splices

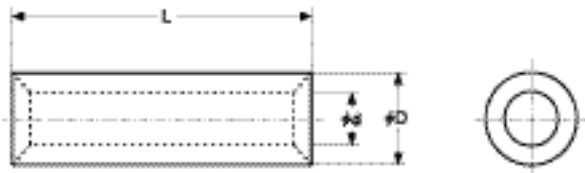
B Butt Splice



KR9997 UL SP In Process Request

Standard	Type	Order No.	Dimension (mm)			Material Thickness (t)	Wire Range			Crimp Tool	Packaging
			L	d	D		Solid (mm)	Stranded(mm)	AWG (#)		
☞	B-1.25	50530-7125	15.0	1.7	3.3	0.8	0.57-1.44	0.25~1.65	22-16	57343-5002, 57343-9005	10,000
☞	B-2	50530-7225		2.3	4.1	0.9	1.14~1.82	1.04~2.63	16-14	57257-5000, 57343-5002, 57343-9005	
☞	B-5.5	50530-7325		3.4	5.4	1.0	1.82~2.89	2.63~6.64	12-10	57257-5000, 57343-9005	
☞	B-8	50530-7425	21.0	4.5	7.0	1.25	2.89~3.65	6.64~10.52	8	57257-5000	1,200
☞	B-14	50530-7525	26.0	5.8	8.9	1.55	3.65~4.62	10.52~16.78	6	57257-5000, 57343-5012, 57343-5013, 57343-9003, 57343-9004	1,200
☞	B-22	50530-7625	29.0	7.7	11.3	1.8	4.62~5.81	16.78~26.66	4	57343-5012, 57343-5013	1,000
☞	B-38	50530-7725	32.0	9.4	13.2	1.9	5.81~7.34	26.66~42.42	2	57343-9003, 57343-9004	800
☞	B-60	50530-7825	36.0	11.4	15.3	1.95	7.34~8.26	42.42~60.57	1/0	57343-5012, 57343-5013, 57343-9001, 57343-9002, 57343-9003, 57343-9004	500
☞	B-70	50530-7925	37.0	13.3	17.5	2.1	8.26~9.27	60.57~76.28	2/0	57343-5013, 57343-9004	400
☞	B-80	50530-7026	38.0	14.5	19.5	2.5	9.27~10.41	76.28~96.3	3/0	57343-5013, 57343-9001	250
☞	B-100	50530-7126		16.4	22.1	2.85	14.91~11.68	96.3~117.2	4/0		57343-9002, 57343-9004
☞	B-150	50530-7226	54.0	19.5	26.4	3.45	11.68~13.8	117.2~152.05	250-300 MCM	57343-9001	160
☞	B-180	50530-7326	57.0	21.0	28.5	3.75	13.8~15.6	152.05~192.6	300-350 MCM		
☞	B-200	50530-7426	63.0	24.0	32.4	4.2	15.6~17.5	192.6~242.27	400 MCM	57343-9002	72
☞	B-325	50530-7526	72.0	28.0	37.0	4.5	17.5~20.3	242.27~325.0	500-600 MCM		54

P Parallel Splice

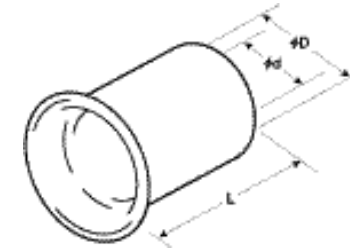


KR9997 UL SP In Process Request

Standard	Type	Order No.	Dimension (mm)			Material Thickness (t)	Wire Range			Crimp Tool	Packaging
			L	d	D		Solid (mm)	Stranded(mm)	AWG (#)		
☞	P-1.25	50532-7125	8.0	1.7	3.3	0.8	0.57~1.44	0.25~1.65	22-16	57343-5002, 7343-9005	10,000
☞	P-2	50532-7225		2.3	4.1	0.9	1.14~1.82	1.04~2.63	16-14	57257-5000, 57343-5002, 57343-9005	
☞	P-5.5	50532-7325	8.5	3.4	5.4	1.0	1.82~2.89	2.63~6.64	12-10	57257-5000, 57343-9005	6,000
☞	P-8	50532-7425	9.5	4.5	7.0	1.25	2.89~3.65	6.64~10.52	8	57257-5000	1,200
☞	P-14	50532-7525	11.0	5.8	8.9	1.55	3.65~4.62	10.52~16.78	6	57257-5000, 57343-5012, 57343-5013, 57343-9003, 57343-9004	1,200
☞	P-22	50532-7625	13.5	7.7	11.3	1.8	4.62~5.81	16.78~26.66	4	57343-5012, 57343-5013	1,000
☞	P-38	50532-7725	16.5	9.4	13.2	1.9	5.81~7.34	26.66~42.42	2	57343-9003, 57343-9004	800
☞	P-60	50532-7825	19.0	11.4	15.3	1.95	7.34~8.26	42.42~60.57	1/0	57343-5012, 57343-5013, 57343-9001, 57343-9002, 57343-9003, 57343-9004	500
☞	P-70	50532-7925		13.3	17.5	2.1	8.26~9.27	60.57~76.28	2/0		
☞	P-80	50532-7026	19.5	14.5	19.5	2.5	9.27~10.41	76.28~96.3	3/0	57343-5013, 57343-9001	250
☞	P-100	50532-7126	20.0	16.4	22.1	2.85	10.41~11.68	96.3~117.2	4/0		57343-9002, 57343-9004
☞	P-150	50532-7226	27.0	19.5	26.4	3.45	11.68~13.8	117.2~152.05	250-300 MCM	57343-9001	144
☞	P-180	50532-7326	28.5	21.0	28.5	3.75	13.8~15.6	152.05~192.6	300-350 MCM		
☞	P-200	50532-7426	32.0	24.0	32.4	4.2	15.6~17.5	192.6~242.27	400 MCM	57343-9002	90
☞	P-325	50532-7526	37.0	28.0	37.0	4.5	17.5~20.3	242.27~325.0	500-600 MCM		

Non-Insulated Splice

E Wire End Ferrule



KR9997

Standard	Type	Order No.	Dimension (mm)			Material Thickness (t)	Current (A)	Cross-Sectional Area (sq)	Crimp Tool	Packaging
			L	d	D					
☞	E- (Small)	50901-7012	10.0	4.0	5.0	0.5	20	5.5	57343-5005	10,000
☞	E- (Medium)	50901-7112		5.3	6.9	0.8	30	8		6,000
☞	E- (Large)	50901-7212		6.1	7.7					

Wire Range Cross Reference

P Parallel Splice

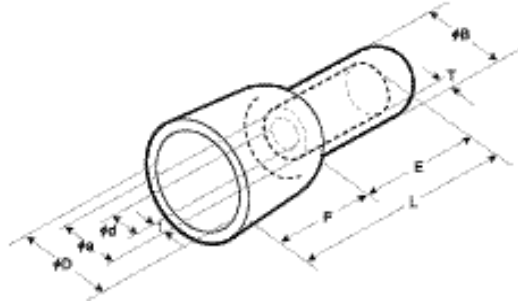
Type	mm ²	AWG (#)
P-0.5	0.3+0.2	22+24
P-1.25	0.3+0.5	20+20
P-2	0.75+0.75	18+18
	1.25+1.25	18+16
P-5.5	2+2	14+14
P-8	3.5+3.5	12+12
P-14	5.5+5.5	10+10
	8+8	8+8
P-22	8+14	8+6
P-38	14+14	6+6
P-60	22+22	4+4
	30+30	3+2
P-70	38+38	2+2
P-80	38+50	2+1/0
P-100	50+50	1/0+1/0
P-150	60+60	2/0+2/0
P-180	80+80	3/0+3/0
P-200	100+100	4/0+4/0
P-325	125+125	MCM
	150+150	250+250 300+300

E Wire End Ferrule

Type	Number of Wires			Wire Combinations (mm)
	1.6mm	2.0mm	2.6mm	
E- (Small)	2	-	-	1.6 x 1 + 0.75mm ² x 1 1.6 x 2 + 0.75mm ² x 1
	3-4	2	-	2.0 x 1 + 1.6 x 1-2
E- (Medium)	5-6	3-4	2	2.0 x 1 + 1.6 x 3-5 2.0 x 2 + 1.6 x 1-3 2.0 x 3 + 1.6 x 1 2.6 x 1 + 1.6 x 1-3 2.6 x 1 + 2.0 x 1-2 2.6 x 2 + 1.6 x 1 2.6 x 1 + 2.0 x 1 + 1.6 x 1-2
E- (Large)	7	5	3	2.0 x 1 + 1.6 x 6 2.0 x 2 + 1.6 x 4 2.0 x 3 + 1.6 x 2 2.0 x 4 + 1.6 x 1 2.6 x 1 + 2.0 x 3 2.6 x 2 + 1.6 x 2 2.6 x 2 + 2.0 x 1 2.6 x 1 + 2.0 x 2 + 1.6 x 1

Insulated Connectors

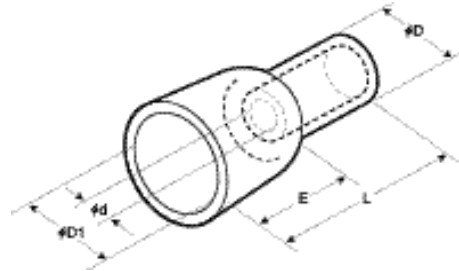
CE Closed-End Connector: CE Type



UL KR9998 UL E29179 SF In Process Request

Standard	Type	Order No.	Dimension (mm)								Wire Range		Conductor Mat'l	Insulator Mat'l	Crimp Tool	Packaging	
			a	d	E	t	B	D	L	F	T	Solid (mm)					AWG (#)
UL	CE-1	50966-7112	3.4	2.4	7.0	0.5	5.0	6.5	20.8	9.5	0.8	0.5-1.75	22-16	Nylon 66	Copper, Tin Plating	57343-5010	1,000
	CE-2	50966-7212	4.0	3.0	7.3		5.7	8.0	21.0		0.9	1.0-3.0	16-12			57343-5010	
UL	CE-5	50966-7312	5.6	3.8	8.5	0.9	7.4	9.5	27.0	12.0	0.9	2.5-6.0	14-10	Nylon 66	Copper, Tin Plating	57343-5011	500
	CE-8	50966-7412	7.1	4.5	9.5		9.3	12.0	28.0		1.1	4.0-9.0	10-8			57343-9005	
	CE-1	50966-7512	3.4	2.4	7.0	0.5	5.0	6.5	20.8	9.5	0.8	0.5-1.75	22-16	Nylon 66	Copper, Tin Plating	57343-5010	1,000
	CE-2	50966-7612	4.0	3.0	7.3		5.7	8.0	21.0		0.9	1.0-3.0	16-12			57343-5010	
	CE-5	50966-7712	5.6	3.8	8.5	0.9	7.4	9.5	27.0	12.0	0.9	2.5-6.0	14-10	Nylon 66	Copper, Tin Plating	57343-9005	500
	CE-8	50966-7812	7.1	4.5	9.5		9.3	12.0	28.0		1.1	4.0-9.0	10-8			57343-5011	

CD Closed-End Connector: CD Type



UL E32244 SF LR18689

Standard	Type	Order No.	Dimension (mm)					Wire Range		Conductor Mat'l	Insulator Mat'l	Crimp Tool	Packaging
			D	D1	d	E	L	Solid (mm)	AWG (#)				
UL	CD-1	NC-2214	4.6	6.6	2.3	6.7	15.4	0.33-1.31	22-16	Nylon 66	Copper, Tin Plating	57343-5010	1,000
UL	CD-2	NC-2212	5.4	7.3	2.7	9.7	18.9	1.33-2.08	22-14				
UL	CD-5	NC-1610	6.8	9.7	3.9	9.1	18.5	0.82-3.31	18-12				

Please refer to Molex sales drawing for wire range cross reference.

가

Insulated Connectors

CE Wire Range Cross Reference for CE Type

CD

Please refer to Molex sales drawing for CD Type.

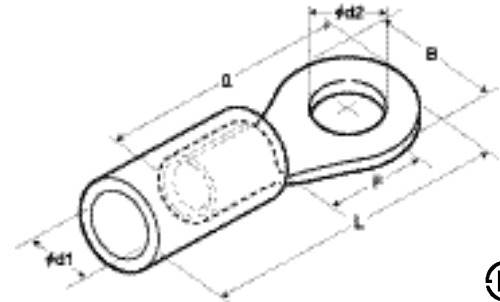
Type	Wire Range mm ² /AWG(#)	Main Wire mm ² (AWG)	Number	mm ² (AWG).....					Associated Wire mm ² (AWG).....		Number of Wires	
				0.3 (22)	0.5 (20)	0.75 (18)	1.25 (16)	2.0 (14)	3.5 (12)	5.5 (10) -		
CE-1	0.5-1.75 (22-16)	0.3 (22)	1	1-3	1-2	1	1					
			2	1	1-2	1						
			3		1	1						
		0.5 (20)	1	1-3								
2	1-2											
CE-2	1.0-3.0 (16-12)	0.3 (22)	1	3-7	2-4	1-2	1-2	1	1			
			2		1-3	1-2	1	1				
			3		1-3	1-2	1	1				
		0.5 (20)	1	2-6	1-4	1-2	1-2	1	1			
			2	1-5		1-2	1	1				
			3	1-4		1-2	1	1				
		0.75 (18)	1	1-5	1-3	1-2	1	1				
			2	1-4	1-2	1	1					
			3	1-2	1							
			1.25 (16)	1	1-4	1-2	1-2	1				
2.0 (14)	1	1-2	1	1								
CE-5	2.5-6.0 (14-10)	0.3 (22)	1	7-9	5-9	3-6	2-3	2	1	1		
			2		4-8	3-6	2-3	1	1			
			3		4-7	3-5	2	1	1			
		0.5 (20)	1	7-8	4-7	3-5	2-3	1-2	1	1		
			2	5-7		2-4	1-2	1-2	1			
			3	3-5		2-3	1-2	1-2	1			
		0.75 (18)	1	6-8	4-7	2-4	2-3	1-2	1			
			2	4-6	1-5		1-2	1-2	1			
			3	1-5	1-3		1-2	1	1			
		1.25 (16)	1	5-8	3-4	2-4	1-2	1-2	1			
			2	1-6	1-3	1-2	1					
			3	1-5	1-2	1-2						
2.0 (14)	1	2-7	1-4	1-4	1-2	1-2	1					
	2	1-6	1-3	1-2	1							
	3	1-5	1-2	1-2								
3.5 (12)	1	1-6	1-4	1-2	1	1						
CE-8	4.0-9.0 (10-8)	0.5 (20)	1		7-12	5-8	3-4	2-3	1-2	1		
			2			4-7	2-4	2-3	1-2	1		
			3			4-7	2-4	2	1	1		
			4			3-6	1-3	1-2	1	1		
			5			2-5	1-3	1-2	1	1		
			6			2-4	1-2	1	1	1		
		0.75 (18)	1		7-11	5-8	3-4	2-3	1-2	1		
			2		5-10		2-4	2	1-2	1		
			3		4-9		2-3	1-2	1	1		
		1.25 (16)	1		7-11	4-8	3-4	2	1	1		
			2		5-10	2-6		1-2	1			
			3		1-7	1-4		1-2	1			
			4		1-6	1-3		1-2	1			
		2.0 (14)	1		7-10	3-7	2-4	1-2	1	1		
			2		1-8	1-4	1-2		1			
			3		1-5	1-2	1-2					
		3.5 (12)	1		1-8	1-5	1-2	1	1	1		
			2		1-2	1-2	1	1				
5.5 (10) -	1		1-5	1-4	1-3	1	1					

: CE-1 0.3mm²

The main and associated wires should be properly combined for use with our CE Type connectors.
e.g. You can combine up to three associated wires with one 0.3mm² main wire for use with our CE-1 connector.

Insulated Solderless Terminals and Splices

RAV (, R) Ring Tongue, Vinyl: Straight



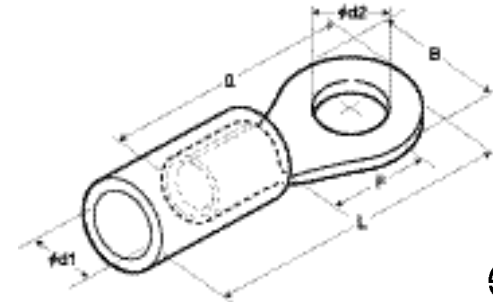
98-0346
 KR9554
 E134962
 LR95446

Standard	Type	Order No.	Dimension (mm)						Material Thickness (t)	Color	Wire Range			Crimp Tool	Packaging
			d2	B	L	F	I	d1			Solid (mm)	Stranded(mm)	AWG (#)		
	RAV0.3-2	50851-300	2.2	5.2	16.7	4.5	9.5	2.3	0.65	Yellow	0.32	0.1	26-24	57343-5007	10,000
	RAV0.3-3	50851-301	3.2												
	RAV0.3-3.5	50851-302	3.7												
	RAV0.3-4	50851-303	4.3	6.6	19.7	6.8									
	RAV0.5-2	50852-300	2.2	5.2	18.0	5.5	9.5	2.3	0.5	Yellow	0.5	0.2	24-20	57343-5007	10,000
	RAV0.5-3	50852-301	3.2												
	RAV0.5-3.5	50852-302	3.7												
	RAV0.5-4	50852-303	4.3	6.6	20.5	7.3									
	RAV0.5-5	50852-304	5.3	8.0		6.6									
	RAV1.25-2	50236-300	2.5	5.5	16.4	4.4	8.9	3.3	0.8	Red	0.8	0.5	20-16	57259-5000	10,000
	RAV1.25-3	50236-301	3.3												
	RAV1.25-M3	50236-302	3.2												
	RAV1.25-V3	50236-303	3.2	6.6	18.8	4.0									
	RAV1.25-3.5	50236-304	3.8			4.0									
	RAV1.25-S3.5	50236-305	3.7	5.5	16.4	4.4									
	RAV1.25-M3.5	50236-306	3.7	5.5	18.2	6.2									
	RAV1.25-4	50236-308	4.4	8.0	20.1	6.0									
	RAV1.25-S4	50236-307	4.3	6.6	18.8	6.2									
	RAV1.25-5	50236-309	5.4	8.0	20.1	7.0									
	RAV1.25-6	50236-310	6.4	11.5	24.6	9.6									
	RAV1.25-8	50236-311	8.4												
	RAV1.25-10	50236-312	10.5												
	RAV2-3	50237-300		6.6	16.8	4.0									
	RAV2-M3	50237-301	3.2	5.5	18.3	6.0									
	RAV2-L3	50237-302													
	RAV2-3.5	50237-304	3.8												
	RAV2-M3.5	50237-303		5.8	18.3	5.9									
	RAV2-L3.5	50237-305		3.7	20.4	7.6									
	RAV2-4	50237-308	4.4	8.5	21.1	6.0									
	RAV2-S4	50237-307		6.6	20.4	7.6	8.9	3.98	0.8	Blue	1.14	1.04	16-14	57259-5000	6,000
	RAV2-M4	50237-306	4.3												
	RAV2-5	50237-309	5.4												
	RAV2-S5	50237-310	5.3	8.5	20.9	7.2									
	RAV2-6	50237-311	6.5	12.0	26.1	7.0									
	RAV2-8	50237-312	8.5												
	RAV2-10	50237-313	10.5												
	RAV2-12	50237-314	13.0	17.0	31.3	13.3									
	RAV3.5-3	50855-300	3.2	8.5	26.5	7.6	14.0	5.0	1.0	Yellow	1.82	2.63	12	57258-5000	1,200
	RAV3.5-4	50855-301	4.3												
	RAV3.5-5	50855-302	5.3												
	RAV3.5-6	50855-303	6.4	12.0	30.5	9.8									
	RAV3.5-8	50855-304	8.4	14.5	33.7	11.8									
	RAV3.5-10	50855-305	10.5												

(*) Replace * with 가
 0 = White 1 = Black 2 = Red 3 = Yellow 4 = Blue 6 = Green 9 = Transparent

Insulated Solderless Terminals and Splices

RAV (, R) Ring Tongue, Vinyl: Straight



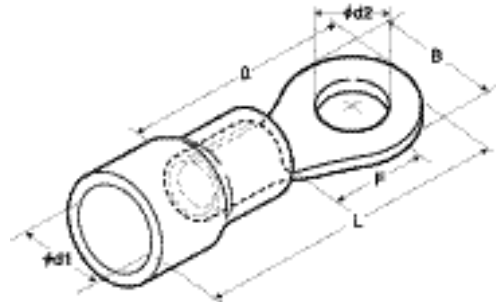
98-0346
 KR9554
 E134962
 LR95446

Standard	Type	Order No.	Dimension (mm)						Material Thickness (t)	Color	Wire Range			Crimp Tool	Packaging
			d2	B	L	F	I	d1			Solid (mm)	Stranded(mm)	AWG (#)		
	RAV5.5-S3	50238-300	3.2	7.2	22.9	5.1	13.4	5.44	1.0	Yellow	1.82	2.63	12-10	57258-5000	1,200
	RAV5.5-M3	50238-301		7.1	26.6	8.8									
	RAV5.5-S3.5	50238-302	3.7	7.2	22.9	5.1									
	RAV5.5-M3.5	50238-303		7.1	26.6	8.8									
	RAV5.5-4	50238-304	4.4	9.5		5.0									
	RAV5.5-S4	50238-305	4.3	7.2	22.9	5.1									
	RAV5.5-M4	50238-306		7.1		8.8									
	RAV5.5-5	50238-307	5.4	9.5	26.6	7.0									
	RAV5.5-S5	50238-308	5.3	8.0		8.4									
	RAV5.5-L5	50238-309		12.0	29.4	9.4									
	RAV5.5-6	50238-310	6.5	15.0	34.9	9.0									
	RAV5.5-8	50238-311	8.5												
	RAV5.5-10	50238-312	10.5		34.4	13.5									
	RAV5.5-12	50238-313	13.0	20.0	39.1	14.9									
	RAV5.5-14	50238-314	15.0	32.0	55.1	24.9									
	RAV5.5-16	50238-315	17.0												
	RAV5.5-20	50238-316	21.0												

(*) Replace * with 가
 0 = White 1 = Black 2 = Red 3 = Yellow 4 = Blue 6 = Green 9 = Transparent

Insulated Solderless Terminals and Splices

RBV (, R) Ring Tongue, Vinyl: Flared



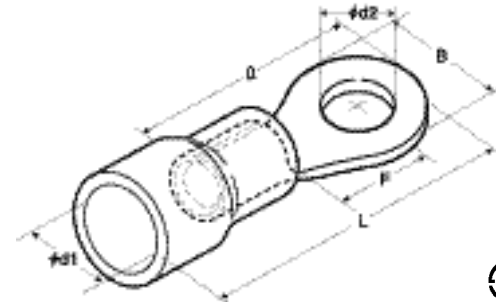
98-0346
 KR9554
 E134962
 LR95446

Standard	Type	Order No.	Dimension (mm)					Material Thickness (t)	Color	Wire Range			Crimp Tool	Packaging		
			d2	B	L	F	I			d1	Solid (mm)	Stranded(mm)			AWG (#)	
	RBV0.3-2	50851-350	2.2	5.2	16.7	4.5	9.5	3.1	0.65	Yellow	0.32	0.1	26-24	57343-5007	10,000	
	RBV0.3-3	50851-351	3.2													
	RBV0.3-3.5	50851-352	3.7													
	RBV0.3-4	50851-353	4.3	6.6	19.7	6.8										
	RBV0.5-2	50852-350	2.2	5.2	18.0	5.5	9.5	3.1	0.5	Yellow	0.5	0.2	24-20	57343-5007	10,000	
	RBV0.5-3	50852-351	3.2													
	RBV0.5-3.5	50852-352	3.7													
	RBV0.5-4	50852-353	4.3	6.6	20.5	7.3										
	RBV0.5-5	50852-354	5.3	8.0			6.6									
	RBV1.25-2	50230-350	2.5	5.5	16.4	4.4	8.9	4.1	0.8	Red	0.8	0.5	20-16	57259-5000	10,000	
	RBV1.25-3	50230-351	3.3													
	RBV1.25-M3	50230-352	3.2													
	RBV1.25-V3	50230-353	3.2	6.6	18.8	4.0										
	RBV1.25-3.5	50230-354	3.8													
	RBV1.25-S3.5	50230-355	3.7	5.5	16.4	4.4										
	RBV1.25-M3.5	50230-356	3.7	5.5	18.2	6.2										
	RBV1.25-4	50230-358	4.4	8.0	20.1	6.0										
	RBV1.25-S4	50230-357	4.3	6.6	18.8	6.2										
	RBV1.25-5	50230-359	5.4	8.0	20.1	7.0										
	RBV1.25-6	50230-360	6.4	11.5	24.6	9.6										
	RBV1.25-8	50230-361	8.4													
	RBV1.25-10	50230-362	10.5				13.6	26.2	10.1							
	RBV2-3	50231-350		6.6	16.8	4.0	8.9	4.8	0.8	Blue	1.14	1.04	16-14	57259-5000	6,000	
	RBV2-M3	50231-351	3.2													
	RBV2-L3	50231-352	3.2													
	RBV2-3.5	50231-354	3.8	6.6	18.8	4.0										
	RBV2-M3.5	50231-353	3.7	5.8	18.3	5.9										
	RBV2-L3.5	50231-355	3.7	6.6	20.4	7.6										
	RBV2-4	50231-358	4.4	8.5	21.1	6.0										
	RBV2-S4	50231-357	4.3	6.6	19.9	7.6										
	RBV2-M4	50231-356	4.3	6.6	18.3	6.0										
	RBV2-5	50231-359	5.4	9.5	21.1	7.0										
	RBV2-S5	50231-360	5.3	8.5	20.9	7.2										
	RBV2-6	50231-361	6.5	12.0	26.1	7.0										
	RBV2-8	50231-362	8.5													
	RBV2-10	50231-363	10.5				14.5	28.4	11.7							
	RBV2-12	50231-364	13.0	17.0	31.3	13.3										
	RBV3.5-3	50855-350	3.2	8.5	26.5	7.6	14.0	6.1	1.0	Yellow	1.82	2.63	12	57258-5000	1,200	
	RBV3.5-4	50855-351	4.3													
	RBV3.5-5	50855-352	5.3													
	RBV3.5-6	50855-353	6.4	12.0	30.5	9.8										
	RBV3.5-8	50855-354	8.4	14.5	33.7	11.8										
	RBV3.5-10	50855-355	10.5													

(*) Replace * with 가
 0 = White 1 = Black 2 = Red 3 = Yellow 4 = Blue 6 = Green 9 = Transparent

Insulated Solderless Terminals and Splices

RBV (, R) Ring Tongue, Vinyl: Flared



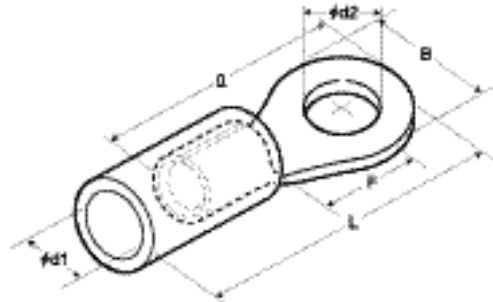
98-0346
 KR9554
 E134962
 LR95446

Standard	Type	Order No.	Dimension (mm)					Material Thickness (t)	Color	Wire Range			Crimp Tool	Packaging	
			d2	B	L	F	I			d1	Solid (mm)	Stranded(mm)			AWG (#)
	RBV5.5-S3	50232-350	3.2	7.2	22.9	5.1	13.4	6.4	1.0	Yellow	1.82	2.63	12-10	57258-5000	1,200
	RBV5.5-M3	50232-351		7.1	26.6	8.8									
	RBV5.5-S3.5	50232-352	3.7	7.2	22.9	5.1									
	RBV5.5-M3.5	50232-353		7.1	26.6	8.8									
	RBV5.5-4	50232-354	4.4	9.5		5.0									
	RBV5.5-S4	50232-355	4.3	7.2	22.9	5.1									
	RBV5.5-M4	50232-356		7.1	26.6	8.8									
	RBV5.5-5	50232-357	5.4	9.5	26.6	7.0									
	RBV5.5-S5	50232-358	5.3	8.0		8.4									
	RBV5.5-L5	50232-359		12.0	29.4	9.4									
	RBV5.5-6	50232-360	6.5	15.0	34.9	9.0									
	RBV5.5-8	50232-361	8.5												
	RBV5.5-10	50232-362	10.5				34.4	13.5							
	RBV5.5-12	50232-363	13.0	20.0	39.1	14.9									
	RBV5.5-14	50232-364	15.0	32.0	55.1	24.9									
	RBV5.5-16	50232-365	17.0												
	RBV5.5-20	50232-366	21.0												

(*) Replace * with 가
 0 = White 1 = Black 2 = Red 3 = Yellow 4 = Blue 6 = Green 9 = Transparent

Insulated Solderless Terminals and Splices

RAP (, R) Ring Tongue, Nylon: Straight



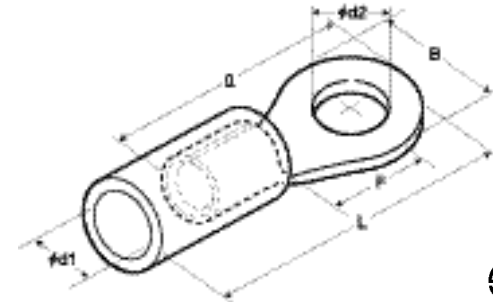
(K) 98-0346 (UL) KR9554 (UL) E134962 (SE) LR95446

Standard	Type	Order No.	Dimension (mm)					Material Thickness (t)	Color	Wire Range			Crimp Tool	Packaging	
			d2	B	L	F	I			d1	Solid (mm)	Stranded (mm)			AWG (#)
	RAP0.3-2	50851-400	2.2	5.2	16.7	4.5	9.5	2.3	0.65	Yellow	0.32	0.1	26-24	57343-5007	10,000
	RAP0.3-3	50851-401	3.2												
	RAP0.3-3.5	50851-402	3.7												
	RAP0.3-4	50851-403	4.3	6.6	19.7	6.8									
(UL)	RAP0.5-2	50852-400	2.2	5.2	18.0	5.5	9.5	2.3	0.5	Yellow	0.5	0.2	24-20	57343-5007	10,000
(UL)	RAP0.5-3	50852-401	3.2												
(UL)	RAP0.5-3.5	50852-402	3.7												
(UL)	RAP0.5-4	50852-403	4.3	6.6	20.5	7.3									
(UL)	RAP0.5-5	50852-404	5.3	8.0		6.6									
(UL)	RAP1.25-2	50236-400	2.5	5.5	16.4	4.4	8.9	3.3	0.8	Red	0.8	0.5	20-16	57343-5008	10,000
(K)	RAP1.25-3	50236-401	3.3												
(UL)	RAP1.25-M3	50236-402	3.2												
(UL)	RAP1.25-V3	50236-403	3.2	6.6	18.8	4.0									
(K)	RAP1.25-3.5	50236-404	3.8			4.0									
(UL)	RAP1.25-S3.5	50236-405	3.7	5.5	16.4	4.4									
(UL)	RAP1.25-M3.5	50236-406	3.7	5.5	18.2	6.2									
(K)	RAP1.25-4	50236-408	4.4	8.0	20.1	6.0									
(UL)	RAP1.25-S4	50236-407	4.3	6.6	18.8	6.2									
(K)	RAP1.25-5	50236-409	5.4	8.0	20.1	7.0									
(UL)	RAP1.25-6	50236-410	6.5	11.5	24.6	9.6									6,000
(UL)	RAP1.25-8	50236-411	8.4												
(UL)	RAP1.25-10	50236-412	10.5	13.6	26.2	10.1									
(UL)	RAP2-3	50237-400		6.6	16.8	4.0									
(UL)	RAP2-M3	50237-401	3.2	5.5	18.3	4.6									
(UL)	RAP2-L3	50237-402			18.3	6.0									
(K)	RAP2-3.5	50237-404	3.8	6.6	18.8	4.0									
(UL)	RAP2-M3.5	50237-403		5.8	18.3	5.9									
(UL)	RAP2-L3.5	50237-405	3.7	6.6	20.4	7.6									
(K)	RAP2-4	50237-408	4.4	8.5	21.1	6.0									
(UL)	RAP2-S4	50237-407		6.6	20.4	7.6									
(UL)	RAP2-M4	50237-406	4.3	6.6	18.8	6.0									
(K)	RAP2-5	50237-409	5.4	9.5	21.1	7.0									
(UL)	RAP2-S5	50237-410	5.3	8.5	20.9	7.2									
(K)	RAP2-6	50237-411	6.5	12.0	26.1	7.0									
(K)	RAP2-8	50237-412	8.5			9.0									
(UL)	RAP2-10	50237-413	10.5	14.5	28.4	11.7									1,200
(UL)	RAP2-12	50237-414	13.0	17.0	31.3	13.3									
(UL)	RAP3.5-3	50855-400	3.2	8.5	26.5	7.6	14.0	5.0	1.0	Yellow	1.82	2.63	12	57258-5000	1,200
(UL)	RAP3.5-4	50855-401	4.3												
(UL)	RAP3.5-5	50855-402	5.3												
(UL)	RAP3.5-6	50855-403	6.4	12.0	30.5	9.8									
(UL)	RAP3.5-8	50855-404	8.4	14.5	33.7	11.8									
(UL)	RAP3.5-10	50855-405	10.5												

(*) Replace * with 0 = White 1 = Black 2 = Red 3 = Yellow 4 = Blue 6 = Green 9 = Transparent
 • RAP 가 Contact Molex.

Insulated Solderless Terminals and Splices

RAP (, R) Ring Tongue, Nylon: Straight



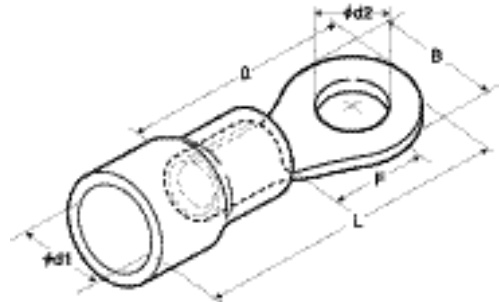
(K) 98-0346 (UL) KR9554 (UL) E134962 (SE) LR95446

Standard	Type	Order No.	Dimension (mm)					Material Thickness (t)	Color	Wire Range			Crimp Tool	Packaging	
			d	B	L	F	I			d1	Solid (mm)	Stranded (mm)			AWG (#)
(UL)	RAP5.5-S3	50238-400	3.2	7.2	22.9	5.1	13.4	5.44	1.0	Yellow	1.82	2.63	12-10	57258-5000	1,200
(UL)	RAP5.5-M3	50238-401		7.1	26.6	8.8									
(UL)	RAP5.5-S3.5	50238-402	3.7	7.2	22.9	5.1									
(UL)	RAP5.5-M3.5	50238-403		7.1	26.6	8.8									
(K)	RAP5.5-4	50238-404	4.4	9.5		5.0									
(UL)	RAP5.5-S4	50238-405	4.3	7.2	22.9	5.1									
(UL)	RAP5.5-M4	50238-406		7.1			8.8								
(K)	RAP5.5-5	50238-407	5.4	9.5	26.6	7.0									
(UL)	RAP5.5-S5	50238-408	5.3	8.0		8.4									
(UL)	RAP5.5-L5	50238-409		12.0	29.4	9.4									
(K)	RAP5.5-6	50238-410	6.5			7.0									
(K)	RAP5.5-8	50238-411	8.5			9.0									
(K)	RAP5.5-10	50238-412	10.5	15.0		13.5									
(UL)	RAP5.5-12	50238-413	13.0	20.0	39.1	14.9									
(UL)	RAP5.5-14	50238-414	15.0												
(UL)	RAP5.5-16	50238-415	17.0	32.0	55.1	24.9									1,000
(UL)	RAP5.5-20	50238-416	21.0												

(*) Replace * with 0 = White 1 = Black 2 = Red 3 = Yellow 4 = Blue 6 = Green 9 = Transparent
 • RAP 가 Contact Molex.

Insulated Solderless Terminals and Splices

RBP (, R) Ring Tongue, Nylon: Straight



98-0346
 KR9554
 E134962
 LR95446

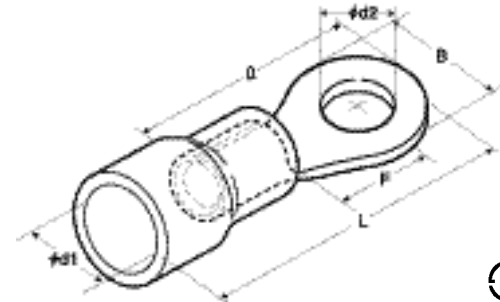
Standard	Type	Order No.	Dimension (mm)							Material Thickness	Color	Wire Range			Crimp Tool	Packaging
			d2	B	L	F	I	d1	Solid (mm)			Stranded(mm)	AWG (#)			
	RBP0.3-2	50851-450	2.2	5.2	16.7	4.5	9.5	3.1	0.65	Yellow	0.32	0.1	26-24	57343-5007	10,000	
	RBP0.3-3	50851-451	3.2													
	RBP0.3-3.5	50851-452	3.7	6.6	19.7	6.8	9.5	3.1	0.65	Yellow	0.32	0.1	26-24	57343-5007	10,000	
	RBP0.3-4	50851-453	4.3													
	RBP0.5-2	50852-450	2.2	5.2	18.0	5.5	9.5	3.1	0.5	Yellow	0.5	0.2	24-20	57343-5007	10,000	
	RBP0.5-3	50852-451	3.2													
	RBP0.5-3.5	50852-452	3.7	6.6	20.5	7.3	9.5	3.1	0.5	Yellow	0.5	0.2	24-20	57343-5007	10,000	
	RBP0.5-4	50852-453	4.3													
	RBP0.5-5	50852-454	5.3	8.0		6.6										
	RBP1.25-2	50230-450	2.5	5.5	16.4	4.4	8.9	4.1	0.8	Red	0.8	0.5	20-16	57343-5008	10,000	
	RBP1.25-3	50230-451	3.3													
	RBP1.25-M3	50230-452	3.2	6.6	18.8	6.2	8.9	4.1	0.8	Red	0.8	0.5	20-16	57343-9005	6,000	
	RBP1.25-V3	50230-453	3.8													
	RBP1.25-3.5	50230-454	3.8													
	RBP1.25-S3.5	50230-455	3.7	5.5	16.4	4.4	8.9	4.1	0.8	Red	0.8	0.5	20-16	57343-5008	6,000	
	RBP1.25-M3.5	50230-456	4.4													
	RBP1.25-4	50230-458	4.4	8.0	20.1	6.0										
	RBP1.25-S4	50230-457	4.3	6.6	18.8	6.2										
	RBP1.25-5	50230-459	5.4	8.0	20.1	7.0										
	RBP1.25-6	50230-460	6.4	11.5	24.6	9.6	8.9	4.8	0.8	Blue	1.14	1.04	16-14	57259-5000	6,000	
	RBP1.25-8	50230-461	8.4													
	RBP1.25-10	50230-462	10.5	13.6	26.2	10.1										
	RBP2-3	50231-450		6.6	16.8	4.0										
	RBP2-M3	50231-451	3.2	5.5	18.3	6.0	8.9	4.8	0.8	Blue	1.14	1.04	16-14	57343-5008	6,000	
	RBP2-L3	50231-452	3.8													
	RBP2-3.5	50231-454	3.8	6.6	18.8	4.0										
	RBP2-M3.5	50231-453	3.7	5.8	18.3	5.9										
	RBP2-L3.5	50231-455	3.7	6.6	20.4	7.6										
	RBP2-4	50231-458	4.4	8.5	21.1	6.0										
	RBP2-S4	50231-457	4.3	6.6	19.9	7.6										
	RBP2-M4	50231-456	4.3	6.6	18.3	6.0										
	RBP2-5	50231-459	5.4	9.5	21.1	7.0										
	RBP2-S5	50231-460	5.3	8.5	20.9	7.2										
	RBP2-6	50231-461	6.5	12.0	26.1	7.0	8.9	4.8	0.8	Blue	1.14	1.04	16-14	57259-5000	1,200	
	RBP2-8	50231-462	8.5													
	RBP2-10	50231-463	10.5	14.5	28.4	11.7										
	RBP2-12	50231-464	13.0	17.0	31.3	13.3										
	RBP3.5-3	50855-450	3.2	8.5	26.5	7.6	14.0	6.1	1.0	Yellow	1.82	2.63	12	57258-5000	1,200	
	RBP3.5-4	50855-451	4.3													
	RBP3.5-5	50855-452	5.3													
	RBP3.5-6	50855-453	6.4	12.0	30.5	9.8										
	RBP3.5-8	50855-454	8.4	14.5	33.7	11.8	14.0	6.1	1.0	Yellow	1.82	2.63	12	57343-9005	1,200	
	RBP3.5-10	50855-455	10.5													

(*) Replace * with
 • RBP Contact Molex.
 • 가

0 = White 1 = Black 2 = Red 3 = Yellow 4 = Blue 6 = Green 9 = Transparent

Insulated Solderless Terminals and Splices

RBP (, R) Ring Tongue, Nylon: Straight



98-0346
 KR9554
 E134962
 LR95446

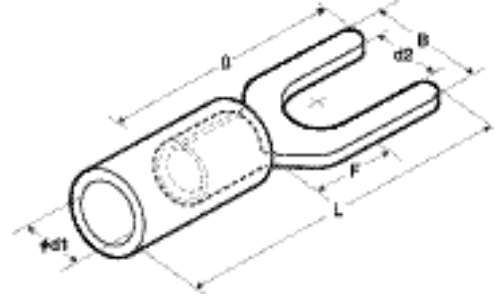
Standard	Type	Order No.	Dimension (mm)							Material Thickness	Color	Wire Range			Crimp Tool	Packaging
			d2	B	L	F	I	d1	Solid (mm)			Stranded(mm)	AWG (#)			
	RBP5.5-S3	50232-450	3.2	7.2	22.9	5.1	13.4	6.4	1.0	Yellow	1.82	2.63	12-10	57259-5000	1,200	
	RBP5.5-M3	50232-451		7.1	26.6	8.8										
	RBP5.5-S3.5	50232-452	3.7	7.2	22.9	5.1	13.4	6.4	1.0	Yellow	1.82	2.63	12-10	57343-5009	1,200	
	RBP5.5-M3.5	50232-453		7.1	26.6	8.8										
	RBP5.5-4	50232-454	4.4	9.5		5.0										
	RBP5.5-S4	50232-455	4.3	7.2	22.9	5.1	13.4	6.4	1.0	Yellow	1.82	2.63	12-10	57343-5009	1,200	
	RBP5.5-M4	50232-456		7.1	26.6	8.8										
	RBP5.5-5	50232-457	5.4	9.5	26.6	7.0										
	RBP5.5-S5	50232-458	5.3	8.0		8.4	13.4	6.4	1.0	Yellow	1.82	2.63	12-10	57343-9005	1,000	
	RBP5.5-L5	50232-459		12.0	29.4	9.4										
	RBP5.5-6	50232-460	6.5	12.0	29.4	7.0										
	RBP5.5-8	50232-461	8.5	15.0	34.9	9.0										
	RBP5.5-10	50232-462	10.5	15.0	34.4	13.5										
	RBP5.5-12	50232-463	13.0	20.0	39.1	14.9										
	RBP5.5-14	50232-464	15.0	32.0	55.1	24.9	13.4	6.4	1.0	Yellow	1.82	2.63	12-10	57343-9005	1,000	
	RBP5.5-16	50232-465	17.0													
	RBP5.5-20	50232-466	21.0	32.0	55.1	24.9										

(*) Replace * with
 • RBP Contact Molex.
 • 가

0 = White 1 = Black 2 = Red 3 = Yellow 4 = Blue 6 = Green 9 = Transparent

Insulated Solderless Terminals and Splices

VSY (, Y) Spade Tongue, Vinyl: Straight



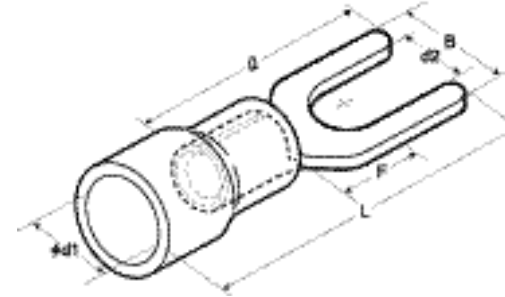
UL E134962 SR LR95446

Standard	Type	Order No.	Dimension (mm)					d1	Material Thickness	Color	Wire Range			Crimp Tool	Packaging
			d2	B	L	F	I				Solid (mm)	Stranded(mm ²)	AWG (#)		
UL SR	VSY0.5-2	50460-300	2.2	5.2	18.0	5.5	9.5	2.3	0.5	Yellow	0.5	0.2	24-20	57343-5007	10,000
UL SR	VSY0.5-3	50460-301	3.2												
UL SR	VSY0.5-3.5	50460-302	3.7												
UL SR	VSY0.5-4	50460-303	4.3	6.6	20.5	7.3	9.5	2.3	0.5	Yellow	0.5	0.2	24-20	57343-5007	10,000
UL SR	VSY0.5-5	50460-304	5.3	8.0											
UL SR	VSY1.25-3	50328-301	3.2	5.8	19.5	5.5	9.0	3.3	0.8	Red	0.57	0.3	22-16	57259-5000	10,000
UL SR	VSY1.25-3S	50328-300													
UL SR	VSY1.25-3.5	50328-302													
UL SR	VSY1.25-3.5L	50328-303	3.7	6.2	20.5	6.3	9.0	3.3	0.8	Red	0.57	0.3	22-16	57343-5008	6,000
UL SR	VSY1.25-4	50328-305	4.3	7.0	20.9	7.0	9.0	3.3	0.8	Red	0.57	0.3	22-16	57343-5008	
UL SR	VSY1.25-4S	50328-304		6.4	20.5	6.3									
UL SR	VSY1.25-4L	50328-306	5.3	9.5	20.9	7.0	9.0	3.3	0.8	Red	0.57	0.3	22-16	57343-5009	6,000
UL SR	VSY1.25-5	50328-307													
UL SR	VSY1.25-6	50328-308	6.4	12.0	24.5	8.3	9.0	4.0	0.8	Blue	1.14	1.04	16-14	57259-5000	6,000
UL SR	VSY2-3	50329-300	3.2	5.9	20.3	6.1	9.0	4.0	0.8	Blue	1.14	1.04	16-14	57343-5008	
UL SR	VSY2-3.5	50329-301													
UL SR	VSY2-3.5L	50329-302	3.7	6.4	21.3	7.1	9.0	4.0	0.8	Blue	1.14	1.04	16-14	57343-5009	6,000
UL SR	VSY2-4	50329-304	4.3	7.0	21.3	6.8	9.0	4.0	0.8	Blue	1.14	1.04	16-14	57259-5000	
UL SR	VSY2-4S	50329-303		6.4	20.5	6.1									57343-5008
UL SR	VSY2-4L	50329-305	5.3	9.5	21.3	6.8	9.0	4.0	0.8	Blue	1.14	1.04	16-14	57343-5009	6,000
UL SR	VSY2-5	50329-306													
UL SR	VSY2-6	50329-307	6.4	12.0	24.5	8.1	9.0	4.0	0.8	Blue	1.14	1.04	16-14	57259-5000	1,200
UL SR	VSY3.5-4	50891-300	6.4	12.0	24.5	8.1	9.0	4.0	0.8	Yellow	1.82	2.63	12	57258-5000	1,200
UL SR	VSY3.5-5	50891-301												57343-5009	
UL SR	VSY5.5-4S	50330-300	4.3	8.4	25.2	6.5	13.5	5.4	1.0	Yellow	1.82	2.63	12-10	57258-5000	1,200
UL SR	VSY5.5-4	50330-301												57343-5009	
UL SR	VSY5.5-5	50330-302	5.3	9.0	25.2	6.5	13.5	5.4	1.0	Yellow	1.82	2.63	12-10	57258-5000	1,200
UL SR	VSY5.5-6	50330-303	6.4	12.5	32.2	11.3	13.5	5.4	1.0	Yellow	1.82	2.63	12-10	57343-5009	

• Replace * with (*): 0=White, 1=Black, 2=Red, 3=Yellow, 4=Blue, 6=Green, 9=Transparent
 * 가

Insulated Solderless Terminals and Splices

VFY (, Y) Spade Tongue, Vinyl: Flared



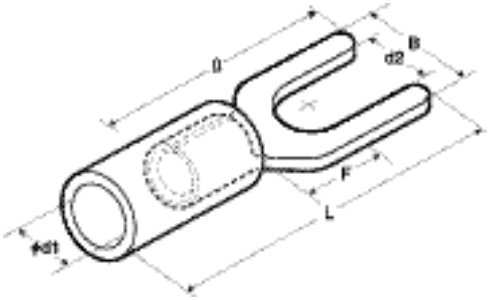
UL E134962 SR LR95446

Standard	Type	Order No.	Dimension (mm)					d1	Material Thickness	Color	Wire Range			Crimp Tool	Packaging
			d2	B	L	F	I				Solid (mm)	Stranded(mm ²)	AWG (#)		
UL SR	VFY0.5-2	50460-350	2.2	5.2	18.0	5.5	9.5	3.1	0.5	Yellow	0.5	0.2	24-20	57343-5007	10,000
UL SR	VFY0.5-3	50460-351	3.2												
UL SR	VFY0.5-3.5	50460-352	3.7												
UL SR	VFY0.5-4	50460-353	4.3	6.6	20.5	7.3	9.5	3.1	0.5	Yellow	0.5	0.2	24-20	57343-5007	10,000
UL SR	VFY0.5-5	50460-354	5.3	8.0											
UL SR	VFY1.25-3	50325-351	3.2	5.8	19.5	5.5	9.0	4.1	0.8	Red	0.57	0.3	22-16	57259-5000	10,000
UL SR	VFY1.25-3S	50325-350													
UL SR	VFY1.25-3.5	50325-352													
UL SR	VFY1.25-3.5L	50325-353	3.7	6.2	20.5	6.3	9.0	4.1	0.8	Red	0.57	0.3	22-16	57343-5008	6,000
UL SR	VFY1.25-4	50325-355	4.3	7.0	20.9	7.0	9.0	4.1	0.8	Red	0.57	0.3	22-16	57343-5008	
UL SR	VFY1.25-4S	50325-354		6.4	20.5	6.3									
UL SR	VFY1.25-4L	50325-356	5.3	9.5	20.9	7.0	9.0	4.1	0.8	Red	0.57	0.3	22-16	57343-5009	6,000
UL SR	VFY1.25-5	50325-357													
UL SR	VFY1.25-6	50325-358	6.4	12.0	24.5	8.3	9.0	4.1	0.8	Red	0.57	0.3	22-16	57343-5009	6,000
UL SR	VFY2-3	50326-350	3.2	5.9	20.3	6.1	9.0	4.8	0.8	Blue	1.14	1.04	16-14	57259-5000	
UL SR	VFY2-3.5	50326-351													
UL SR	VFY2-3.5L	50326-352	3.7	6.4	21.3	7.1	9.0	4.8	0.8	Blue	1.14	1.04	16-14	57343-5008	6,000
UL SR	VFY2-4	50326-354	4.3	7.0	21.3	6.8	9.0	4.8	0.8	Blue	1.14	1.04	16-14	57259-5000	
UL SR	VFY2-4S	50326-353		6.4	20.5	6.1									57343-5008
UL SR	VFY2-4L	50326-355	5.3	9.5	21.3	6.8	9.0	4.8	0.8	Blue	1.14	1.04	16-14	57343-5009	6,000
UL SR	VFY2-5	50326-356													
UL SR	VFY2-6	50326-357	6.4	12.0	24.5	8.1	9.0	4.8	0.8	Blue	1.14	1.04	16-14	57259-5000	1,200
UL SR	VFY3.5-4	50891-350	6.4	12.0	24.5	8.1	9.0	4.8	0.8	Blue	1.14	1.04	16-14	57259-5000	1,200
UL SR	VFY3.5-5	50891-351												57343-5009	
UL SR	VFY5.5-4S	50327-350	4.3	8.4	25.2	6.5	13.5	6.4	1.0	Yellow	1.82	2.63	12-10	57258-5000	1,200
UL SR	VFY5.5-4	50327-351												57343-5009	
UL SR	VFY5.5-5	50327-352	5.3	9.0	25.2	6.5	13.5	6.4	1.0	Yellow	1.82	2.63	12-10	57258-5000	1,200
UL SR	VFY5.5-6	50327-353	6.4	12.5	32.2	11.3	13.5	6.4	1.0	Yellow	1.82	2.63	12-10	57343-5009	

• Replace * with (*): 0=White, 1=Black, 2=Red, 3=Yellow, 4=Blue, 6=Green, 9=Transparent
 * 가

Insulated Solderless Terminals and Splices

APF (, Y) Spade Tongue, Nylon: Straight



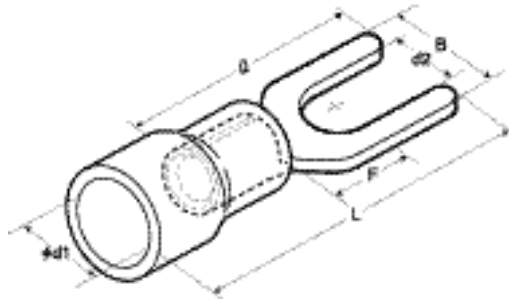
UL E134962 **SR** LR95446

Standard	Type	Order No.	Dimension (mm)						Material Thickness	Color	Wire Range			Crimp Tool	Packaging									
			d2	B	L	F	I	d1			Solid (mm)	Stranded(mm ²)	AWG (#)											
UL SR	APF0.5-2	50460-400	2.2	5.2	18.0	5.5	9.5	2.3	0.5	Yellow	0.5	0.2	24-20	57343-5007	10,000									
UL SR	APF0.5-3	50460-401	3.2																					
UL SR	APF0.5-3.5	50460-402	3.7																					
UL SR	APF0.5-4	50460-403	4.3	6.6	20.5	7.3																		
UL SR	APF0.5-5	50460-404	5.3													8.0	6.6							
UL SR	APF1.25-3	50328-401	3.2	5.8	19.5	5.5										9.0	3.3	0.8	Red	0.8	0.5	20-16	57343-5008 57343-9005	10,000
UL SR	APF1.25-3S	50328-400					3.7	6.2	20.5	6.3														
UL SR	APF1.25-3.5	50328-402									8.0	7.0												
UL SR	APF1.25-3.5L	50328-403	7.0	20.9	7.0																			
UL SR	APF1.25-4	50328-405	4.3	6.4	20.5	6.3	9.0	4.0	0.8	Blue	1.14	1.04	16-14	57259-5000 57343-5008 57343-9005	6,000									
UL SR	APF1.25-4S	50328-404																						
UL SR	APF1.25-4L	50328-406	6.4	12.0	24.5	8.3																		
UL SR	APF1.25-5	50328-407	3.7	6.4	20.3	6.1										9.0	4.0	0.8	Blue	1.14	1.04	16-14	57259-5000 57343-5008 57343-9005	6,000
UL SR	APF1.25-6	50328-408																						
UL SR	APF2-3	50329-400	4.3	6.4	20.5	6.1																		
UL SR	APF2-3.5	50329-401					5.3	9.5	21.3	6.8														
UL SR	APF2-3.5L	50329-402	6.4	12.0	24.5	8.1																		
UL SR	APF2-4	50329-404	3.7	6.4	20.3	7.1	9.0	4.0	0.8	Blue	1.14	1.04	16-14	57259-5000 57343-5008 57343-9005	6,000									
UL SR	APF2-4S	50329-403														4.3	6.4	20.5	6.1					
UL SR	APF2-4L	50329-405	5.3	9.5	21.3	6.8																		
UL SR	APF2-5	50329-406														6.4	12.0	24.5	8.1					
UL SR	APF2-6	50329-407	7.0	20.9	7.0																			
UL SR	APF3.5-4	50891-400	4.3	8.0	26.5	6.8										14.0	5.0	1.0	Yellow	1.82	2.63	12	57258-5000 57343-9005	1,200
UL SR	APF3.5-5	50891-401					5.3	9.0	25.2	6.5														
UL SR	APF5.5-4	50330-401	4.3	8.4	25.2	6.5																		
UL SR	APF5.5-4S	50330-400					5.3	9.0	11.3	13.5	5.4	1.0	Yellow	1.82	2.63									
UL SR	APF5.5-5	50330-402	6.4	12.5	32.2	11.3																		
UL SR	APF5.5-6	50330-403					8.0	26.5	6.8	14.0	5.0	1.0	Yellow	1.82	2.63									

(*)
 Replace * with 0= White 1=Black 2=Red 3=Yellow 4=Blue 6=Green 9=Transparent
 * APF Contact Molex.
 가 가

Insulated Solderless Terminals and Splices

BPF (, Y) Spade Tongue, Nylon: Flared



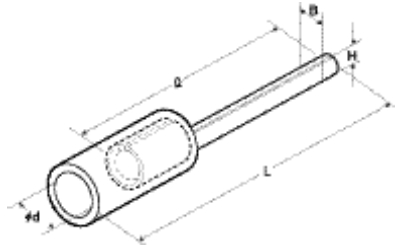
UL E134962 **SR** LR95446

Standard	Type	Order No.	Dimension (mm)						Material Thickness	Color	Wire Range			Crimp Tool	Packaging									
			d2	B	L	F	I	d1			Solid (mm)	Stranded(mm ²)	AWG (#)											
UL SR	BPF0.5-2	50460-450	2.2	5.2	18.0	5.5	9.5	3.1	0.5	Yellow	0.5	0.2	24-20	57343-5007	10,000									
UL SR	BPF0.5-3	50460-451	3.2																					
UL SR	BPF0.5-3.5	50460-452	3.7																					
UL SR	BPF0.5-4	50460-453	4.3	6.6	20.5	7.3																		
UL SR	BPF0.5-5	50460-454	5.3													8.0	6.6	9.0						
UL SR	BPF1.25-3	50325-451	3.2	5.8	19.5	5.5										9.0	4.1	0.8	Red	0.8	0.5	20-16	57343-5008 57343-9005	10,000
UL SR	BPF1.25-3S	50325-450					3.7	6.2	20.5	6.3														
UL SR	BPF1.25-3.5	50325-452									7.0	20.9	7.0											
UL SR	BPF1.25-3.5L	50325-453	4.3	6.4	20.5	6.3	9.0	4.8	0.8	Blue	1.14	1.04	16-14	57259-5000 57343-5008 57343-9005	6,000									
UL SR	BPF1.25-4	50325-455																						
UL SR	BPF1.25-4S	50325-454	6.4	12.0	24.5	8.3																		
UL SR	BPF1.25-4L	50325-456														7.0	21.3	6.8						
UL SR	BPF1.25-5	50325-457	3.7	6.4	20.3	7.1													9.0	4.8	0.8	Blue	1.14	1.04
UL SR	BPF1.25-6	50325-458														4.3	6.4	20.5						
UL SR	BPF2-3	50326-450	5.3	9.5	21.3	6.8																		
UL SR	BPF2-3.5	50326-451					6.4	12.0	24.5	8.1														
UL SR	BPF2-3.5L	50326-452	7.0	21.3	6.8																			
UL SR	BPF2-4	50326-454				3.7	6.4	20.3	7.1	9.0	6.1	1.0	Yellow	1.82	2.63	12	57343-5000 57343-9005	1,200						
UL SR	BPF2-4S	50326-453	4.3	6.4	20.5														6.1					
UL SR	BPF2-4L	50326-455				5.3	9.5	21.3	6.8															
UL SR	BPF2-5	50326-456	6.4	12.0	24.5														8.1					
UL SR	BPF2-6	50326-457				8.0	26.5	6.8	14.0											6.1	1.0	Yellow	1.82	2.63
UL SR	BPF3.5-4	50891-450	4.3	8.0	26.5	6.8	14.0	6.1	1.0										Yellow	1.82	2.63	12-10	57258-5000 57343-9005	1,200
UL SR	BPF3.5-5	50891-451								5.3	9.0	25.2	6.5											
UL SR	BPF5.5-4	50327-451	4.3	8.4	25.2	6.5																		
UL SR	BPF5.5-4S	50327-450								5.3	9.0	11.3	13.5	6.4	1.0	Yellow	1.82	2.63						
UL SR	BPF5.5-5	50327-452	6.4	12.5	32.2	11.3																		
UL SR	BPF5.5-6	50327-453								8.0	26.5	6.8	14.0	6.1	1.0	Yellow	1.82	2.63						

(*)
 Replace * with 0= White 1=Black 2=Red 3=Yellow 4=Blue 6=Green 9=Transparent
 * BPF Contact Molex.
 가 가

Insulated Solderless Terminals and Splices

A Wire Pin Terminal: Straight



AVA Vinyl E134962 LR95446

Standard	Type	Order No.	Dimension (mm)					Material Thickness (t)	Color	Wire Range			Crimp Tool	Packaging		
			B	H	L	I	d			Solid (mm)	Stranded(mm)	AWG (#)				
	AVA-1.25	50896-300	1.6	1.6	22.2	9.5	3.3	0.8	Red	0.8-1.44	0.5-1.65	20-16	57343-5008	10,000		
	AVA-1.25LB	50896-301	1.7	1.7	26.5				Blue	1.14-1.82	1.04-2.63	16-14			57343-9005	6,000
	AVA-2	50896-302	1.6	1.6	22.2				4.1	0.8	Blue	1.14-1.82	1.04-2.63	16-14		
	AVA-2LB	50896-303	1.7	1.7	26.5										Yellow	1.82-2.89
	AVA-5.5	50896-304	2.0	2.0	28.7	14.0	5.4									

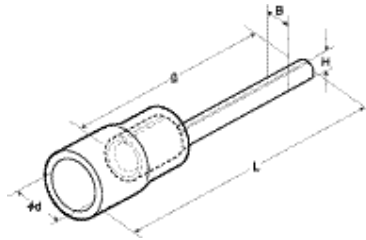
* Replace * with (*) 0 = White 1 = Black 2 = Red 3 = Yellow 4 = Blue 6 = Green 9 = Transparent

APA Nylon E134962 LR95446

Standard	Type	Order No.	Dimension (mm)					Material Thickness (t)	Color	Wire Range			Crimp Tool	Packaging		
			B	H	L	I	d			Solid (mm)	Stranded(mm)	AWG (#)				
	APA-1.25	50896-400	1.6	1.6	26.5	9.5	3.3	0.8	Red	0.8-1.44	0.5-1.65	20-16	57343-5008	10,000		
	APA-1.25LB	50896-401	1.7	1.7					Blue	1.14-1.82	1.04-2.63	16-14			57343-9005	6,000
	APA-2	50896-402	1.6	1.6					4.1	0.8	Blue	1.14-1.82	1.04-2.63	16-14		
	APA-2LB	50896-403	1.7	1.7											Yellow	1.82-2.89
	APA-5.5	50896-404	2.0	2.0	28.7	14.0	5.4									

* Replace * with (*) 0 = White 1 = Black 2 = Red 3 = Yellow 4 = Blue 6 = Green 9 = Transparent
 * APA Contact Molex.

A Wire Pin Terminal: Flared



BVA Vinyl E134962 LR95446

Standard	Type	Order No.	Dimension (mm)					Material Thickness (t)	Color	Wire Range			Crimp Tool	Packaging		
			B	H	L	I	d			Solid (mm)	Stranded(mm)	AWG (#)				
	BVA-1.25	50896-350	1.6	1.6	22.2	9.5	4.1	0.8	Red	0.8-1.44	0.5-1.65	20-16	57343-5008	10,000		
	BVA-1.25LB	50896-351	1.7	1.7	26.5				Blue	1.14-1.82	1.04-2.63	16-14			57343-9005	6,000
	BVA-2	50896-352	1.6	1.6	22.2				4.7	0.8	Blue	1.14-1.82	1.04-2.63	16-14		
	BVA-2LB	50896-353	1.7	1.7	26.5										Yellow	1.82-2.89
	BVA-5.5	50896-354	2.0	2.0	28.7	14.0	6.4									

* Replace * with (*) 0 = White 1 = Black 2 = Red 3 = Yellow 4 = Blue 6 = Green 9 = Transparent

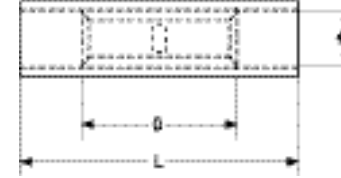
BPA Nylon E134962 LR95446

Standard	Type	Order No.	Dimension (mm)					Material Thickness (t)	Color	Wire Range			Crimp Tool	Packaging		
			B	H	L	I	d			Solid (mm)	Stranded(mm)	AWG (#)				
	BPA-1.25	50896-450	1.6	1.6	26.5	9.5	4.1	0.8	Red	0.8-1.44	0.5-1.65	20-16	57343-5008	10,000		
	BPA-1.25LB	50896-451	1.7	1.7					Blue	1.14-1.82	1.04-2.63	16-14			57343-9005	6,000
	BPA-2	50896-452	1.6	1.6					4.7	0.8	Blue	1.14-1.82	1.04-2.63	16-14		
	BPA-2LB	50896-453	1.7	1.7											Yellow	1.82-2.89
	BPA-5.5	50896-454	2.0	2.0	28.7	14.0	6.4									

* Replace * with (*) 0 = White 1 = Black 2 = Red 3 = Yellow 4 = Blue 6 = Green 9 = Transparent
 * BPA Contact Molex.

Insulated Solderless Terminals and Splices

B Butt Splice: Straight



AVB Vinyl In Process Request

Standard	Type	Order No.	Dimension (mm)			Color	Wire Range			Crimp Tool	Packaging
			L	I	d		Solid (mm)	Stranded(mm)	AWG (#)		
	AVB-1.25	50530-300	25.0	15.0	3.2	Red	0.8-1.44	0.5-1.65	20-16	57259-5000	10,000
	AVB-2	50530-301			4.0	Blue	1.14-1.82	1.04-2.63	16-14		
	AVB-5.5	50530-302			27.0	5.2	Yellow	1.82-2.89	2.63-6.64	12-10	57258-5000

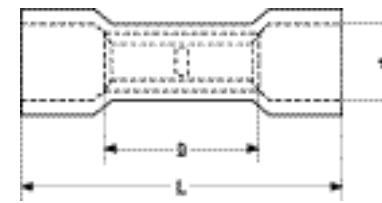
* Replace * with (*) 0 = White 1 = Black 2 = Red 3 = Yellow 4 = Blue 6 = Green 9 = Transparent

APB Nylon In Process Request

Standard	Type	Order No.	Dimension (mm)			Color	Wire Range			Crimp Tool	Packaging
			L	I	d		Solid (mm)	Stranded(mm)	AWG (#)		
	APB-1.25	50530-400	25.0	15.0	3.2	Red	0.8-1.44	0.5-1.65	20-16	57259-5000	10,000
	APB-2	50530-401			4.0	Blue	1.14-1.82	1.04-2.63	16-14		
	APB-5.5	50530-402			27.0	5.2	Yellow	1.82-2.89	2.63-6.64	12-10	57258-5000

* Replace * with (*) 0 = White 1 = Black 2 = Red 3 = Yellow 4 = Blue 6 = Green 9 = Transparent

B Butt Splice: Flared



BVB Vinyl In Process Request

Standard	Type	Order No.	Dimension (mm)			Color	Wire Range			Crimp Tool	Packaging
			L	I	d		Solid (mm)	Stranded(mm)	AWG (#)		
	BVB-1.25	50530-350	25.0	15.0	4.1	Red	0.8-1.44	0.5-1.65	20-16	57259-5000	10,000
	BVB-2	50530-351			4.7	Blue	1.14-1.82	1.04-2.63	16-14		
	BVB-5.5	50530-352			27.0	6.4	Yellow	1.82-2.89	2.63-6.64	12-10	57258-5000

* Replace * with (*) 0 = White 1 = Black 2 = Red 3 = Yellow 4 = Blue 6 = Green 9 = Transparent

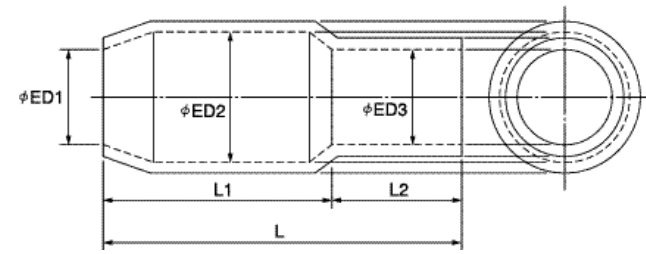
BPB Nylon In Process Request

Standard	Type	Order No.	Dimension (mm)			Color	Wire Range			Crimp Tool	Packaging
			L	I	d		Solid (mm)	Stranded(mm)	AWG (#)		
	BPB-1.25	50530-450	25.0	15.0	4.1	Red	0.8-1.44	0.5-1.65	20-16	57343-5008	10,000
	BPB-2	50530-451			4.7	Blue	1.14-1.82	1.04-2.63	16-14		
	BPB-5.5	50530-452			27.0	6.4	Yellow	1.82-2.89	2.63-6.64	12-10	57258-5000

* Replace * with (*) 0 = White 1 = Black 2 = Red 3 = Yellow 4 = Blue 6 = Green 9 = Transparent

* B Contact Molex.

Vinyl Insulation Cap



Type	Order No.	Dimension (mm)						(1) Material Thickness	Packaging	
		D1	D2	D3	L	L1	L2			
V-1.25 (*)	59732-010*	2.8	3.3	3.1	13.0	6.0	7.0	0.8	1,000	
V-2 (*)	59732-020*	3.3	4.5	3.7	14.0	7.0	1.0			
V-3.5 (*)	59732-030*	4.2	5.7	4.3	17.0	9.0				8.0
V-5.5 (*)	59732-040*	4.8		5.2						
V-8 (*)	59732-050*	6.2	7.2	6.2	19.0	10.0	9.0	1.1	100	
V-14 (*)	59732-060*	7.5	10.0	8.0	25.0	14.0	11.0			
V-22 (*)	59732-070*	10.5	12.0	9.5	30.0	15.0	15.0			1.2
V-38 (*)	59732-080*	12.5	14.0	11.8	34.0	17.5	16.5			
V-60 (*)	59732-090*	15.0	16.8	13.5	39.0	20.0	19.0	1.5	50	
V-80 (*)	59732-100*	17.0	19.0	16.0	47.0	25.0	22.0			
V-100 (*)	59732-110*	19.0	22.0	18.0	54.0	30.0	24.0	1.7	25	
V-150 (*)	59732-120*	23.0	24.5	22.0	65.0	35.0	30.0			
V-200 (*)	59732-130*	27.0	32.0	24.0						
V-250 (*)	59732-140*	29.0	38.0	26.5	77.0	36.0	41.0	2.5	20	
V-325 (*)	59732-150*			29.0	79.0	37.0	42.0			

(*) Replace * with 0 = White, 1 = Black, 2 = Red, 3 = Yellow, 4 = Blue, 6 = Green, 7 = Transparent, 8 = Dark Red. Contact Molex.

Application Tooling

Molex's Application Tooling for Solderless Terminals includes hand crimpers, and pneumatic and electrically operated tools. For operation details, please see the Users Guides for each tool.

Hand Crimper	34	Hydraulic Pump	37
Hydraulic Hand Crimper	36	Foot-Operated Pneumatic Tool	38
Hydraulic Tool (Head Separated Type)	36	Semi-Automatic Terminator	38
Electrically Operated Hydraulic Tool	37	C Tool for Tapping Splice and Tubular Lug	39

Hand Crimper

For Non-Insulated Solderless Terminals and Splices



Product Number : 57343-5001
Wire Range : 0.3, 0.5mm²
/ Overall Length/Weight : 275mm/430g



Product Number : 57343-5002
Wire Range : 1.25, 2mm²
/ Overall Length/Weight : 185mm/210g
Reference : JIS C9711 Standard Product



Product Number : 57343-5004
Wire Range : 2, 3.5, 5.5, 8, 14mm²
/ Overall Length/Weight : 297mm/550g
Reference : JIS C9711 Standard Product



Product Number : 57257-5000
Wire Range : 1.25, 3.5, 5.5, 8mm²
/ Overall Length/Weight : 275mm/430g
Reference : JIS C9711 Standard Product

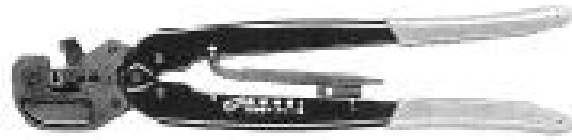


Product Number : 57343-5005
Applicable Range : E - Large, Medium, Small
/ Overall Length/Weight : 290mm/490g
Reference : JIS C9711 Standard Product

Application Tooling

Hand Crimper

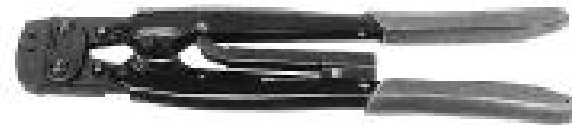
For Insulated Solderless Terminals and Splices



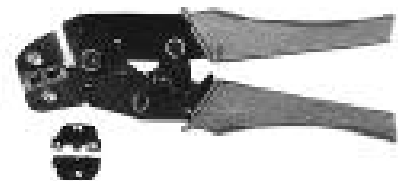
Product Number : 57258-5000
 Wire Range : 3.5, 5.5mm²
 / Overall Length/Weight : 325mm/910g



Product Number : 57259-5000
 Wire Range : 1.25, 2mm²
 / Overall Length/Weight : 270mm/490g



Product Number : 57343-5007
 Wire Range : 0.3, 0.5mm²
 / Overall Length/Weight : 265mm/500g

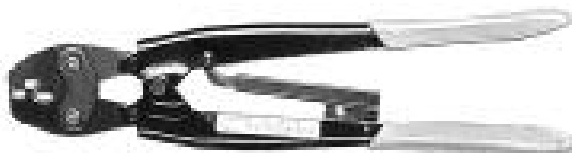


Product Number : 57343-5008
 Wire Range : 1.25, 2mm²
 / Overall Length/Weight : 195mm/350g
 Reference : Applicable for Insulated and Non-Insulated Solderless Terminals (Die needs to be changed in each case)

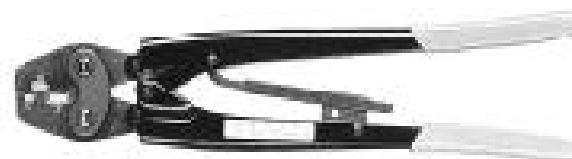


Product Number : 57343-5009
 Wire Range : 1.25, 2, 5.5mm²
 / Overall Length/Weight : 250mm/520g
 Reference : Applicable for Insulated/Non-Insulated Solderless Terminals and Splices (Die needs to be changed in each case.)

For Insulated Connectors



Product Number : 57343-5010
 Wire Range : CE-1, CE-2, CE-5, CD-1, CD-2, CD-5
 / Overall Length/Weight : 275mm/440g
 : JIS C2807 CE
 Reference : Applicable for JIS C2807 compliant Closed-End connectors



Product Number : 57343-5011
 Wire Range : CE-2, CE-5, CE-8, CD-2, CD-5
 / Overall Length/Weight : 325mm/630g
 : JIS C2807 CE
 Reference : Applicable for JIS C2807 compliant Closed-End connectors

Application Tooling

Hydraulic Hand Crimper

For Non-Insulated Solderless Terminals and Splices



Product Number : 57343-5012
 가 Tonnage : 54kN(5.5tonf)
 Wire Range : 14~60mm²
 / Overall Length/Weight : 364mm/2.1kg
 Dies : (Male) 14-38, 60
 (Female) 14, 22, 38, 60
 : JIS C9711
 Reference : JIS C9711 Standard Product (with plastic carrying case)



Product Number : 57343-5013
 가 Tonnage : 118kN(12tonf)
 Wire Range : 14~150mm²
 / Overall Length/Weight : 508mm/4.2kg
 Dies : (Male) 14, 22, 38-70, 80-150
 (Female)
 : JIS C9711
 Reference : JIS C9711 Standard Product (with plastic carrying case)

Hydraulic Tool (Head Separated Type)

For Non-Insulated Solderless Terminals and Splices



Product Number : 57343-9001
 가 Tonnage : 226kN(23tonf)
 Wire Range : 42.42~325mm²
 Normal : 60~325
 / Overall Length/Weight : 210mm/7.5kg
 Dies : (Male) 22-60, 70-100, 150-325
 (Female) 60, 80, 100, 150, 180, 200, 325
 : 85 cc, JIS C9711
 Reference : Oil level 85cc
 JIS C9711 Standard Product (with metal carrying case)



Product Number : 57343-9002
 가 Tonnage : 226kN(23tonf)
 Wire Range : 42.42~325mm²
 Normal : 60~325
 / Overall Length/Weight : 280mm/9.1kg
 Dies : (Male) 22-60, 70-100, 150-325
 (Female) 60, 80, 100, 150, 180, 200, 325
 : 85 cc, JIS C9711
 Reference : Oil level 85cc
 JIS C9711 Standard Product (with metal carrying case)

Application Tooling

Electrically Operated Hydraulic Tool



Product number : 57343-9003
 Wire Range : 14~60mm²
 가 Tonnage : 54kN(5.5tonf)
 Power Supply : 14.4V DC Motor
 Size : 260 x 240 x 70mm
 Weight : 2.5kg (Excluding battery's weight)
 가 : 80 (60mm²) ~ 140 (14mm²) (1 가)
 : JIS C9711
 : (1.2Ah, 60), , ,
 (14-38, 60mm²), (14/22/38, 60mm²)
 Crimp Cycles : 80 (60mm² wire) to 140 (14mm² wire), with a fully-charged battery pack
 Reference : JIS C9711 Standard Product
 Standard Accessories : Battery pack (rated capacity: 1.2Ah, recharge time: 60 minutes)
 Battery charger, Carrying case
 Male die (14-38, 60mm²), Female die (14/22/38, 60mm²)



Product number : 57343-9004
 Wire Range : 14~150mm²
 가 Tonnage : 98kN(10tonf)
 Power Supply : 14.4V DC Motor
 Size : 340 x 256 x 70mm
 Weight : 3.7kg (Excluding battery's weight)
 가 : 30 (150mm²) ~ 50 (14mm²) (1 가)
 : JIS C9711 , , (LED)
 : (1.2Ah, 15)
 , , (14-150mm²)
 Crimp Cycles : 80 (60mm² wire) to 140 (14mm² wire), with a fully-charged battery pack
 Reference : JIS C9711 Standard Product
 Standard Accessories : Battery pack (rated capacity: 1.2Ah, recharge time: 60 minutes)
 Battery charger, Carrying case, Male/Female die (14-150mm²)

: 가
 Note: Crimp cycles vary depending on the condition of recharge and the aging deterioration of battery performance.

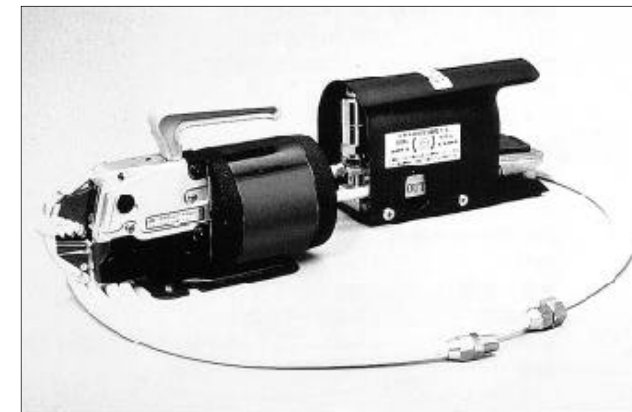
Hydraulic Pump



Product number : 57343-9012
 / Oil Level/Weight : 3 liter/30kg
 Size : 354 x 200 x 403mm
 Power Supply : 100V 550W
 Hose : Order separately
 : 68MPa (700kgf/cm²)
 2MPa (20kgf/cm²)
 : 0.6 l/min 2.6 l/min,
 : JIS C9711 , 5m,
 3m
 Setting Pressure: High 68MPa (700kgf/cm²) Low 2MPa (20kgf/cm²)
 with pressure controller
 Oil Discharge: High 0.6 liter per minute, Low 2.6 liter per minute
 Two-stage pressure type
 Reference : JIS C9711 Standard Product
 Length of remote controller cable = 5m
 Length of power cable = 3m

Application Tooling

Foot-Operated Pneumatic Tool



Product Number : 57343-9005
 Air Pressure : 5~6kgf/cm²
 / Size/Weight : 190 x 99 x 92mm/1.9kg
 : 341/min (30)
 : 10kgf/cm²
 :
 : 2m,
 2m
 Air Consumption: 341/min (in case of 30 crimping actions per minute)
 Hose : 10kgf/cm² high pressure type with PT 1/4 mouth piece
 Operation style : Foot pedal
 Reference : Head should be ordered separately
 Hose Length: 2m from air Joint to foot pedal, 2m from foot pedal to tool body.

Head Types



Head Types			
Product Number	Tooling Dies	Crimp Range	
57343-9006	1	1.25~5.5mm ²	Non-Insulated Solderless Terminals
57343-9007	3	1.25mm ²	Insulated Solderless Terminals
57343-9008	4	2mm ²	
57343-9009	5	5.5mm ²	CE
57343-9010	7	CE-2, CE-5	
57343-9011	8	CE-1, CE-8	Insulated Closed-End Connector

Semi-Automatic Terminator

35941-2000



Product Number : 35941-2000
 Crimping Speed : 0.4 sec
 Stroke : 30 m/m, 38 m/m (optional)
 / Size/Weight : 270Lx460Wx490H (mm) 90kg
 Power : 220V 60Hz, 110V 50/60 Hz (optional)
 Motor : 1/4 Hp

Application Tooling

C

Tool for Tapping Splice and Tubular Lug



Product Number : 57343-5014
 가 Tonnage : 20kN(2tonf)
 / Overall Length/Weight : 320mm/630g
 Applicable Range : T-11, T-16
 Dies :
 : Fixed on ratchet



Product Number : 57343-5015
 가 Tonnage : 58kN(6tonf)
 / Overall Length/Weight : 460mm/2.9kg
 Applicable Range : T-20~T-122
 Dies : T-20, T-26, T-44, T-60, T-76, T-98, T-122
 Reference : With plastic carrying case



Product Number : 57343-5016
 가 Tonnage : 118kN(12tonf)
 / Overall Length/Weight : 610mm/5.7kg
 Applicable Range : T-20~T-365
 Dies : T-11, T-16, T-20, T-26, T-44, T-60, T-76, T-98, T-122, T-154, T-190, T-240, T-288, T-365
 : 12 가 ,
 Reference : Tool kit with 12 dies(T-20 to T-365) also available with metal carrying case



Product Number : 57343-9013
 가 Tonnage : 118kN(12tonf)
 / Overall Length/Weight : 286mm/4.5kg
 Applicable Range : T-154~T-365
 Dies : T-154, T-190, T-240, T-288, T-365
 Reference : With plastic carrying case



Product Number : 57343-9014
 가 Tonnage : 294kN(30tonf)
 / Overall Length/Weight : 380mm/17.2kg
 Applicable Range : T-450~T-700
 : 130cc,
 Reference : Oil level = 130cc, With metal carrying case (Order Separately) : Contact Molex

합성공구 실패표 Application Tooling Selection Guide

구멍 크기 mm Hole Size	0.5	0.6	1.25	2	3.6	6.6	8	14	22	38	60	70	80	100	150	180	200	250	325	기 타 Others	기타구 Hole Size Hole No.	
LEP Non-vented Hole	○																					
LEP vented Hole																						
LEP vented Hole																						
T Type																						
CS Type																						
CS Type																						
LEP Non-vented Hole																						
CS Type																						
CS Type																						
T Type																						
T Type																						
T Type																						
T Type																						
T Type																						

Perma-Seal



The insulation is a nylon shrink tubing with an inner wall of hot-melt adhesive. After the wire is crimped, heat is applied and the insulation shrinks and melts to give the crimp area a complete environmental seal. Wire range 10 to 22 AWG (0.10 to 6.60mm²)

Eyelet



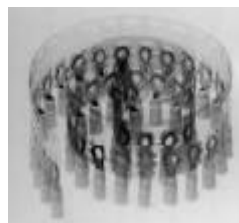
(CDA-1100)
Our color-coded eyelet terminals can be used in place of standard compression terminals because they are deep drawn from CDA-110 electrolytic tough pitch Copper stock and then Tin plated for corrosion resistance.

Hook



Y R
This tongue type combines the security advantage of the ring with the easy-handling characteristics of the spade.

Mylar Tape Carrier



AWG 4 ~ 26
Molex-ETC
()
3600
Most Molex-ETC terminals in the 4 to 26 AWG wire range and Fully Insulated Quick Disconnects can be tape-mounted and, when used with one of our air powered, automatic tape crimping presses, can deliver up to 3600 crimps per hour. This carrier gives the most flexibility in the production area.

Continuous Molded Strip



, Molex-ETC ACP-101
3600
The fully insulated line of Quick Disconnects is also available in easy-to-identify, color-coded, continuous molded nylon strips. When used with the Molex-ETC ACP-101 air powered crimping press, you can make up to 3600 crimps per hour, greatly reducing your overall applied costs.

Butt Splice



가
Stripped wires are inserted from each end and "butt" in the center. Then a crimp at each end secures the connection.

Step Down Butt Splice



가
The Step Down Butt Splice is the perfect solution when 2 wires need to be inserted in one end of a splice and a single wire in the other end.

Funnel Entry Butt Splice



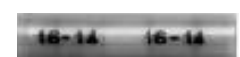
In the past, the crimping of machine terminated butt splices has been difficult and nearly impossible if attempted on a piece of robotic equipment. Now, with our new Funnel Entry Butt Splice, the end that will be crimped by the crimping press is funneled to allow quick and easy wire insertion.

Parallel Splice



가
Stripped wires lie side-by-side in the splice and are secured by a single crimp in the middle.

Avikrimp® Butt Splice



With the extra metal sleeve and nylon insulation, these splices should be used when heavy vibration is anticipated and a strong strain relief is needed.

Wire Tap



The quick and easy way to splice into a wire.

Window Butt Splice



QPL'd to Mil-T-7928/5

Single Row Barrier Terminal Strip



Dual Level PCB Barrier Terminal Strip



Double Row Barrier Terminal Strip



Eurostyle Header



Pluggable Eurostyle® Locking Block and Header



Eurostyle Two Screw Terminal Strip



Eurostyle Two Level (Fixed) Block



Single Row Tri-Barrier Terminal Strip



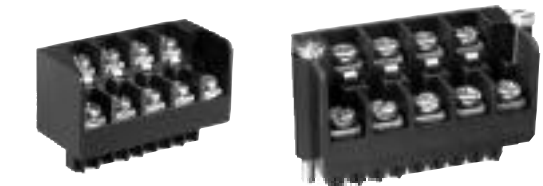
Single Row Phenolic Riveted Quick Connect Assembly



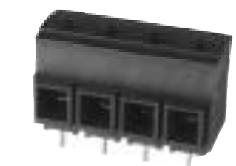
Pluggable Eurostyle®



Pluggable Euromate®



Eurostyle High Power (Fixed) Block



Eurostyle® Fixed Terminal Block



Eurostyle Three Level (Fixed) Block



/ 726-3
Tel : 031-492-9000
Fax : 031-491-4364

3 25-4
Tel : 02-780-2333
Fax : 02-780-3989

가 6 92-9
Tel : 054-472-6162
Fax : 054-472-6164

751-7
Tel : 062-944-0006
Fax : 062-944-6711

1 707-1
8
Tel : 051-818-4660
Fax : 051-818-4663



Bringing People & Technology Together, Worldwide™

Americas Headquarters
Lisle, Illinois 60532 U.S.A.
Tel: 1-800-78MOLEX
Fax: 630-969-1352

Far East North Headquarters
Yamato, Kanagawa, Japan
Tel: 81-462-65-2324
Fax: 81-462-65-2366

Far East South Headquarters
Jurong, Singapore
Tel: 65-6268-6868
Fax: 65-6265-2985

European Headquarters
Munich, Germany
Tel: 49-89-413092-0
Fax: 49-89-401527

Corporate Headquarters
2222 Wellington Court
Lisle, Illinois 60532 U.S.A.
Tel: 630-969-4550
Fax: 630-969-1352

www.molex.com

Printed in Korea/2K/KY/KY/2002.09

Order No. KOR-005/Rev.2

© 2002, Molex Korea