

PLEASE CHECK WWW.MOLEX.COM FOR LATEST PART INFORMATION

Part Number: [0781725006](#)
Status: **Active**
Overview: [picoezmate](#)
Description: 1.20mm (.047") Pico-EZmate™ Wire-to-Board Housing, 6 Circuits, Lead free

Documents:

[3D Model](#) [Product Specification PS-78172-001 \(PDF\)](#)
[Drawing \(PDF\)](#) [RoHS Certificate of Compliance \(PDF\)](#)

Agency Certification

CSA LR19980
 UL E29179

General

Product Family Crimp Housings
 Series [78172](#)
 Overview [picoezmate](#)
 Product Name Pico-EZmate™

Physical

Circuits (maximum) 6
 Color - Resin Black
 Flammability 94V-0
 Gender Receptacle
 Glow-Wire Compliant No
 Keying to Mating Part Yes
 Lock to Mating Part Yes
 Number of Rows 1
 Packaging Type Bag
 Panel Mount No
 Pitch - Mating Interface (in) 0.047 In
 Pitch - Mating Interface (mm) 1.20 mm
 Polarized to Mating Part Yes
 Ports 1
 Stackable No
 Temperature Range - Operating -25°C to +85°C

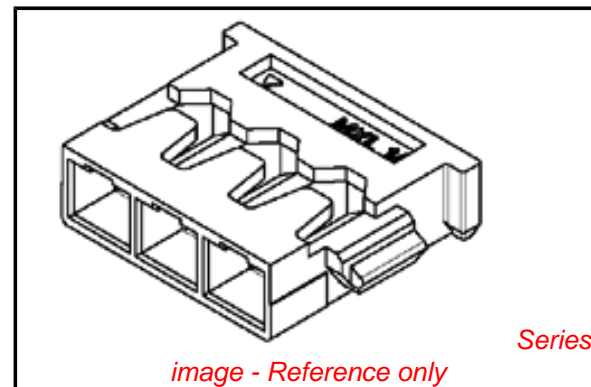
Electrical

Current - Maximum per Contact 1.5A

Material Info

Reference - Drawing Numbers

Application Specification AS-78172-001
 Product Specification PS-78172-001
 Sales Drawing SD-78172-001



EU RoHS

**ELV and RoHS
 Compliant**
**REACH SVHC
 Contains SVHC: No**
**Halogen-Free
 Status
 Not Reviewed**

China RoHS



**Need more information on product
 environmental compliance?**

Email productcompliance@molex.com
 For a multiple part number RoHS Certificate of
 Compliance, [click here](#)

Please visit the [Contact Us](#) section for any
 non-product compliance questions.

Search Parts in this Series

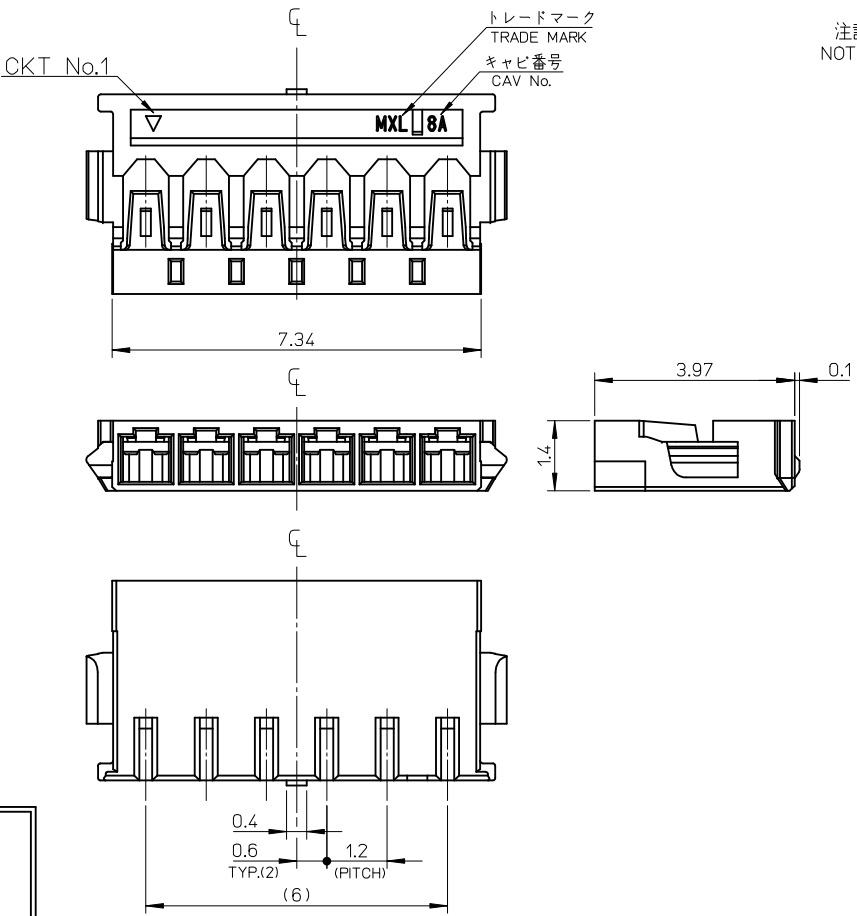
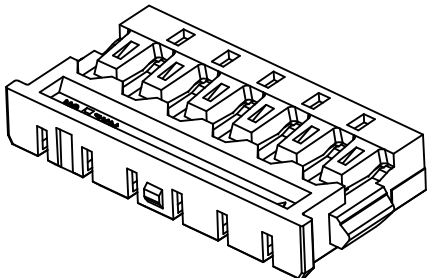
[78172Series](#)

Mates With

[78171 Header](#)

Use With

[78172-0410 Crimp Terminals](#)



- 注記 NOTES.
- 材質 ハウジング: PA46, UL94V-2, 色: 黒
MATERIALS HOUSING: PA46, UL94V-2, COLOUR: BLACK
 - 適合ターミナル: 78172-041*
APPLICABLE TERMINAL: 78172-041*
 - 嵌合相手: 78171-5006
MATES WITH
極数 No. / CIRCUIT No.
 - 梱包形態: 袋詰め梱包
PACKAGING SPECIFICATION: PLASTIC BAG PACKAGING
- 製品番号は右記の内容を示す: 78172-5006
PRODUCT NUMBER INDICATES FOLLOWING
極数 No. / CIRCUIT No.
- ELV 及び RoHS 適合品
ELV AND RoHS COMPLIANT
 - 参考として本製品評価時に使用の電線仕様を以下に示します。
THE ELECTRIC WIRE SPECIFICATION USED AS REFERENCE AT THE TIME OF THIS PRODUCT EVALUATION IS SHOWN BELOW.

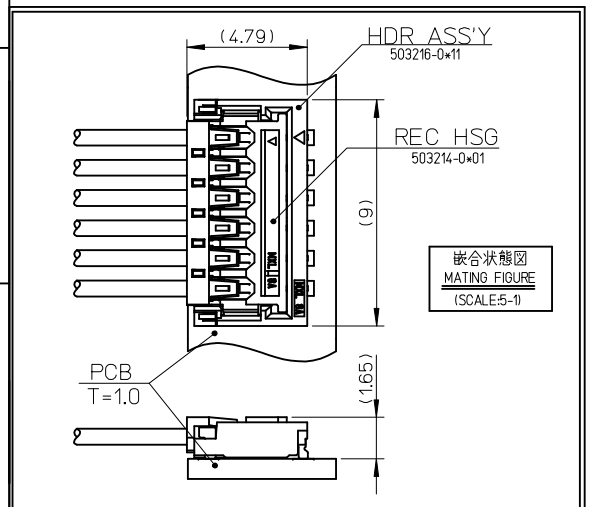
※製品評価時使用電線
UL 3302電線
UL STYLE 3302

電線サイズ WIRE SIZE	導体仕様 CONDUCTOR SPEC.	導体構成 STRANDING, (No./mm)	導体外径 CONDUCTOR DIA. (mm)	絶縁体外径 INSULATION DIA. (mm)
AWG# 30	錫メッキ軟銅線 TINNED ANNEALED COPPER	7/0.10	0.30	0.70

UL 3302電線
UL STYLE 3302

電線サイズ WIRE SIZE	導体仕様 CONDUCTOR SPEC.	導体構成 STRANDING, (No./mm)	導体外径 CONDUCTOR DIA. (mm)	絶縁体外径 INSULATION DIA. (mm)
AWG# 28	錫メッキ軟銅線 TINNED ANNEALED COPPER	7/0.127	0.38	0.6

8. 製品の取扱いについては取扱説明書"AS-78172-001"を参照願います。
REFER TO INSTRUCTION MANUAL "AS-78172-001"



RELEASED EC NO: J2009-1273 DRWN: TODA 2008/11/17 CHKD: SA.SATO 2008/11/18 APPR: S.TSUKAWA KAWA 08/11/18 REV: A	GENERAL TOLERANCES (UNLESS SPECIFIED)		DIMENSION STYLE MM ONLY		SCALE 10:1	78172-5006 MATERIAL NO.	78172-500* MODEL NO.	
	10 UNDER ±0.2 10 OVER 30 UNDER ±0.25 30 OVER ±0.3	±0.2 ±0.25 ±0.3	DRAWN BY T.ODA	DATE 08/06/16	TITLE 12W/B CONN REC CRIMP HSG 6CKT	DESIGN UNITS METRIC	THIRD ANGLE PROJECTION	
	ANGULAR ±1 ° DRAFT WHERE APPLICABLE MUST REMAIN WITHIN DIMENSIONS		APPROVED BY S. ICHIKAWA	DATE 08/06/16	MOLEX MOLEX INCORPORATED	DOCUMENT NO. SD-78172-001		
			SEE CHART	THIS DRAWING CONTAINS INFORMATION THAT IS PROPRIETARY TO MOLEX INCORPORATED AND SHOULD NOT BE USED WITHOUT WRITTEN PERMISSION	SHEET NO. 1 OF 1			