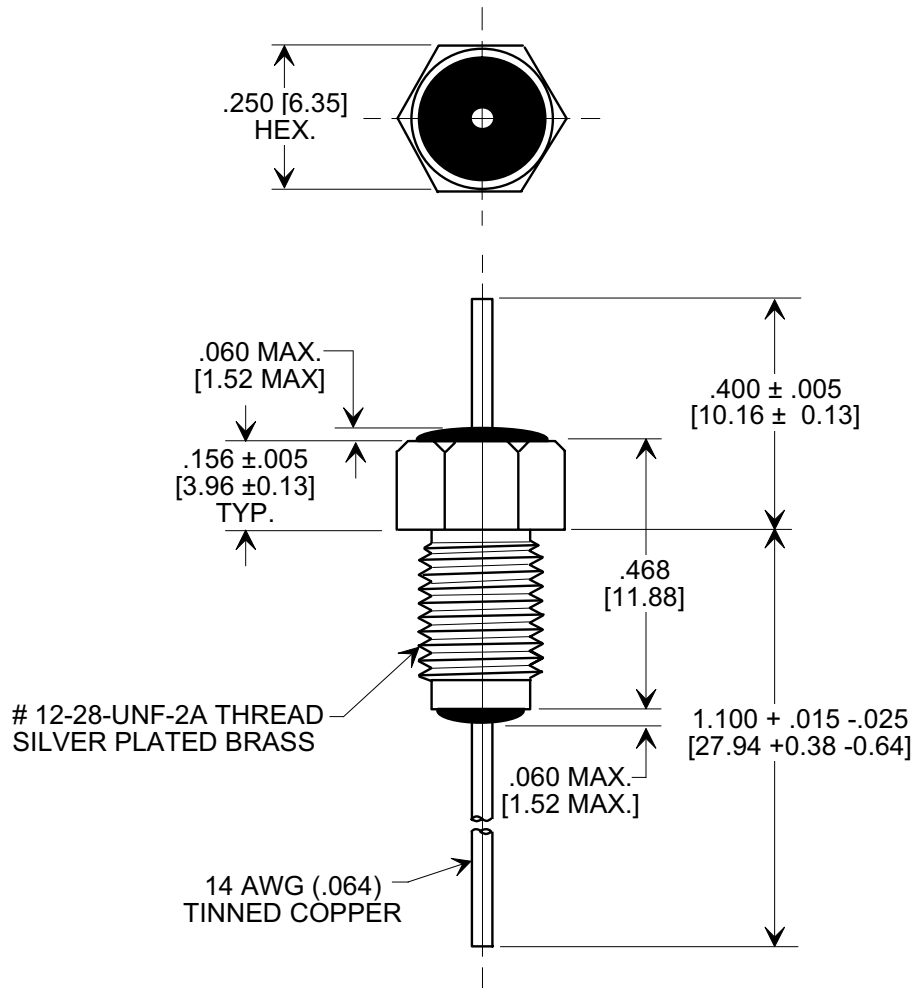
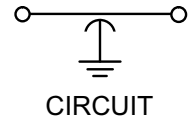
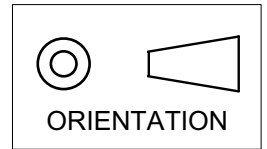


MARKETING SALES DRAWING
DIMENSIONS IN INCHES - DO NOT SCALE THIS DRAWING
DIMENSIONS IN METRIC - []

Electrical Testing
per Tusonix standard
test plans and Mil-Std-202
Test Methods.



12-28-UNF-2A THREAD
SILVER PLATED BRASS

14 AWG (.064)
TINNED COPPER

NOTE:

1. SUPPLIED WITH SILVER PLATED HEX NUT AND INTERNAL TOOTH LOCK WASHER.

CAP. VALUE	1500pF
CAP. TOL.	+80% -20%
TEMP. COEF.	X5F
VOLT. RATING	1000 VDC +85°C
RATED CURRENT	25 Adc
OPERATING TEMP. RANGE	-55 TO +85°C
TESTED TO TUSONIX STANDARD COMMERCIAL SPECIFICATIONS	DWV 1750 VDC

X-2015 Rev-0

REVISION RECORD Original Release C.O. WAS SK 8086-000 L.E. 07-24-02 20020716-4-03 DIM'S REVISED PER SK 8086-001 REF. L.E. 10-22-02 20021008-1-02	0	1	--TOLERANCES-- Unless Otherwise Specified		FEED-THRU CAPACITOR	
	DECIMAL ± .015 [0.38]		Title A 2499-534-X5F0-152Z			
	TUSONIX TUCSON, ARIZONA				Drawn S.M. 05-30-02 Scale 3X Approved T.C. 05-30-02	