



Features

- Super-thin 4.5 mm square SMD
- Two different operating forces
- 0.55 mm height without knob
- Compatible with surface mount reflow soldering processes
- RoHS compliant*

Model STJN-4 is currently available, although not recommended for new designs.

OBSOLETE

STJN-4 SMD Super-Thin Tact Switch

Electrical Characteristics

Max. Power Rating 12 VDC max., 20 mA
 Contact Resistance100 milliohms max.
 Insulation Resistance50 megohms min., 100 VDC
 Dielectric StrengthAC 100 V for 1 minute
 Bounce
 On3 ms max.
 Off10 ms max.
 CircuitN.O. SPST

Mechanical Characteristics

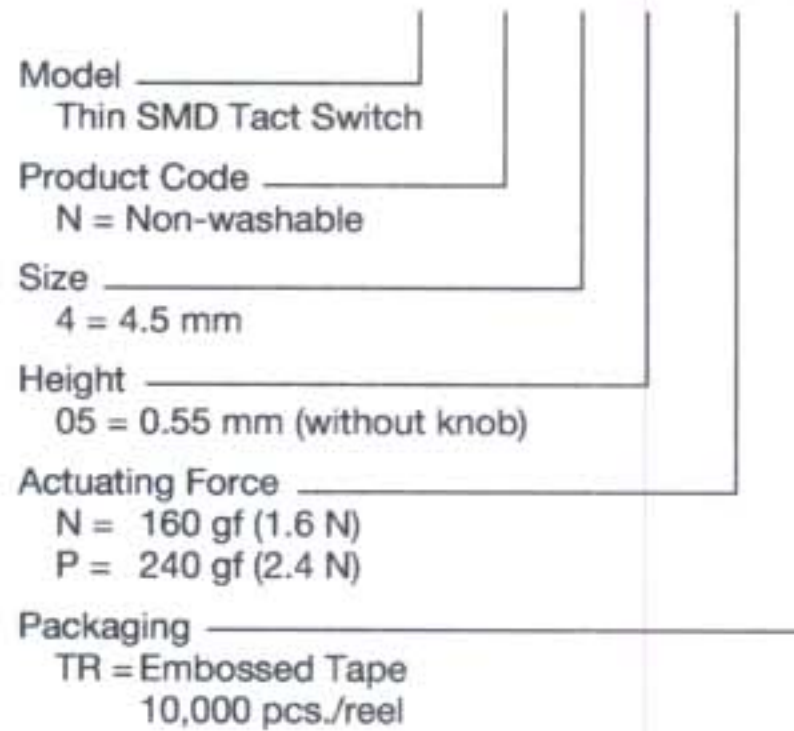
Mechanical Life50,000 cycles min.
 Actuation Force
160 gf \pm 50 gf (1.6 N \pm 0.5 N)
240 gf \pm 60 gf (2.4 N \pm 0.6 N)
 Stroke0.2 mm \pm 0.1 mm

General Characteristics

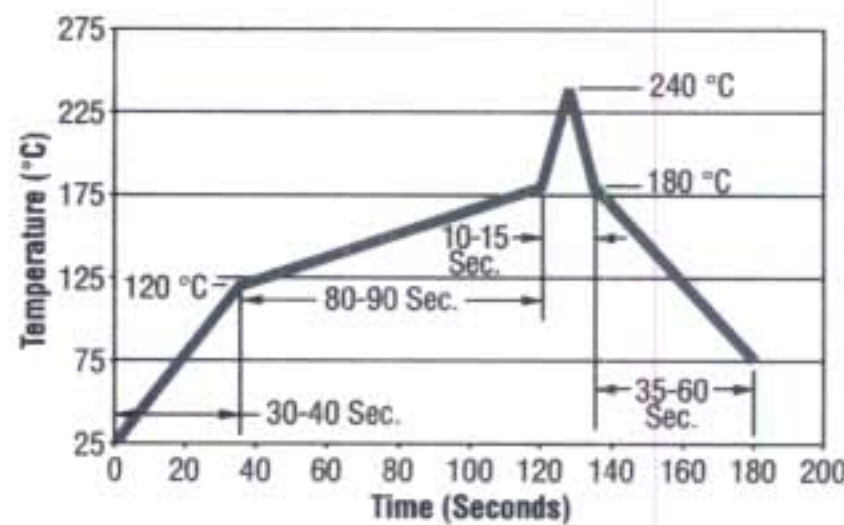
Switch Type(N.O.) SPST
 Operating Temperature Range-20 °C to +70 °C
 Storage Temperature Range-40 °C to +85 °C

How to Order

STJ N - 4 05 - N TR

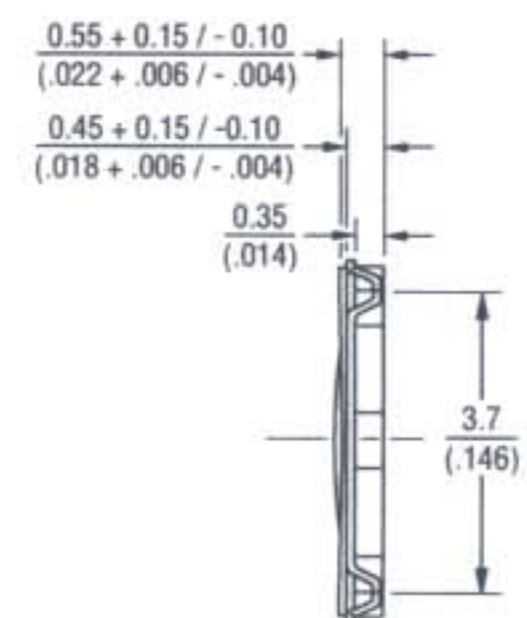
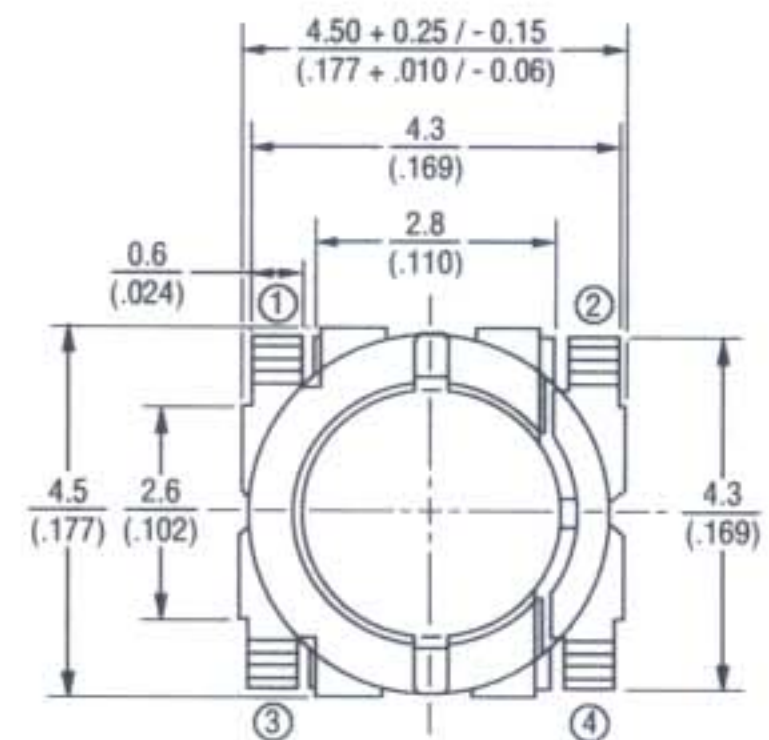


Reflow Soldering Profile

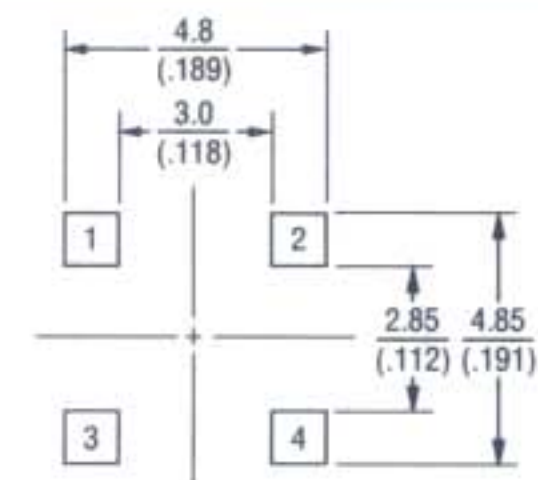


DIMENSIONS: $\frac{MM}{(IN)}$

Product Dimensions



Recommended PCB Layout



Circuit Diagram

