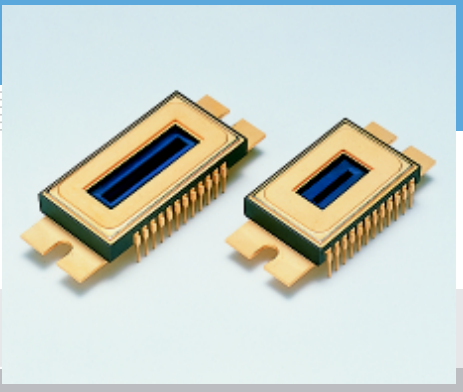


# CCD area image sensor S10140/S10141 series



Low readout noise, high resolution (pixel size: 12 μm)

S10140/S10141 series is a family of back-thinned FFT-CCD image sensors specifically designed for low-light-level detection in scientific applications. By using the binning operation, S10140/S10141 series can be used as a linear image sensor having a long aperture in the direction of the device length. This makes S10140/S10141 series ideally suited for use in spectrophotometry. The binning operation offers significant improvement in S/N and signal processing speed compared with conventional methods by which signals are digitally added by an external circuit. S10140/S10141 series also features low noise and low dark signal (MPP mode operation). This enables low-light-level detection and long integration time, thus achieving a wide dynamic range.

S10140/S10141 series has an effective pixel size of 12 × 12 μm and is available in image areas ranging from 12.288 (H) × 1.464 (V) mm<sup>2</sup> (1024 × 122 pixels) up to a large image area of 24.576 (H) × 6.072 (V) mm<sup>2</sup> (2048 × 506 pixels).

### Features

- Low readout noise: 4 e<sup>-</sup>rms Typ.
- High resolution: pixel size 12 × 12 μm
- Non-cooled type: S10140 series  
One-stage TE-cooled type: S10141 series
- Line, pixel binning, area scanning
- Greater than 90 % quantum efficiency at peak sensitivity wavelength
- Wide spectral response range
- Wide dynamic range
- MPP operation
- High UV sensitivity with good stability
- Same pin connections as S7030/S7031 series

### Applications

- Fluorescence spectrometer, ICP
- Industrial inspection requiring
- Semiconductor inspection
- DNA sequencer
- Low-light-level detection

### Selection guide

Type No.	Cooling	Number of total pixels	Number of active pixels	Active area [mm (H) × mm (V)]	Suitable multichannel detector head
S10140-1007	Non-cooled	1044 × 128	1024 × 122	12.288 × 1.464	C10150
S10140-1008		1044 × 256	1024 × 250	12.288 × 3.000	
S10140-1009		1044 × 512	1024 × 506	12.288 × 6.072	
S10140-1107		2068 × 128	2048 × 122	24.576 × 1.464	
S10140-1108		2068 × 256	2048 × 250	24.576 × 3.000	
S10140-1109		2068 × 512	2048 × 506	24.576 × 6.072	
S10141-1007S	One-stage TE-cooled	1044 × 128	1024 × 122	12.288 × 1.464	C10151
S10141-1008S		1044 × 256	1024 × 250	12.288 × 3.000	
S10141-1009S		1044 × 512	1024 × 506	12.288 × 6.072	
S10141-1107S		2068 × 128	2048 × 122	24.576 × 1.464	
S10141-1108S		2068 × 256	2048 × 250	24.576 × 3.000	
S10141-1109S		2068 × 512	2048 × 506	24.576 × 6.072	

### General ratings

Parameter	S10140 series	S10141 series
Pixel size	12 (H) × 12 (V) μm	
Vertical clock phase	2 phases	
Horizontal clock phase	2 phases	
Output circuit	One-stage MOSFET source follower	
Package	24 pin ceramic DIP (refer to dimensional outlines)	
Window *1	Quartz glass	AR-coated sapphire

\*1: Window-less is available upon request.

## CCD area image sensor S10140/S10141 series

### ■ Absolute maximum ratings (Ta=25 °C)

Parameter	Symbol	Min.	Typ.	Max.	Unit
Operating temperature	Topr	-50	-	+30	°C
Storage temperature	Tstg	-50	-	+70	°C
OD voltage	VOD	-0.5	-	+30	V
RD voltage	VRD	-0.5	-	+18	V
ISV voltage	VISV	-0.5	-	+18	V
ISH voltage	VISH	-0.5	-	+18	V
IGV voltage	VIG1V, VIG2V	-10	-	+15	V
IGH voltage	VIG1H, VIG2H	-10	-	+15	V
SG voltage	VSG	-10	-	+15	V
OG voltage	VOG	-10	-	+15	V
RG voltage	VRG	-10	-	+15	V
TG voltage	VTG	-10	-	+15	V
Vertical clock voltage	VP1V, VP2V	-10	-	+15	V
Horizontal clock voltage	VP1H, VP2H	-10	-	+15	V

### ■ Operating conditions (MPP mode, Ta=25 °C)

Parameter	Symbol	Min.	Typ.	Max.	Unit
Output transistor drain voltage	VOD	-	24	-	V
Reset drain voltage	VRD	-	12	-	V
Output gate voltage	VOG	-	3	-	V
Substrate voltage	VSS	-	0	-	V
Test point (vertical input source)	VISV	-	VRD	-	V
Test point (horizontal input source)	VISH	-	VRD	-	V
Test point (vertical input gate)	VIG1V, VIG2V	-9	-8	0	V
Test point (horizontal input gate)	VIG1H, VIG2H	-9	-8	0	V
Vertical shift register clock voltage	High	VP1VH, VP2VH	-	3	V
	Low	VP1VL, VP2VL	-	-8	
Horizontal shift register clock voltage	High	VP1HH, VP2HH	-	5	V
	Low	VP1HL, VP2HL	-	-8	
Summing gate voltage	High	VSGH	-	5	V
	Low	VSGL	-	-8	
Reset gate voltage	High	VRGH	-	5	V
	Low	VRGL	-	-8	
Transfer gate voltage	High	VTGH	-	3	V
	Low	VTGL	-	-8	

### ■ Electrical characteristics (Ta=25 °C)

Parameter	Symbol	Min.	Typ.	Max.	Unit
Signal output frequency	fc	-	250	500	kHz
Vertical shift register capacitance *2	CP1V, CP2V	-	3600	-	pF
Horizontal shift register capacitance *2	CP1H, CP2H	-	150	-	pF
Summing gate capacitance	Csg	-	30	-	pF
Reset gate capacitance	CRG	-	30	-	pF
Transfer gate capacitance	CTG	-	75	-	pF
Charge transfer efficiency *3	CTE	0.99995	0.99999	-	-
DC output level *4	Vout	12	17	18	V
Output impedance *4	Zo	-	8	-	kΩ
Power consumption *4 *5	P	-	4	-	mW

\*2: S10140-1108, S10141-1108S

\*3: Charge transfer efficiency per pixel, measured at half of the full well capacity.

\*4: The values depend on the load resistance. (Typical, VOD=24 V, Load resistance=100 kΩ)

\*5: Power consumption of the on-chip amplifier

# CCD area image sensor S10140/S10141 series

## ■ Electrical and optical characteristics (Ta=25 °C, unless otherwise noted)

Parameter		Symbol	Min.	Typ.	Max.	Unit
Saturation output voltage		Vsat	-	Fw × Sv	-	V
Full well capacity	Vertical	Fw	60	75	-	ke <sup>-</sup>
	Horizontal		120	150	-	
	Summing		150	200	-	
CCD node sensitivity		Sv	4	5	6	μV/e <sup>-</sup>
Dark current *6 MPP mode	25 °C	DS	-	100	1000	e <sup>-</sup> /pixel/ s
	0 °C		-	5	50	
Readout noise *7		Nr	-	4	18	e <sup>-</sup> rms
Dynamic range *8	Line binning	DR	30000	37500	-	-
	Area scanning		15000	18500	-	-
Photo response non-uniformity *9		PRNU	-	±3	±10	%
Spectral response range		λ	-	200 to 1100	-	nm
Blemish	Point defect *10	White spots	-	-	0	-
		Black spots	-	-	10	-
	Cluster defect *11	-	-	3	-	
	Column defect *12	-	-	0	-	

\*6: Dark current nearly doubles for every 5 to 7 °C increase in temperature.

\*7: -50 °C, Operating frequency is 20 kHz.

\*8: Dynamic range (DR) = Full well/Readout noise

\*9: Measured at the half of the full well capacity output.

$$\text{Photo response non-uniformity (PRNU) [\%]} = \frac{\text{Fixed pattern noise (peak to peak)}}{\text{Signal}} \times 100$$

\*10: White spots

Pixels whose dark current is higher than 1 ke<sup>-</sup> after one-second integration at 0 °C.

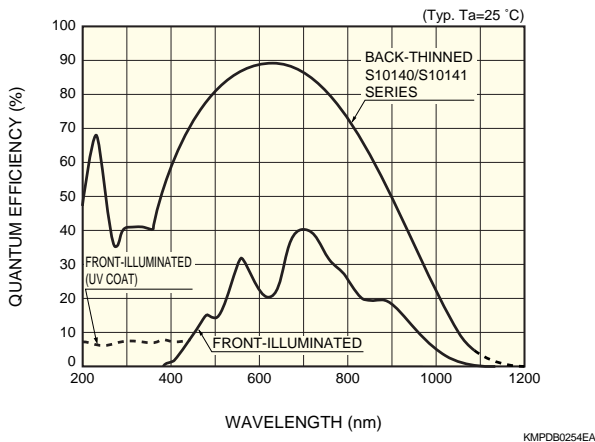
Black spots

Pixels whose sensitivity is lower than one-half of the average pixel output. (Measured with uniform light producing one-half of the saturation charge)

\*11: 2 to 9 contiguous defective pixels

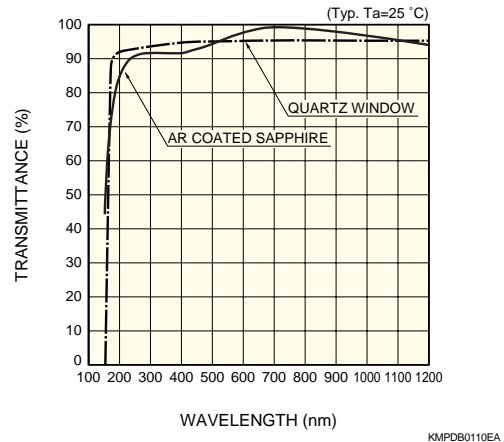
\*12: 10 or more contiguous defective pixels

## ■ Spectral response (without window) \*10



KMPDB0254EA

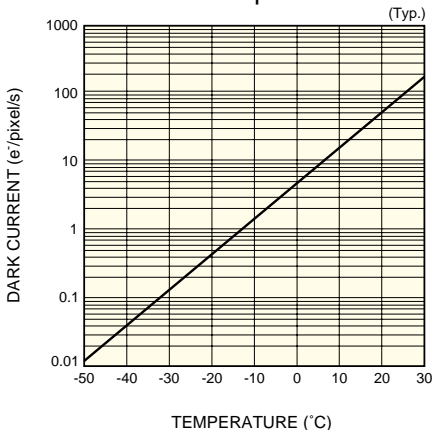
## ■ Spectral transmittance characteristics



KMPDB0110EA

\*10: Spectral response with quartz glass or AR-coated sapphire are decreased by the transmittance.

## ■ Dark current vs. temperature



KMPDB0255EA

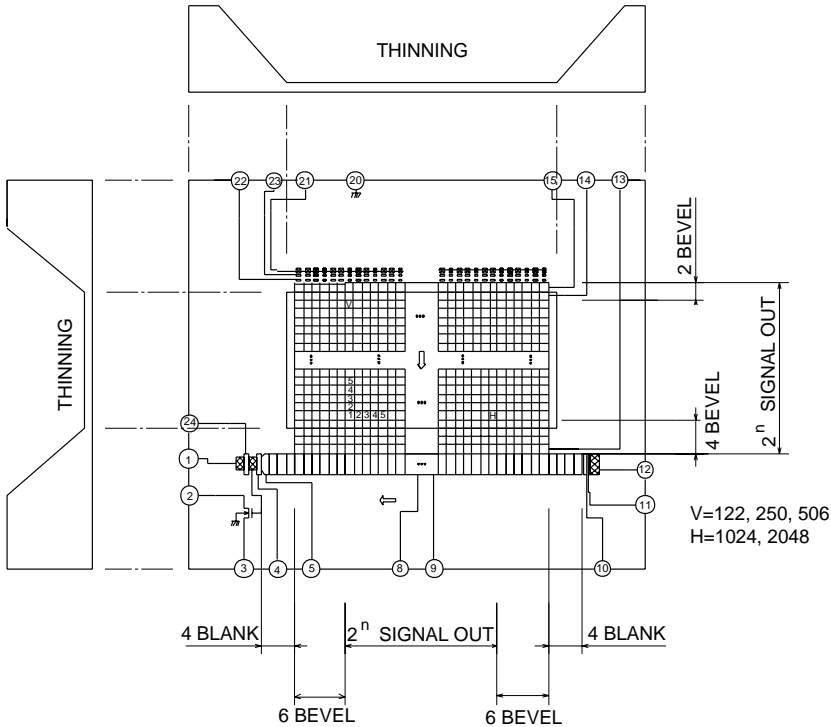
## ● Window material

Type No.	Window material
S10140 series	Quartz glass *11 (option: window-less)
S10141 series	AR-coated sapphire *12 (option: window-less)
S10142 series (two-stage TE-cooled types, made to order)	AR-coated sapphire *12 (option: window-less)

\*11: Resin sealing

\*12: Hermetic sealing

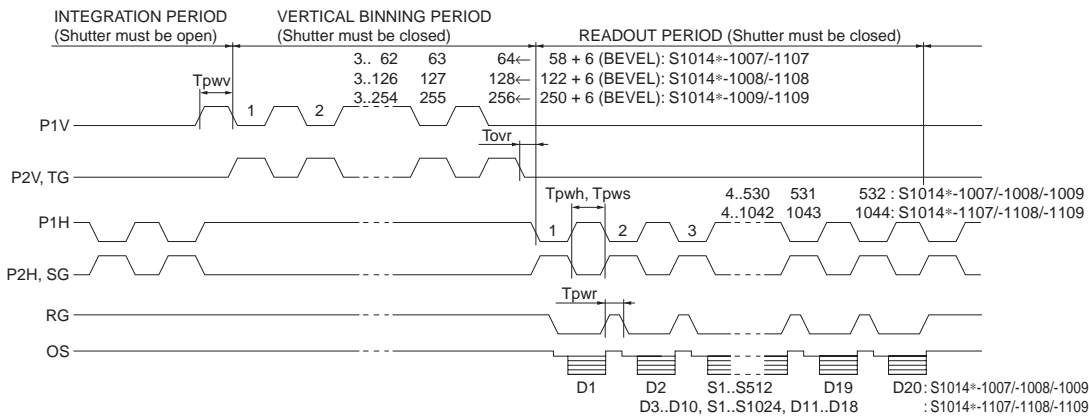
## ■ Device structure (Conceptual drawing of top view)



KMPDC0244EA

## ■ Timing chart

### Line binning



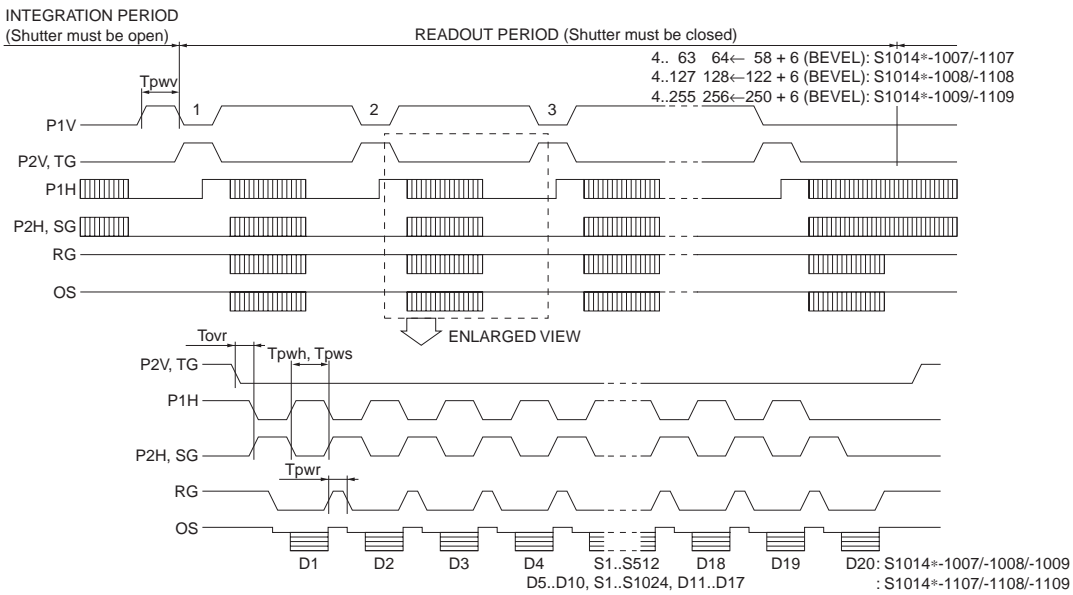
KMPDC0242EA

Parameter		Symbol	Remark	Min.	Typ.	Max.	Unit
P1V, P2V, TG	Pulse width	Tpww	*13	6	8	-	μs
	Rise and fall time	Tprv, Tpvf		20	-	-	ns
P1H, P2H	Pulse width	Tpwh	*13	1000	2000	-	ns
	Rise and fall time	Tprh, Tprf		10	-	-	ns
	Duty ratio	-		40	50	60	%
SG	Pulse width	Tpws	-	1000	2000	-	ns
	Rise and fall time	Tprs, Tprf		10	-	-	ns
	Duty ratio	-		40	50	60	%
RG	Pulse width	Tpwr	-	100	1000	-	ns
	Rise and fall time	Tpr, Tprf		5	-	-	ns
TG - P1H	Overlap time	Tovr	-	1	2	-	μs

\*13: The clock pulses should be overlapped at 50 % of clock pulse amplitude.

# CCD area image sensor S10140/S10141 series

## Area scanning



KMPDC0243EA

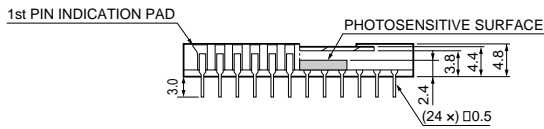
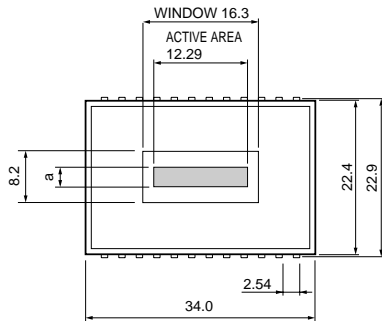
Parameter		Symbol	Remark	Min.	Typ.	Max.	Unit
P1V, P2V, TG	Pulse width	$T_{pwv}$	*14	6	8	-	$\mu s$
	Rise and fall time	$T_{prv}, T_{pfv}$		20	-	-	ns
P1H, P2H	Pulse width	$T_{pwh}$	*14	1000	2000	-	ns
	Rise and fall time	$T_{prh}, T_{pfh}$		10	-	-	ns
	Duty ratio	-		40	50	60	%
SG	Pulse width	$T_{pws}$	-	1000	2000	-	ns
	Rise and fall time	$T_{prs}, T_{pfs}$		10	-	-	ns
	Duty ratio	-		40	50	60	%
RG	Pulse width	$T_{pwr}$	-	100	1000	-	ns
	Rise and fall time	$T_{prr}, T_{pfr}$		5	-	-	ns
TG - P1H	Overlap time	$T_{ovr}$	-	1	2	-	$\mu s$

\*14: The clock pulses should be overlapped at 50 % of clock pulse amplitude.

# CCD area image sensor S10140/S10141 series

## Dimensional outlines (unit: mm)

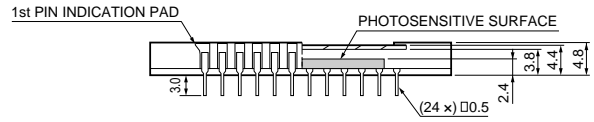
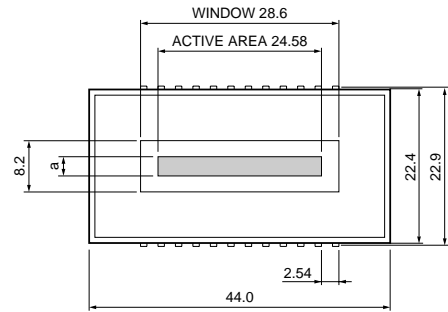
### S10140-1007/-1008/-1009



S10140-1007: a=1.464  
 S10140-1008: a=3.000  
 S10140-1009: a=6.072

KMPDA0207EA

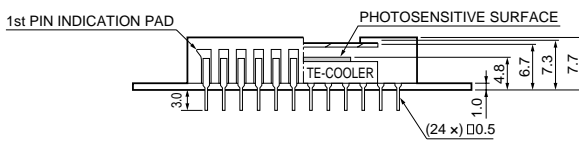
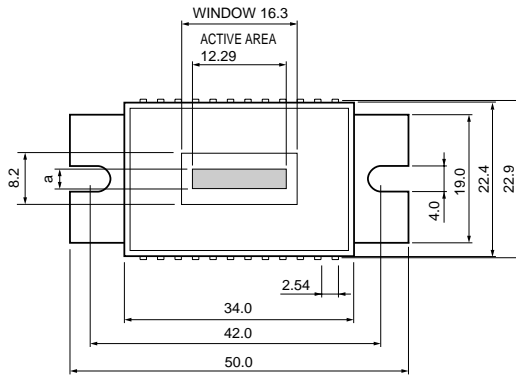
### S10140-1107/-1108/-1109



S10140-1107: a=1.464  
 S10140-1108: a=3.000  
 S10140-1109: a=6.072

KMPDA0208EA

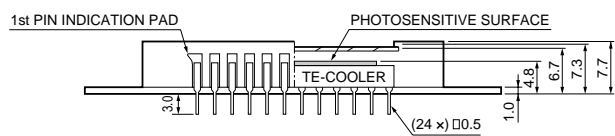
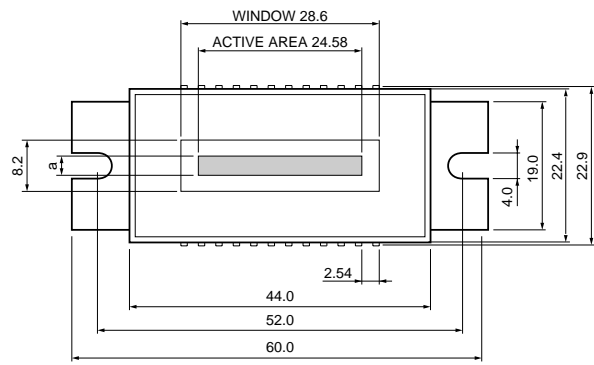
### S10141-1007S/-1008S/-1009S



S10141-1007S: a=1.464  
 S10141-1008S: a=3.000  
 S10141-1009S: a=6.072

KMPDA0209EB

### S10141-1107S/-1108S/-1109S



S10141-1107S: a=1.464  
 S10141-1108S: a=3.000  
 S10141-1109S: a=6.072

KMPDA0210EB

# CCD area image sensor S10140/S10141 series

## ■ Pin connections

Pin No.	S10140 series		S10141 series		Remark (standard operation)
	Symbol	Function	Symbol	Function	
1	RD	Reset drain	RD	Reset drain	+12 V
2	OS	Output transistor source	OS	Output transistor source	$R_L=100\text{ k}\Omega$
3	OD	Output transistor drain	OD	Output transistor drain	+24 V
4	OG	Output gate	OG	Output gate	+3 V
5	SG	Summing gate	SG	Summing gate	Same pulse as P2H
6	-		-		
7	-		-		
8	P2H	CCD horizontal register clock-2	P2H	CCD horizontal register clock-2	
9	P1H	CCD horizontal register clock-1	P1H	CCD horizontal register clock-1	
10	IG2H	Test point (horizontal input gate-2)	IG2H	Test point (horizontal input gate-2)	
11	IG1H	Test point (horizontal input gate-1)	IG1H	Test point (horizontal input gate-1)	
12	ISH	Test point (horizontal input source)	ISH	Test point (horizontal input source)	Connect to RD
13	TG *15	Transfer gate	TG *15	Transfer gate	Same pulse as P2V
14	P2V	CCD vertical register clock-2	P2V	CCD vertical register clock-2	
15	P1V	CCD vertical register clock-1	P1V	CCD vertical register clock-1	
16	-		Th1	Thermistor	
17	-		Th2	Thermistor	
18	-		P-	TE-cooler-	
19	-		P+	TE-cooler+	
20	SS	Substrate (GND)	SS	Substrate (GND)	GND
21	ISV	Test point (vertical input source)	ISV	Test point (vertical input source)	Connect to RD
22	IG2V	Test point (vertical input gate-2)	IG2V	Test point (vertical input gate-2)	
23	IG1V	Test point (vertical input gate-1)	IG1V	Test point (vertical input gate-1)	
24	RG	Reset gate	RG	Reset gate	

\*15: Isolation gate between vertical register and horizontal register. In standard operation, TG should be applied the same pulse as P2V.

## ■ Specifications of built-in TE-cooler (Typ.)

Parameter	Symbol	Condition	S10141-1007S/-1008S/-1009S	S10141-1107S/-1108S/-1109S	Unit
Internal resistance	$R_{int}$	$T_a=25\text{ }^\circ\text{C}$	2.5	1.2	$\Omega$
Maximum current *16	$I_{max}$	$T_c^{*17}=T_h^{*18}=25\text{ }^\circ\text{C}$	1.5	3.0	A
Maximum voltage	$V_{max}$	$T_c^{*17}=T_h^{*18}=25\text{ }^\circ\text{C}$	3.8	3.6	V
Maximum heat absorption *19	$Q_{max}$		3.4	5.1	W
Maximum temperature of heat radiating side	-		70	70	$^\circ\text{C}$

\*16: Maximum current  $I_{max}$ :

If the current greater than this value flows into the thermoelectric cooler, the heat absorption begins to decrease due to the Joule heat. It should be noted that this value is not the damage threshold value. To protect the thermoelectric cooler and maintain stable operation, the supply current should be less than 60 % of this maximum current.

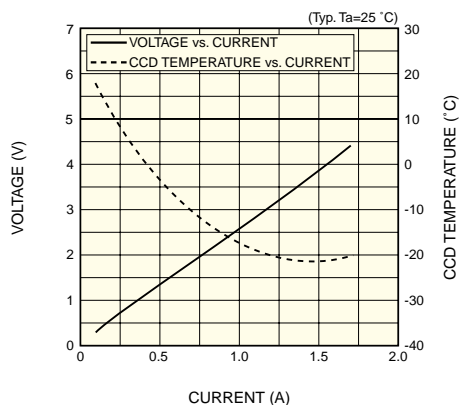
\*17: Temperature of the cooling side of thermoelectric cooler.

\*18: Temperature of the heat radiating side of thermoelectric cooler.

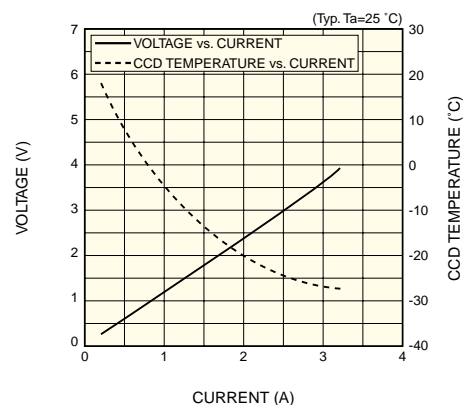
\*19: Maximum heat absorption  $Q_{max}$ .

This is a theoretical heat absorption level that offsets the temperature difference in the thermoelectric cooler when the maximum current is supplied to the unit.

S10141-1007S/-1008S/-1009S



S10141-1107S/-1108S/-1109S



■ Specifications of built-in temperature sensor

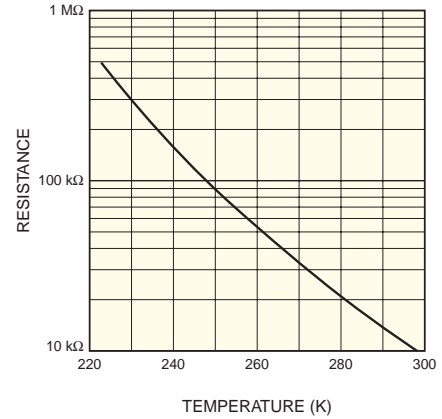
A chip thermistor is built in the same package with a CCD chip, and the CCD chip temperature can be monitored with it. A relation between the thermistor resistance and absolute temperature is expressed by the following equation.

$$R_1 = R_2 \times \exp B (1 / T_1 - 1 / T_2)$$

where R1 is the resistance at absolute temperature T1 (K)  
 R2 is the resistance at absolute temperature T2 (K)  
 B is so-called the B constant (K)

The characteristics of the thermistor used are as follows.

- R (298K) = 10 kΩ
- B (298K / 323K) = 3450 K



KMPDB0111EB

■ Precaution for use (Electrostatic countermeasures)

- Handle these sensors with bare hands or wearing cotton gloves. In addition, wear anti-static clothing or use a wrist band with an earth ring, in order to prevent electrostatic damage due to electrical charges from friction.
- Avoid directly placing these sensors on a work-desk or work-bench that may carry an electrostatic charge.
- Provide ground lines or ground connection with the work-floor, work-desk and work-bench to allow static electricity to discharge.
- Ground the tools used to handle these sensors, such as tweezers and soldering irons.

It is not always necessary to provide all the electrostatic measures stated above. Implement these measures according to the amount of damage that occurs.

■ Element cooling/heating temperature incline rate

When cooling the CCD by an externally attached cooler, set the cooler operation so that the temperature gradient (rate of temperature change) for cooling or allowing the CCD to warm back is less than 5 K/minute.