



SERIES TL 2243 SWITCHES

TACT SWITCHES - Dual

TACT SWITCHES

NAVIGATION SWITCHES

PUSHBUTTON SWITCHES

TOGGLE SWITCHES

ROCKER SWITCHES

SLIDE SWITCHES

SNAP-ACTION SWITCHES

DIP SWITCHES

KEYLOCK SWITCHES

ROTARY SWITCHES

DETECTOR SWITCHES

CAP OPTIONS



SPECIFICATIONS

Contact Rating:	50mA @ 12 VDC
Life Expectancy:	30,000 cycles
Contact Resistance:	100mΩ max.
Insulation Resistance:	100MΩ min. @ 100VDC
Dielectric Strength:	250VAC
Actuation Force:	180 ±50 gf
Operating Temperature:	-20°C to 70°C
Travel:	0.25 +0.2mm / -0.1mm

FEATURES & BENEFITS

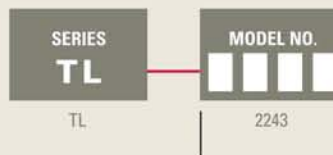
- ▶ Low profile
- ▶ Tactile feel
- ▶ Saves space on the PC Board

APPLICATIONS/MARKETS

- ▶ Telecommunications
- ▶ Consumer Electronics
- ▶ Audio/visual
- ▶ Medical
- ▶ Testing/instrumentation
- ▶ Computer/servers/peripherals



HOW TO ORDER

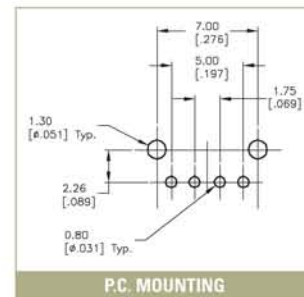
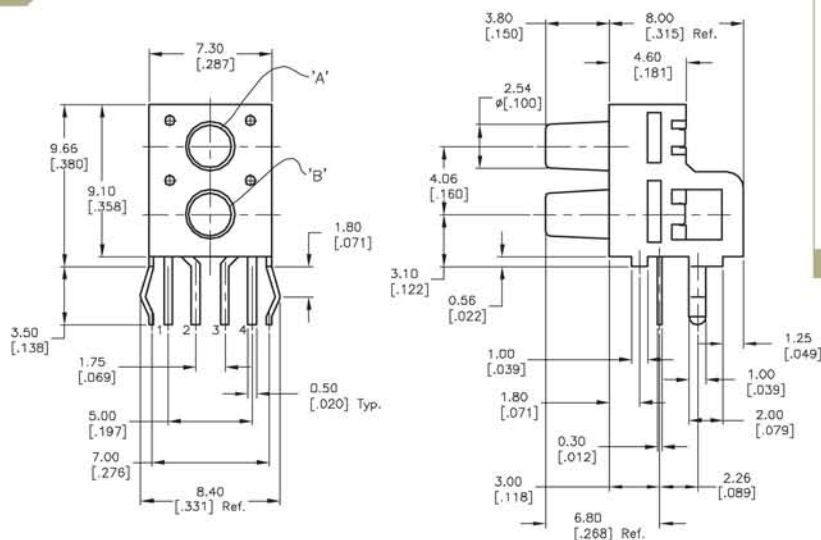


Example Ordering Number

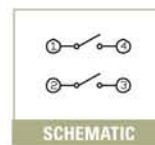
TL-2243

Specifications subject to change without notice.

TL 2243



P.C. MOUNTING



SCHEMATIC