

1000pF, 2KV

NOTES

1.0 DI
AGAIN
INTR
ESD

2.0 PINS
CONNEC

3.0 ALL
TOLERA

ELECTRICAL SPECIFICATIONS:

- 1.0 TURNS RATIO: $\{P4-P5-P6\} : \{J3-J6\} : 1CT : 1CT \pm 3\%$
 $\{P3-P2-P1\} : \{J1-J2\} : 1CT : 1CT \pm 3\%$
- 2.0 INDUCTANCE: $\{P4-P6\} : 350\mu H \text{ MIN. @ } 0.1V, 100KHz, 8mA \text{ DC Bias}$
 $\{P3-P1\} : 350\mu H \text{ MIN. @ } 0.1V, 100KHz, 8mA \text{ DC Bias}$
- 3.0 DC RESISTANCE: $\{J6-J3\} = \{J2-J1\} : 2.0 \text{ ohms Max.}$

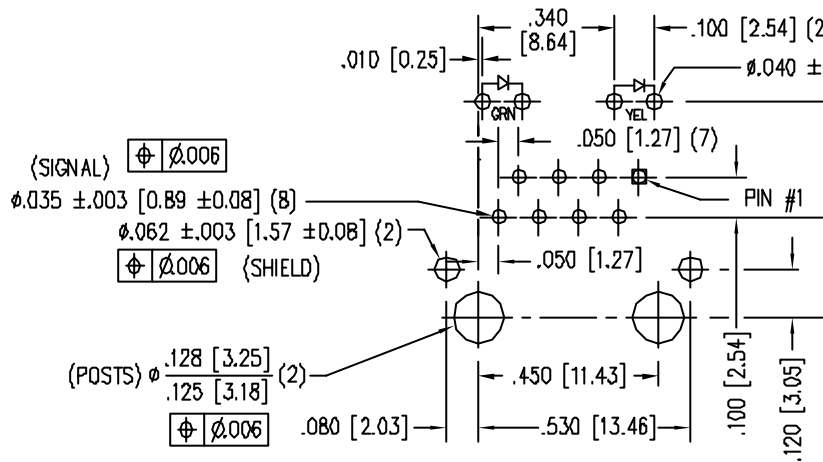
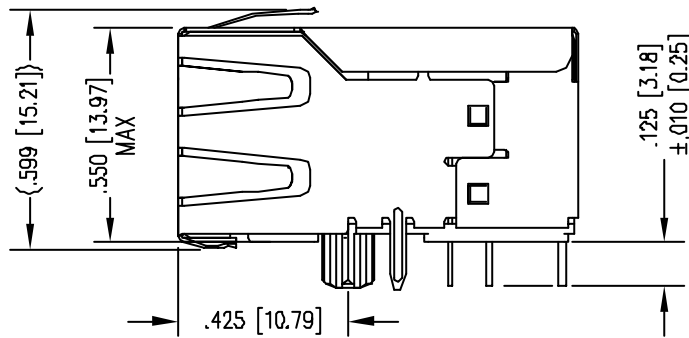
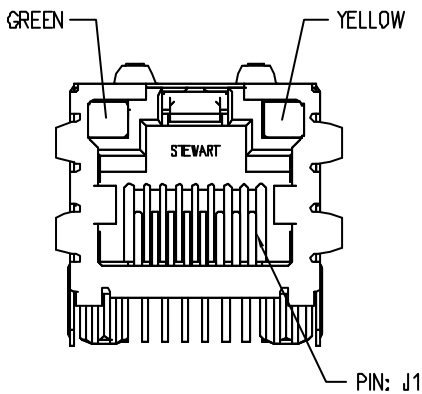
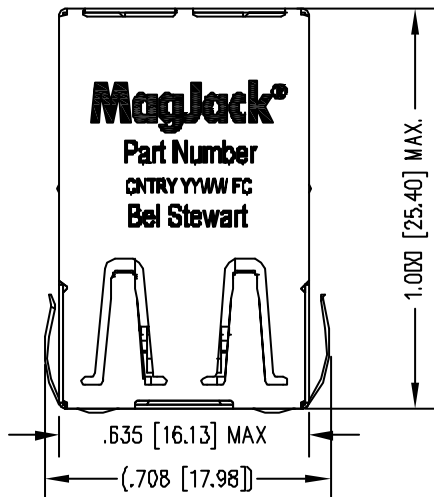
Bel Stewart Co
11118 Susquehanna T
Glen Rock, Pa 17327
717.234.7512

THIS DRAWING AND THE SUBJECT MATTER SHOWN THEREON ARE CONFIDENTIAL AND PROPERTY OF BEL STEWART CONNECTOR AND SHALL NOT BE REPRODUCED, COPIED, OR USED IN ANY MANNER WITHOUT PRIOR WRITTEN CONTENT OF BEL STEWART CONNECTOR. THE SUBJECT MATTER MAY BE PATENTED OR A PATENT MAY BE PENDING.

RECEIV

4.0 RETURN LOSS: APPLY 100 OHMS LOAD EACH TO (P4-P6) AND (P1-P3)	
1MHz TO 30MHz	: 18dB
31MHz TO 80MHz	: 12dB
NOTE: SOURCE APPLIED TO (J2-J1) OR (J3-J6).	
5.0 INSERTION LOSS: RSource=RLoad=100 OHMS	
100KHz TO 100MHz	: 1.1 dB
6.0 CROSS TALK: 1-100 MHz	: 30 dB
7.0 COMMON TO COMMON MODE ATTENUATION: 1MHz TO 100MHz	: 35dB
8.0 RISE TIME: RS=100 OHMS AND RL = 100 OHMS	
OUTPUT VOLTAGE = 1 V peak	: 3.0 nS
PULSE WIDTH= 112nS	: 3.0 nS
9.0 DIELECTRIC WITHSTAND: (J1, J2) TO (P1, P3)	: 1500
(J3, J6) TO (P4,P6)	: 1500

Bel Stewart Co
11118 Susquehanna T
Glen Rock, Pa 17327
717.234.7512



P.C.B. RECOMMENDED HOLE LAYOUT
SEEN FROM COMPONENT SIDE

ALL CENTERLINE DIMENSIONS ARE BASIC.

NOTES:

1. CONNECTOR MOUNTING HOUSING: THE CONTACT/SHEATH SHIELD PLATING CONTACT PLATING
2. PIN NOT ELECTRICALLY CONNECTED SEE ELECTRICAL SPECIFICATIONS
3. TOLERANCES UNLESS OTHERWISE SPECIFIED
4. THE SUGGESTED DIMENSIONS ARE FOR REFERENCE ONLY. USER THE ABILITY TO OBTAIN CLEARANCES, YIELDING
5. WAVE SOLDER

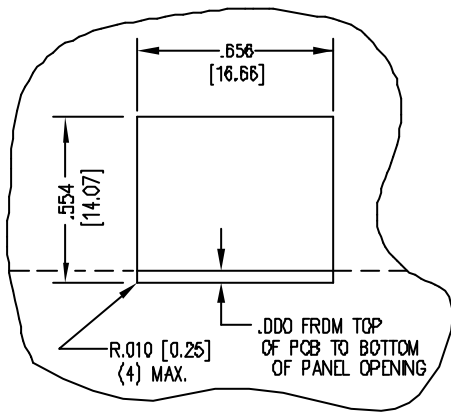
LED SPECIFICATION			
STANDARD LED	WAVELENGTH	* Forward V (MAX)	(TYP)
GREEN	565 nm	2.5 V	2.1 V
YELLOW	590 nm	2.5 V	2.1 V

*WITH A FORWARD CURRENT OF 20 mA

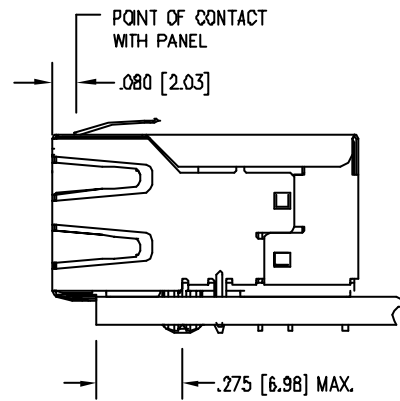
THIS DRAWING AND THE SUBJECT MATTER SHOWN THEREON ARE CONFIDENTIAL AND PROPERTY OF BEL STEWART CONNECTOR AND SHALL NOT BE REPRODUCED, COPIED, OR USED IN ANY MANNER WITHOUT PRIOR WRITTEN CONTENT OF BEL STEWART CONNECTOR. THE SUBJECT MATTER MAY BE PATENTED OR A PATENT MAY BE PENDING.

Bel Stewart Co
11118 Susquehanna T
Glen Rock, Pa 17327
717.234.7512

SHEET
3 OF 4



SUGGESTED PANEL OPENING



Bel Stewart C
 11118 Susquehanna T
 Glen Rock, Pa 17327
 717.234.7512

THIS DRAWING AND THE SUBJECT MATTER SHOWN THEREON ARE CONFIDENTIAL AND PROPERTY OF BEL STEWART CONNECTOR AND SHALL NOT BE REPRODUCED, COPIED, OR USED IN ANY MANNER WITHOUT PRIOR WRITTEN CONTENT OF BEL STEWART CONNECTOR. THE SUBJECT MATTER MAY BE PATENTED OR A PATENT MAY BE PENDING.