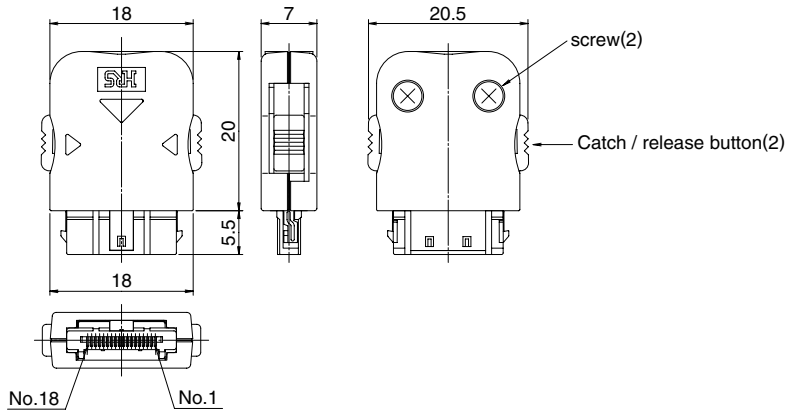


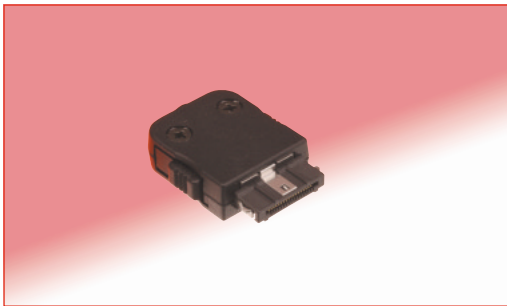
● 18 pos. (Shielded type, for 4mm max. cable diameter)



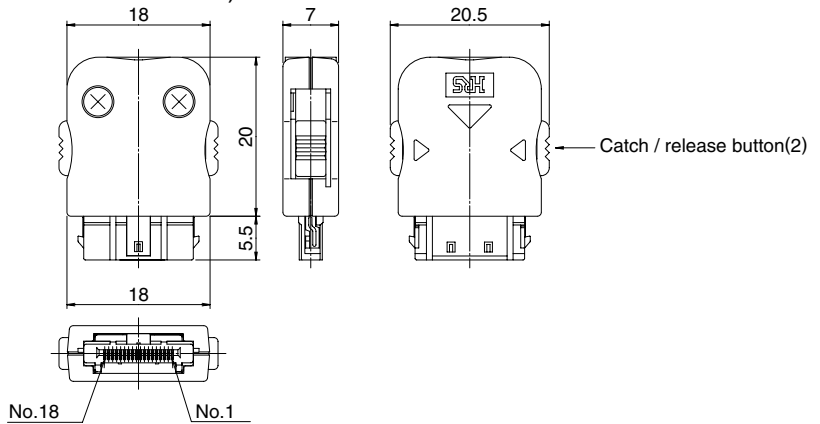
Part Number	CL No.
ST40X-18S-CV	CL241-0012-1



● 18 pos. (Reverse, shielded type, for 4mm max. cable diameter)



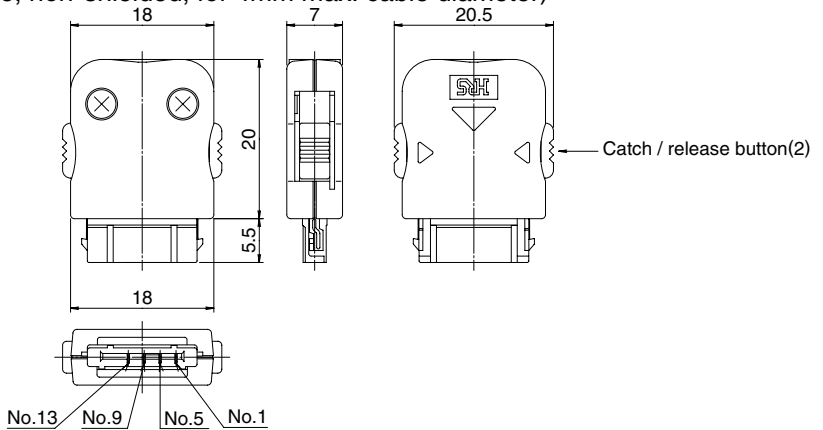
Part Number	CL No.
ST40X-18S-CVR	CL241-0016-2



● 4 pos. (For opening size as 18 pos., reverse, non-shielded, for 4mm max. cable diameter)



Part Number	CL No.
ST40-18(4)S-CVR	CL241-0032-9



● 24 pos. (Shielded type, for 4mm max. cable diameter)



Part Number	CL No.
ST40X-24S-CV	CL241-0004-3

