

PDC8UV6484-103T-S

64MByte (8M x 64) CMOS, PC/100

Synchronous DRAM Module

General Description

The PDC8UV6484-103T-S is a high performance, 64-megabyte synchronous, dynamic RAM module organized as 8M words by 64 bits, in a 168-pin, dual-in-line memory module (DIMM) package.

The module utilizes eight Fujitsu MB81F64842B-103FN CMOS 8Mx8 synchronous dynamic RAMs in surface mount package (TSOP) on an epoxy laminated substrate. Each device is accompanied by a decoupling capacitor for improved noise immunity.

A 256 Byte Serial EEPROM contains the module configuration information.

Features

- High Density 64MByte
- Cycle Time: 10ns (100MHz)
- Low Power: Active 6.3W (100MHz)
- LVTTTL-compatible inputs and outputs
- Separate power and ground planes to improve noise immunity
- Single power supply of 3.3V±0.3V
- Height: 1.375 inch

ABSOLUTE MAXIMUM RATINGS

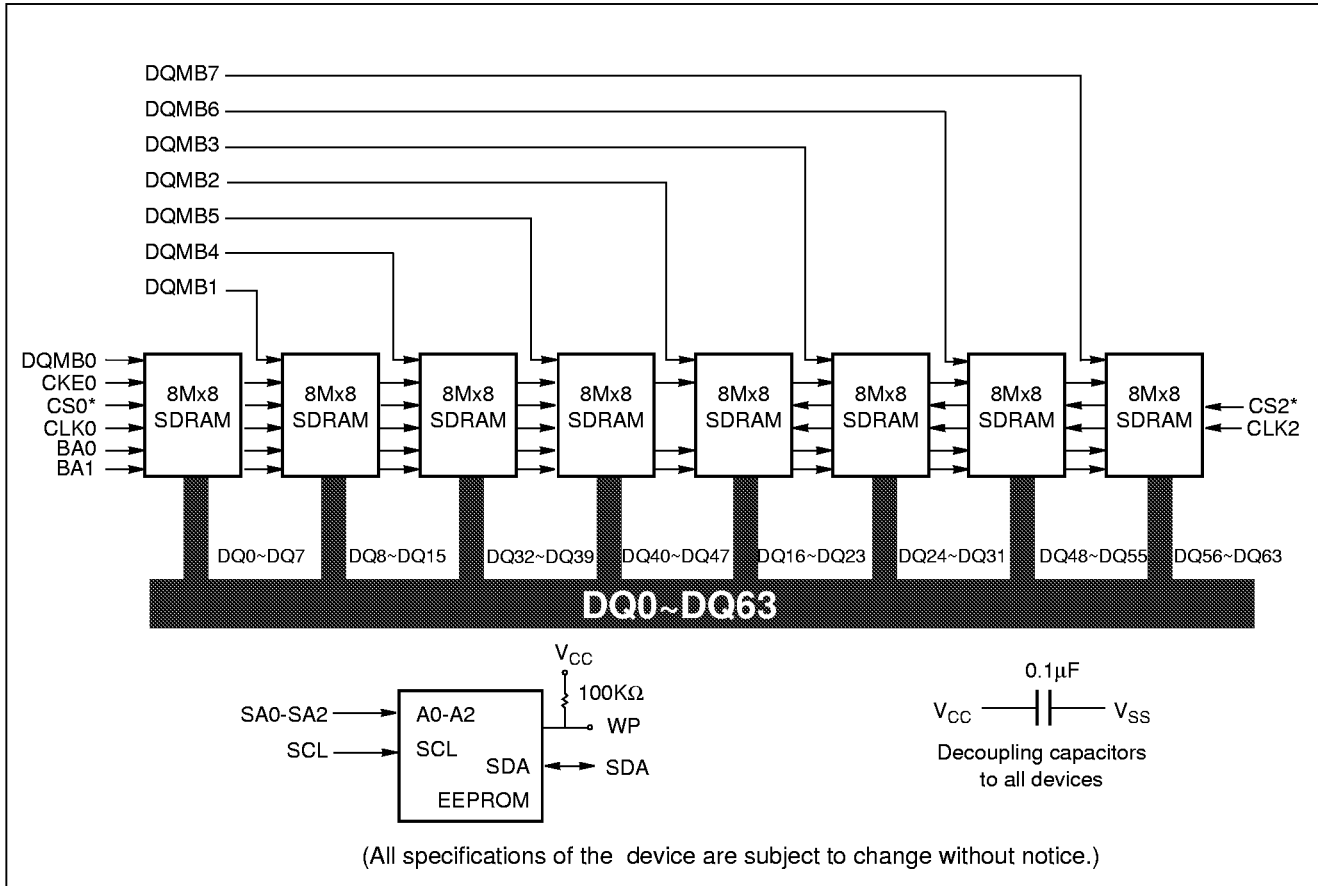
Item	Symbol	Ratings	Unit
Voltage on any pin relative to V _{SS}	V _T	-0.5 to +4.6	V
Power Dissipation	P _T	8.0	W
Operating Temperature	T _{opr}	0 to +70	°C
Storage Temperature	T _{stg}	-55 to +125	°C
Short Circuit Output Current	I _{OS}	±50	mA

RECOMMENDED DC OPERATING CONDITIONS

(T_A = 0 to +70 °C)

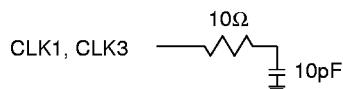
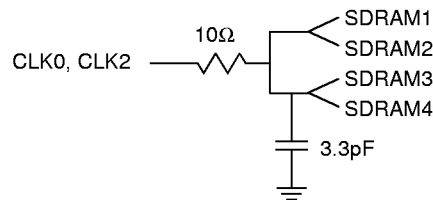
Symbol	Parameter	Min	Typ	Max	Unit
V _{CC}	Supply Voltage	3.0	3.3	3.6	V
V _{SS}	Ground	0	0	0	V
V _{IH}	Input High voltage	2.0	-	V _{CC} +0.5	V
V _{IL}	Input Low voltage	-0.5	-	0.8	V

Functional Diagram



- Notes:
1. A0~A11 to all devices
 2. WE*, RAS*, CAS* to all devices.
 3. Data and CLKs are terminated using 10 ohm series resistors.
 4. DQMs vs. Data I/Os

DQMB0 controls	DQ0~DQ7
DQMB1 controls	DQ8~DQ15
DQMB2 controls	DQ16~DQ23
DQMB3 controls	DQ24~DQ31
DQMB4 controls	DQ32~DQ39
DQMB5 controls	DQ40~DQ47
DQMB6 controls	DQ48~DQ55
DQMB7 controls	DQ56~DQ63
 5. Clock Wiring



PDC8UV6484-103T-S

Pin Name

A0~A11	Addresses	CS0*, CS2*	Chip Select
BA0, BA1	Bank Select Address	WE*	Write Enable
DQ0~DQ63	Data Inputs/Outputs	SA0~SA2	Decode Input
CLK0~CLK3	Clock Inputs	SCL	Serial Clock
RAS*	Row Address Strokes	SDA	Serial Data Input/Output
CAS*	Column Address Strokes	WP	Write Protect
CKE0	Clock Enables	V _{CC}	Power Supply
DQMB0-DQMB7	DQ Mask Enables	V _{SS}	Ground
		NC	No Connection

Pin No.	Pin Designation	Pin No.	Pin Designation	Pin No.	Pin Designation	Pin No.	Pin Designation
1	V _{SS}	43	V _{SS}	85	V _{SS}	127	V _{SS}
2	DQ0	44	NC	86	DQ32	128	CKE0
3	DQ1	45	CS2*	87	DQ33	129	NC
4	DQ2	46	DQMB2	88	DQ34	130	DQMB6
5	DQ3	47	DQMB3	89	DQ35	131	DQMB7
6	V _{CC}	48	NC	90	V _{CC}	132	NC
7	DQ4	49	V _{CC}	91	DQ36	133	V _{CC}
8	DQ5	50	NC	92	DQ37	134	NC
9	DQ6	51	NC	93	DQ38	135	NC
10	DQ7	52	NC	94	DQ39	136	NC
11	DQ8	53	NC	95	DQ40	137	NC
12	V _{SS}	54	V _{SS}	96	V _{SS}	138	V _{SS}
13	DQ9	55	DQ16	97	DQ41	139	DQ48
14	DQ10	56	DQ17	98	DQ42	140	DQ49
15	DQ11	57	DQ18	99	DQ43	141	DQ50
16	DQ12	58	DQ19	100	DQ44	142	DQ51
17	DQ13	59	V _{CC}	101	DQ45	143	V _{CC}
18	V _{CC}	60	DQ20	102	V _{CC}	144	DQ52
19	DQ14	61	NC	103	DQ46	145	NC
20	DQ15	62	NC	104	DQ47	146	NC
21	NC	63	NC	105	NC	147	NC
22	NC	64	V _{SS}	106	NC	148	V _{SS}
23	V _{SS}	65	DQ21	107	V _{SS}	149	DQ53
24	NC	66	DQ22	108	NC	150	DQ54
25	NC	67	DQ23	109	NC	151	DQ55
26	V _{CC}	68	V _{SS}	110	V _{CC}	152	V _{SS}
27	WE*	69	DQ24	111	CAS*	153	DQ56
28	DQMB0	70	DQ25	112	DQMB4	154	DQ57
29	DQMB1	71	DQ26	113	DQMB5	155	DQ58
30	CS0*	72	DQ27	114	NC	156	DQ59
31	NC	73	V _{CC}	115	RAS*	157	V _{CC}
32	V _{SS}	74	DQ28	116	V _{SS}	158	DQ60
33	A0	75	DQ29	117	A1	159	DQ61
34	A2	76	DQ30	118	A3	160	DQ62
35	A4	77	DQ31	119	A5	161	DQ63
36	A6	78	V _{SS}	120	A7	162	V _{SS}
37	A8	79	CLK2	121	A9	163	CLK3
38	A10 / AP (Note)	80	NC	122	BA0 (Note)	164	NC
39	BA1 (Note)	81	WP	123	A11	165	SA0
40	V _{CC}	82	SDA	124	V _{CC}	166	SA1
41	V _{CC}	83	SCL	125	CLK1	167	SA2
42	CLK0	84	V _{CC}	126	NC	168	V _{CC}

Note : 1. Address A10 / AP : Initiates Auto Precharge
2. Address BA0,BA1 : Bank select within the SDRAM devices

SERIAL PD INFORMATION

Byte#	Function Described	Function Supported	
		100 Mhz	Hex Value
0	# Bytes Written into serial memory at module mfr	128 bytes	80h
1	Total # bytes of SPD memory device	256 bytes	08h
2	Fundamental memory type	SDRAM	04h
3	# Row Address on this assembly	12	0Ch
4	# Column Addresses on this assembly	9	09h
5	# Module Banks on this assembly	1	01h
6	Data Width of this assembly	64 bits	40h
7	Data Width of this assembly (continued)		00h
8	Voltage interface standard of this assembly	LVTTL	01h
9	SDRAM cycle time at CL=3 (tCLK)	10ns	A0h
10	SDRAM Access from Clock at CL=3 (tAC)	6ns	60h
11	DIMM configuration type	Non-Parity	00h
12	Refresh Rate/Type	S/R, Normal 15.6 ms	80h
13	SDRAM Width Primary DRAM	x8	08h
14	ECC SDRAM Data Width	N/A	00h
15	Min. clock delay, Back to Back Random Column Addresses (ICCD)	1CLK	01h
16	Burst Length Supported	1, 2, 4, 8 & Full	8Fh
17	# Banks on each SDRAM device	4	04h
18	CAS# Latency	2, 3	06h
19	CS# Latency	0	01h
20	Write Latency	0	01h
21	SDRAM Module Attribute	Non-Buffered/Registered	00h
22	SDRAM Device Attribute	Vcc, B/R, S/W, P/A, A/P	0Eh
23	Min Clock cycle Time at CL=2 (tCLK)	15ns	F0h
24	Max. Data Access Time from clock at CL=2 (tAC)	8.0ns	80h
25	Min Clock cycle Time at CL=1 (tCLK)	N/A	FFh
26	Max. Data Access Time from clock at CL=1 (tAC)	N/A	FFh
27	Min. Row Precharge Time (tRP)	20ns	14h
28	Min. Row Active Delay (tRRD)	20ns	14h
29	Min. RAS to CAS Delay (tRCD)	20ns	14h
30	Min. RAS Pulse Width (tRAS)	50ns	32h
31	Module Bank Density	64MB	10h
32	Add. & CMD Input Setup Time (tSI)	2ns	20h
33	Add. & CMD Input Hold Time (tHI)	1ns	10h
34	Data Input Setup Time (tSI)	2ns	20h
35	Data Input Hold Time (tHI)	1ns	10h
36-61	Superset Information		FFh
62	SPD Revision	Rev. 2	02h
63	Checksum for bytes 0-62	JEDEC Calculation	JEDEC Calculation

PDC8UV6484-103T-S

SERIAL PD INFORMATION (CONTINUED)

		Function Supported	Hex Value
Byte#	Function Described	100 Mhz	100 Mhz
64	Manufacturers JEDEC ID code per JEP-106E	Continuation code	7Fh
65	Manufacturers JEDEC ID code per JEP-106E	SMART's ID	94h
66-71	Manufacturers JEDEC ID code per JEP-106E	None	FFh
72	Manufacturing location	Mfr Specific Data	
73	Manufacturer's Part Number	P	50h
74	Manufacturer's Part Number	D	44h
75	Manufacturer's Part Number	C	43h
76	Manufacturer's Part Number	8	38h
77	Manufacturer's Part Number	U	55h
78	Manufacturer's Part Number	V	56h
79	Manufacturer's Part Number	6	36h
80	Manufacturer's Part Number	4	34h
81	Manufacturer's Part Number	8	38h
82	Manufacturer's Part Number	4	34h
83	Manufacturer's Part Number	1	31h
84	Manufacturer's Part Number	0	30h
85	Manufacturer's Part Number	3	33h
86	Manufacturer's Part Number	T	54h
87	Manufacturer's Part Number	S	53h
88	Manufacturer's Part Number	None	FFh
89	Manufacturer's Part Number	None	FFh
90	Manufacturer's Part Number	None	FFh
91	Revision Code	Mfr Specific Data	Mfr Specific Data
92	Revision Code	None	FFh
93	Manufacturing Date	DATE	DATE
94	Manufacturing Date	DATE	DATE
95-98	Assembly Serial Number	Serial Number	S.No.
99	Manufacturer Specific Data	S	53h
100	Manufacturer Specific Data	M	4Dh
101	Manufacturer Specific Data	A	41h
102	Manufacturer Specific Data	R	52h
103	Manufacturer Specific Data	T	54h
104	Manufacturer Specific Data	M	4Dh
105	Manufacturer Specific Data	o	6Fh
106	Manufacturer Specific Data	d	64h
107	Manufacturer Specific Data	u	75h
108	Manufacturer Specific Data	l	6Ch
109	Manufacturer Specific Data	a	61h
110	Manufacturer Specific Data	r	72h
111	Manufacturer Specific Data	T	54h
112	Manufacturer Specific Data	e	65h
113	Manufacturer Specific Data	c	63h
114	Manufacturer Specific Data	h	68h
115	Manufacturer Specific Data	n	6Eh
116	Manufacturer Specific Data	o	6Fh
117	Manufacturer Specific Data	l	6Ch
118	Manufacturer Specific Data	o	6Fh
119	Manufacturer Specific Data	g	67h
120	Manufacturer Specific Data	i	69h
121	Manufacturer Specific Data	e	65h
122	Manufacturer Specific Data	s	73h
123	Manufacturer Specific Data	None	FFh
124	Manufacturer Specific Data	None	FFh
125	Manufacturer Specific Data	None	FFh
126	Manufacturer Specific Data	None	FFh
127	Manufacturer Specific Data	None	FFh
128-255	Open for CPQ Use for Read & Write	None	FFh

DC CHARACTERISTICS

(At recommended operating conditions unless otherwise noted) Notes 1,2

Parameter	Symbol	Conditions	Value		Unit
			Min.	Max.	
Output High Voltage	$V_{OH(DC)}$	$I_{OH} = -2\text{mA}$	2.4	-	V
Output Low Voltage	$V_{OL(DC)}$	$I_{OL} = 2\text{mA}$	-	0.4	V
Input Leakage Current (Any Input)	I_{LI}	$0V \leq V_{IN} \leq V_{CC}$; All other pins not under test = 0V	-40	40	μA
Output Leakage Current	I_{LO}	$0V \leq V_{IN} \leq V_{CC}$ $D_{out} = \text{Disable}$	-5	5	μA
Operating Current (Average Power Supply Current)	I_{CC1S}	Burst: Length=4, $t_{RC} = \text{min}$ for BL=4, $t_{CK} = \text{min}$. One bank- active, Outputs open, Addresses changed up to 3-times during t_{RC} (min), $0V \leq V_{in} \leq V_{CC}$	-	960	mA
	I_{CC1D}	Burst: Length=4 (each bank), $t_{RC} = \text{min}$ for BL=4 (each bank), $t_{CK} = \text{min}$. 2 banks active, Output open, Addresses changed up to 3-times during t_{RC} (min), $0V \leq V_{in} \leq V_{CC}$	-	1760	mA
Precharge Standby Current (Power Supply Current)	I_{CC2P}	$CKE = V_{IL}$, All banks idle, $t_{CK} = \text{min}$, Power down mode, $0V \leq V_{in} \leq V_{CC}$	-	24	mA
	I_{CC2PS}	$CKE = V_{IL}$, All banks idle, CLK=H or L, Power down mode, $0V \leq V_{in} \leq V_{CC}$	-	16	
Precharge Standby Current (Power Supply Current)	I_{CC2N}	$CKE = V_{IH}$, All banks idle, $t_{CK} = \text{min}$, NOP commands only, Input signals (except to CMD) are changed one time during 3 clock cycles, $0V \leq V_{in} \leq V_{CC}$	-	160	mA
Precharge Standby Current (Power Supply Current)	I_{CC2NS}	$CKE = V_{IH}$, All banks idle, CLK=H or L, Input signals are stable, $0V \leq V_{in} \leq V_{CC}$	-	40	

PDC8UV6484-103T-S

(Continued)

Parameter	Symbol	Test Condition	Value		Unit
			Min.	Max.	
Active Standby Current (Power Supply Current)	I_{CC3P}	CKE= V_{IL} , Any bank active, $t_{CK}=\text{min}$, $0V \leq V_{in} \leq V_{CC}$	-	40	mA
	I_{CC3PS}	CKE= V_{IL} , Any bank active, CLK = H or L, $0V \leq V_{in} \leq V_{CC}$	-	24	mA
Active Standby Current (Power Supply Current)	I_{CC3N}	CKE= V_{IH} , Any bank active, $t_{CK}=\text{min}$, NOP commands only, Input signals (except to CMD) are changed one time during 3 clock cycles, $0V \leq V_{in} \leq V_{CC}$	-	240	mA
Active Standby Current (Power Supply Current)	I_{CC3NS}	CKE= V_{IH} , Any bank active, CLK = H or L, $0V \leq V_{in} \leq V_{CC}$	-	80	mA
Burst mode Current (Average Power supply current)	I_{CC4}	$t_{CK}=\text{min}$, Burst length=4, Outputs open, Multiple-banks active, Gapless data, $0V \leq V_{in} \leq V_{CC}$	-	1120	mA
Refresh Current #1 (Average Power Supply Current)	I_{CC5}	Auto-refresh; $t_{CK}=\text{min}$, $t_{RC}=\text{min}$, $0V \leq V_{in} \leq V_{CC}$	-	1600	mA
Refresh Current #2 (Average Power Supply Current)	I_{CC6}	Self-refresh; $t_{CK}=\text{min}$, CKE $\leq 0.2V$, $0V \leq V_{in} \leq V_{CC}$	-	16	mA

†CL = CAS* Latency

- Notes:
- I_{CC} depends on the output termination or load conditions, clock cycle rate, and signal clocking rate;
The specified values are obtained with the output open and no termination register.
 - An initial pause (DESL or NOP) of 200 μs is required after power-up followed by a minimum of eight Auto-refresh cycles.

CAPACITANCE

(TA = +25°C, VCC = 3.3V±0.3V)

Parameter	Symbol	Max.	Unit	Note
Input Capacitance (Address, WE*, CE, RAS*, CAS*)	C _{I1}	45	pF	1
Input Capacitance (DQMBs)	C _{I2}	10	pF	1
Input Capacitance (CS0*, CS2*)	C _{I3}	25	pF	1
Input Capacitance (CLK0, CLK2)	C _{I4}	25	pF	1
Input Capacitance (CLK1, CLK3)	C _{I5}	15	pF	1
Input/Output Capacitance (DQ0~DQ63)	C _{I/O}	12	pF	1, 2

- Notes: 1. Capacitance is measured with Boonton Meter or effective capacitance method.
 2. CAS* - V_{IH} to disable D_{out}.

AC CHARACTERISTICS: MB81F64842B-103

(At recommended operating conditions unless otherwise noted) Notes 2,3,4

Parameter	Symbol	Unit	-103		Notes	
			Min.	Max.		
Clock Period	CAS Latency=2	t _{CK2}	ns	15	-	
	CAS Latency=3	t _{CK3}		10	-	
Clock High Time	t _{CH}	ns	3	-		
Clock Low Time	t _{CL}	ns	3	-		
Input Setup Time	t _{SI}	ns	2	-		
Input Hold Time	t _{HI}	ns	1	-		
Access time from Clock (t _{CK} =min)	CAS Latency=2	t _{AC2}	ns	-	8	5,6
	CAS Latency=3	t _{AC3}		-	6	
Output In Low-Z	t _{LZ}	ns	0	-		
Output in High-Z	CAS Latency=2	t _{HZ2}	ns	3	8	7
	CAS Latency=3	t _{HZ3}		3	6	
Output Hold Time	CAS Latency=2	t _{OH}	ns	3	-	
	CAS Latency=3			3	-	
Time between Auto-Refresh command Interval	t _{REFI}	μs	-	15.6		
Transition Time	t _T	ns	0.5	2		
CKE Set Up time for Power Down Exit	t _{CKSP}	ns	3	-		

PDC8UV6484-103T-S

BASE VALUES FOR CLOCK COUNT/LATENCY: MB81F64842B-103

Parameter	Symbol	Unit	-103		Notes
			Min.	Max.	
$\overline{\text{RAS}}$ Cycle Time	t_{RC}	ns	70	-	8
$\overline{\text{RAS}}$ Precharge Time	t_{RP}	ns	20	-	
$\overline{\text{RAS}}$ Active Time	t_{RAS}	ns	50	100000	
$\overline{\text{RAS}}$ to $\overline{\text{CAS}}$ Delay Time	t_{RCD}	ns	20	-	9
Write Recovery Time	t_{WR}	ns	10	-	
Data-in to Precharge Lead Time	t_{DPL}	ns	10	-	
Data-in to Active/Refresh command period	CAS Latency=2 t_{DAL2}	ns	$1\text{cyc}+t_{\text{RP}}$	-	
	CAS Latency=3 t_{DAL3}		$2\text{cyc}+t_{\text{RP}}$	-	
Mode Register set cycle Time	t_{RSC}	ns	20	-	
$\overline{\text{RAS}}$ to $\overline{\text{RAS}}$ Bank Active Delay Time	t_{RRD}	ns	20	-	

CLOCK COUNT FORMULA

(Note 10)

$$\text{Clock} \geq \frac{\text{Base Value}}{\text{Clock Period}} \quad (\text{Round off a whole number})$$

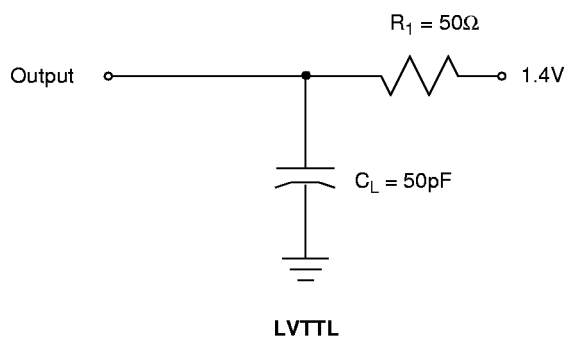
LATENCY-FIXED VALUES: MB81F64842B-103

(The latency values on these parameters are fixed regardless of clock period)

Parameter	Symbol	Unit	-103	Notes
CKE to Clock Disable	l_{CKE}	cycle	1	
DQM to Output in High-Z	l_{DQZ}	cycle	2	
DQM to Input Data Delay	l_{DQD}	cycle	0	
Last Output to Write Command Delay	l_{OWD}	cycle	2	
Write Command to Input Data Delay	l_{DWD}	cycle	0	
Precharge to Output in High-Z Delay	CL = 2 l_{ROH2}	cycle	2	
	CL = 3 l_{ROH3}		3	
Burst Stop Command to Output in High-Z Delay	CL = 2 l_{BSH2}	cycle	2	
	CL = 3 l_{BSH3}		3	
$\overline{\text{CAS}}$ to $\overline{\text{CAS}}$ Delay (min)	l_{CCD}	cycle	1	
$\overline{\text{CAS}}$ Bank Delay (min)	l_{CBD}	cycle	1	

- Notes:
- l_{CC} depends on the output termination or load conditions, clock cycle rate, and signal clocking rate; The specified values are obtained with the output open and no termination register.
 - An initial pause (DESL or NOP) of 200 μs is required after power-up followed by a minimum of eight Auto-refresh cycles.
 - AC characteristics assume $t_{\text{T}} = 1 \text{ ns}$ and 50 pF of capacitive load.
 - 1.4 V is the reference level for measuring timing of input signals. Transition times are measured between V_{IH} (min) and V_{IL} (max).
 - Assumes t_{RCD} is satisfied.
 - t_{AC} also specifies the access time at burst mode.
 - Specified where output buffer is no longer driven.
 - Actual clock count of t_{RC} (l_{RC}) will be sum of clock count of t_{RAS} (l_{RAS}) and t_{RP} (l_{RP}).
 - Operation within the (t_{RCD}) (min) ensures that access time is determined by (t_{RCD}) (min) + (t_{AC}) (max); If t_{RCD} is greater than the specified t_{RCD} (min), access time is determined by t_{AC} .
 - All base values are measured from the clock edge at the command input to the clock edge for the next command input. All clock counts are calculated by a simple formula: clock count equals base value divided by clock period (round off a whole number).

Fig. 4 - EXAMPLE OF AC TEST LOAD CIRCUIT

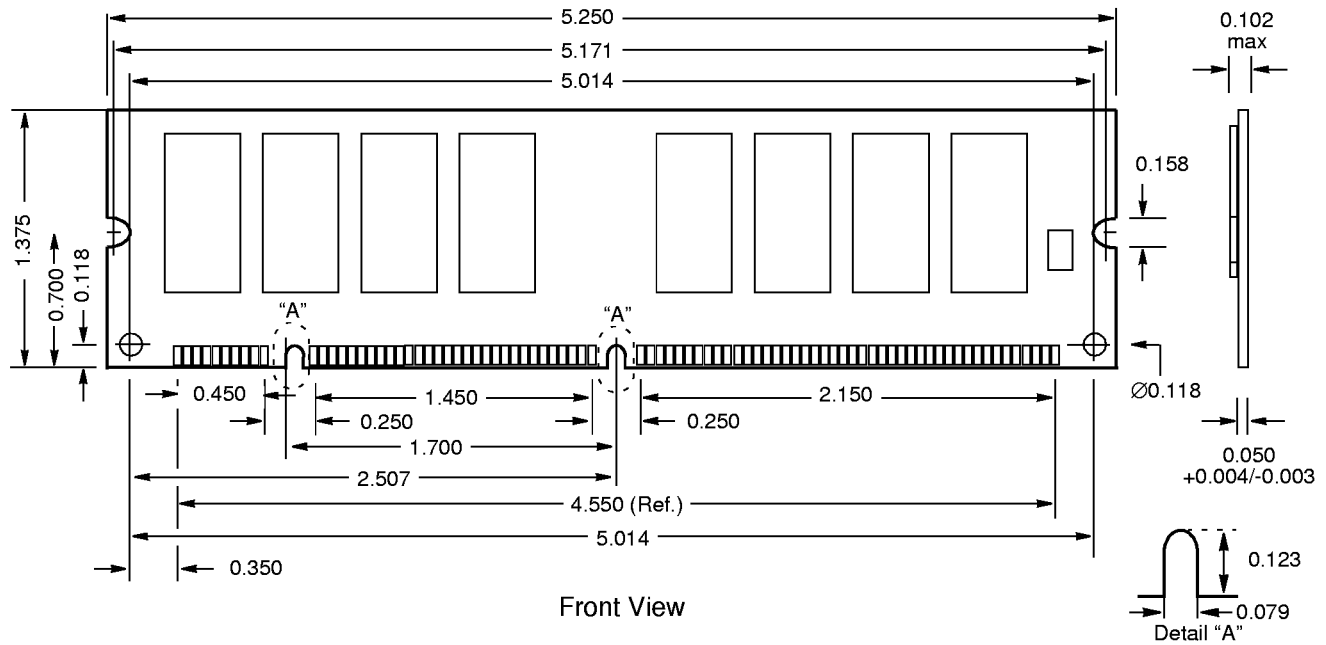


Note: AC characteristics are measured in this condition. This load circuits are not applicable for V_{OH} and V_{OL} .

PDC8UV6484-103T-S

Physical Dimensions - TBD

168-pin (84x2) DIMM



- Notes:
1. All dimensions are in inches.
 2. Pin 85 is behind pin 1 on the back side.

Ordering Information

P D C 8 U V 64 8 4 _ - 103 T - S
 (1) (2) (3) (4) (5) (6) (7) (8) (9) (10) (11) (12) (13)

- | | |
|--|---|
| <p>(1) Memory Type
 S : SDRAM (PC/66)
 G : SGRAM
 P : SDRAM-Fast (PC/100)</p> <p>(2) Module Shape
 S : SIMM
 D : DIMM
 O : Small Outline DIMM</p> <p>(3) Module Pin Count
 A : 72-pin
 B : 144-pin
 C : 168-pin
 D : 200-pin</p> <p>(4) Word Depth
 1 : 1M
 2 : 2M
 4 : 4M
 8 : 8M
 16 : 16M
 256 : 256K
 512 : 512K</p> <p>(5) Buffer Type
 B : Buffered
 U : Unbuffered
 R : Registered</p> <p>(6) Operating Voltage & Power Consumption
 V : 3.3V & LVTTTL & Standard Power
 L : 3.3V & LVTTTL & Low Power
 S : 3.3V & SSTL & Standard Power</p> <p>(7) Data Width
 (ex. 64=x64, 72=x72 etc.)</p> <p>(8) Device Configuration
 4 : x4
 8 : x8
 1 : x16
 3 : x32</p> <p>(9) Refresh
 2 : 2krf
 4 : 4krf
 8 : 8krf</p> | <p>(10) Module Revision / Applied "Standard" *1
 Blank : Rev. 0
 A : Rev. 1
 B : Rev. 2 (etc.)</p> <p>*1 When DRAM device or PCB is revised, the revision is changed</p> <p>(11) Clock Frequency
 SDRAM
 100 : 100Mhz

 SDRAM-Fast (100Mhz, PC/100)
 102 : CL=2; t_{RCD}=2; t_{RP}=2
 103 : CL=3; t_{RCD}=2; t_{RP}=2
 10 : CL=3; t_{RCD}=3; t_{RP}=3</p> <p>(12) Package of Component
 T : TSOP</p> <p>(13) Assembly & Test Site
 S : Smart Modular Technologies</p> |
|--|---|