

# MITSUBISHI LS1s

## M5M5408FP, TP, RT-55L, -70L, -10L, -55LL, -70LL, -10LL

4194304-BIT (524288-WORD BY 8-BIT) CMOS STATIC RAM

### DESCRIPTION

The M5M5408 is 4194304-bit CMOS static RAM organized as 524288-words by 8-bit, fabricated using high-performance quadruple-polysilicon and double metal CMOS technology. The use of thin film transistor (TFT) load cells and CMOS periphery results in a high density and low power static RAM. The M5M5408 is designed for memory applications where the high performance, high reliability, large storage, simple interfacing and battery back-up are important design objectives.

The M5M5408 is offered in 32-pin plastic small outline package (SOP) and 32-pin thin small outline package (TSOP), providing high board level packing densities. Two types of TSOP packages are available, M5M5408TP (normal lead bend type package) and M5M5408RT (reverse lead bend type package). Using both two types makes it easy to design a printed circuit board.

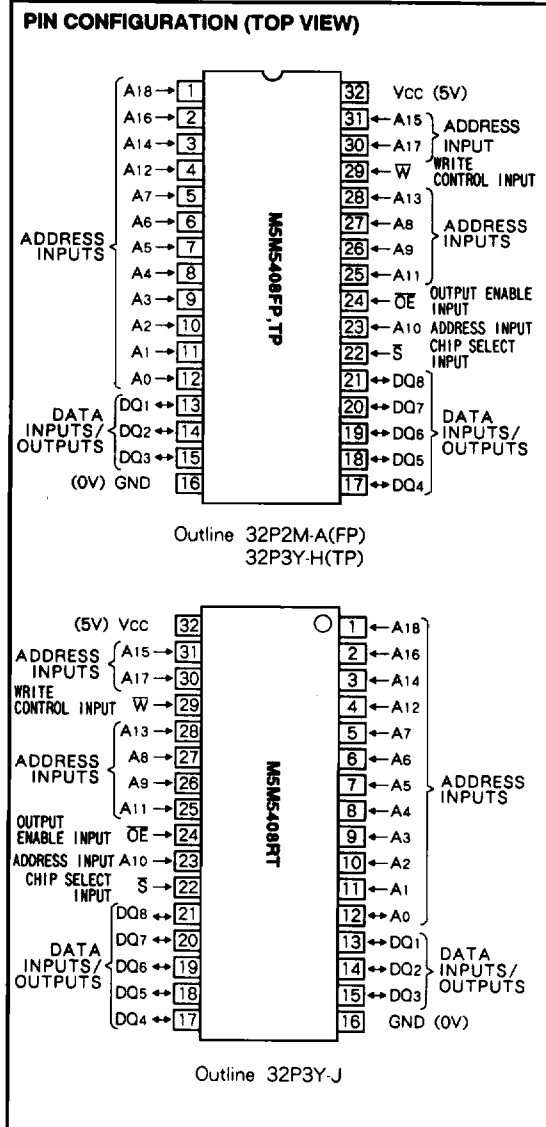
### FEATURES

Type name	Access time (max)	Power supply current	
		Active (max)	Stand-by (max)
M5M5408FP, TP, RT-55L M5M5408FP, TP, RT-70L M5M5408FP, TP, RT-10L	55ns 70ns 100ns	30mA (1MHz)	100 $\mu$ A (V <sub>cc</sub> = 5.5V)
M5M5408FP, TP, RT-55LL M5M5408FP, TP, RT-70LL M5M5408FP, TP, RT-10LL	55ns 70ns 100ns		20 $\mu$ A (V <sub>cc</sub> = 5.5V) 0.4 $\mu$ A (V <sub>cc</sub> = 3V, typ)

- Single +5V power supply
- No clocks, no refresh
- All inputs and outputs are TTL compatible
- Easy memory expansion and power down by  $\bar{S}$
- Data retention supply voltage = 2.0V to 5.5V
- Three-state outputs: OR-tie capability
- $\bar{OE}$  prevents data contention in the I/O bus
- Common data I/O
- Small stand-by current .....0.4  $\mu$  A (typ)
- Battery back-up capability
- Package
  - M5M5408FP: 32-pin 525mil SOP
  - M5M5408TP: 32-pin 400mil TSOP (II)
  - M5M5408RT: 32-pin 400mil TSOP (II)

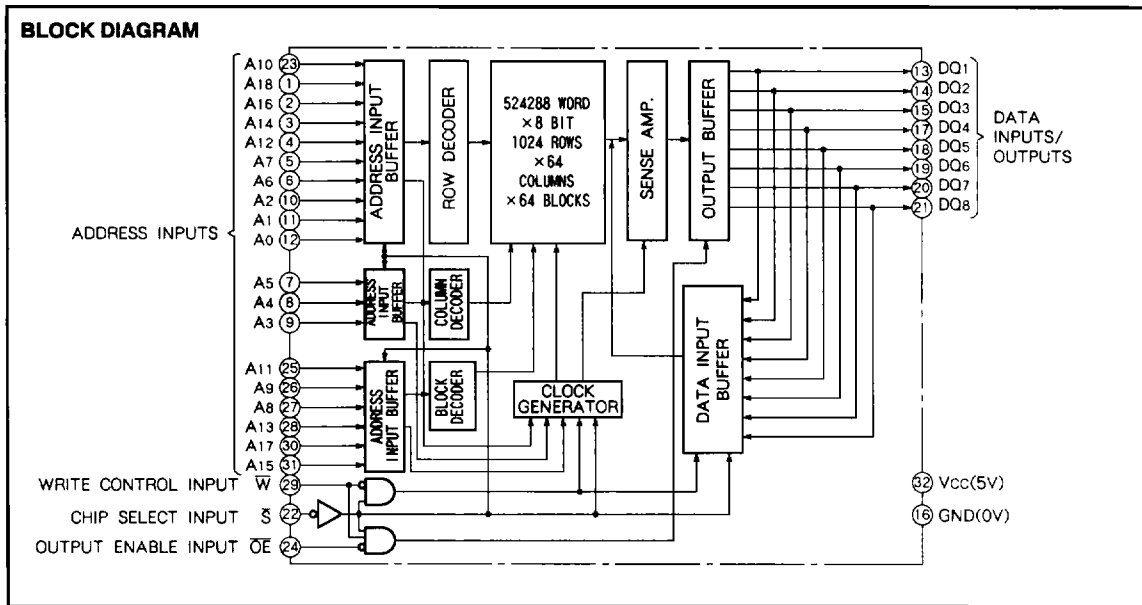
### APPLICATION

Small capacity memory units, IC card, battery operating system



**M5M5408FP,TP,RT-55L,-70L,-10L,  
-55LL,-70LL,-10LL**

4194304-BIT (542488-WORD BY 8-BIT) CMOS STATIC RAM



**FUNCTION**

The operation mode of the M5M5408 is determined by a combination of the device control inputs  $\bar{S}$ ,  $\bar{W}$  and  $\bar{OE}$ . Each mode is summarized in the function table.

A write cycle is executed whenever the low level  $\bar{W}$  overlaps with the low level  $\bar{S}$ . The address must be set up before the write cycle and must be stable during the entire cycle. The data is latched into a cell on the trailing edge of  $\bar{W}$ , or  $\bar{S}$  whichever occurs first, requiring the set-up and hold time relative to these edge to be maintained. The output enable input  $\bar{OE}$  directly controls the output state. Setting the  $\bar{OE}$  at a high level, the output state is in a high impedance state, and the data bus contention problem in the write cycle is eliminated.

A read cycle is executed by setting  $\bar{W}$  at a high level and  $\bar{OE}$  at a low level while  $\bar{S}$  is in an active state ( $\bar{S} = L$ ).

When setting  $\bar{S}$  at a high level, the chips are in a non-

selectable mode in which both reading and writing are disabled. In this mode, the output state is in a high-impedance state, allowing OR-tie with other chips and memory expansion by  $\bar{S}$ . The power supply current is reduced as low as the stand-by current which is specified as  $I_{cc3}$  or  $I_{cc4}$ , and the memory data can be held at +2V power supply, enabling battery back-up operation during power failure or power-down operation in the non-selected mode.

**FUNCTION TABLE**

$\bar{S}$	$\bar{W}$	$\bar{OE}$	Mode	DQ	$I_{cc}$
H	X	X	Non selection	High-impedance	Stand-by
L	L	X	Write	Din	Active
L	H	L	Read	Dout	Active
L	H	H		High-impedance	Active

**M5M5408FP,TP,RT-55L,-70L,-10L,  
-55LL,-70LL,-10LL**

**4194304-BIT (542488-WORD BY 8-BIT) CMOS STATIC RAM**

**ABSOLUTE MAXIMUM RATINGS**

Symbol	Parameter	Conditions	Ratings	Unit
V <sub>CC</sub>	Supply voltage	With respect to GND	- 0.3~7	V
V <sub>I</sub>	Input voltage		- 0.3 * ~V <sub>CC</sub> + 0.3	V
V <sub>O</sub>	Output voltage		0~V <sub>CC</sub>	V
P <sub>d</sub>	Power dissipation	T <sub>a</sub> = 25°C	700	mW
T <sub>opr</sub>	Operating temperature		0~70	°C
T <sub>stg</sub>	Storage temperature		- 65~150	°C

\* - 3.0V in case of AC (Pulse width ≤ 50ns)

**DC ELECTRICAL CHARACTERISTICS (T<sub>a</sub> = 0~70°C, V<sub>CC</sub> = 5V ± 10%, unless otherwise noted)**

Symbol	Parameter	Test conditions	Limits			Unit
			Min	Typ	Max	
V <sub>IH</sub>	High-level input voltage		2.2		V <sub>CC</sub> +0.3	V
V <sub>IL</sub>	Low-level input voltage		- 0.3 *		0.8	V
V <sub>OH</sub>	High-level output voltage	I <sub>OH</sub> = - 1mA	2.4			V
		I <sub>OH</sub> = - 0.1mA	V <sub>CC</sub> -0.5			
V <sub>OL</sub>	Low-level output voltage	I <sub>OL</sub> = 2.1mA			0.4	V
I <sub>I</sub>	Input leakage current	V <sub>I</sub> = 0~V <sub>CC</sub>			± 1	μA
I <sub>O</sub>	Output leakage current	$\bar{S} = V_{IH}$ OE = V <sub>IH</sub> , V <sub>I/O</sub> = 0~V <sub>CC</sub>			± 1	μA
I <sub>CC1</sub>	Active supply current (AC, MOS level)	$\bar{S} \leq 0.2$ other inputs ≤ 0.2V or ≥ V <sub>CC</sub> -0.2V Output-open (duty 100%)	minimum cycle	50	80	mA
			1MHz	25	30	
I <sub>CC2</sub>	Active supply current (AC, TTL level)	$\bar{S} = V_{IL}$ other inputs = V <sub>IH</sub> or V <sub>IL</sub> Output-open (duty 100%)	minimum cycle	60	90	mA
			1MHz	30	40	
I <sub>CC3</sub>	Stand by current	$\bar{S} \geq V_{CC} - 0.2V$ , other inputs = 0~V <sub>CC</sub>	FP,TP, RT-L		100	μA
			FP,TP, RT-LL	1.0	20	
I <sub>CC4</sub>	Stand by current	$\bar{S} = V_{IH}$ , other inputs = 0~V <sub>CC</sub>			3	mA

\* - 3.0V in case of AC (Pulse width ≤ 50ns)

**CAPACITANCE (T<sub>a</sub> = 0~70°C, V<sub>CC</sub> = 5V ± 10%, unless otherwise noted)**

Symbol	Parameter	Test conditions	Limits			Unit
			Min	Typ	Max	
C <sub>I</sub>	Input capacitance	V <sub>I</sub> = GND, V <sub>I</sub> = 25mVrms, f = 1MHz			6	pF
C <sub>O</sub>	Output capacitance	V <sub>O</sub> = GND, V <sub>O</sub> = 25mVrms, f = 1MHz			8	pF

Note 1. Direction for current flowing into an IC is positive (no mark).  
2. Typical value is V<sub>CC</sub> = 5V, T<sub>a</sub> = 25°C.

# M5M5408FP,TP,RT-55L,-70L,-10L, -55LL,-70LL,-10LL

4194304-BIT (542488-WORD BY 8-BIT) CMOS STATIC RAM

**AC ELECTRICAL CHARACTERISTICS** (Ta = 0~70°C, Vcc = 5V ± 10%, unless otherwise noted)

**(1) MEASUREMENT CONDITIONS**

Input pulse levels.....V<sub>IH</sub> = 2.4V, V<sub>IL</sub> = 0.6V

Input rise and fall time .....5ns

Reference levels .....V<sub>OH</sub> = V<sub>OL</sub> = 1.5V

Transition in measured ± 500mV from steady state voltage.(for t<sub>en</sub>, t<sub>dis</sub>)

Output loads .....Fig.1, C<sub>L</sub> = 100pF (FP, TP, RT-10L, -10LL)

C<sub>L</sub> = 30pF (FP, TP, RT-55L, -70L, -55LL, -70LL)

C<sub>L</sub> = 5pF (for t<sub>en</sub>, t<sub>dis</sub>)

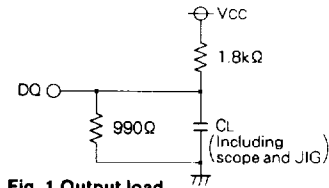


Fig. 1 Output load

**(2) READ CYCLE**

Symbol	Parameter	Limits						Unit
		M5M5408FP, TP, RT-55L, -55LL		M5M5408FP, TP, RT-70L, -70LL		M5M5408FP, TP, RT-10L, -10LL		
		Min	Max	Min	Max	Min	Max	
t <sub>CR</sub>	Read cycle time	55		70		100		ns
t <sub>a(A)</sub>	Address access time		55		70		100	ns
t <sub>a(S)</sub>	Chip select access time		55		70		100	ns
t <sub>a(OE)</sub>	Output enable access time		25		35		50	ns
t <sub>dis(S)</sub>	Output disable time after $\bar{S}$ high		20		25		35	ns
t <sub>dis(OE)</sub>	Output disable time after $\overline{OE}$ high		20		25		35	ns
t <sub>en(S)</sub>	Output enable time after $\bar{S}$ low	10		10		10		ns
t <sub>en(OE)</sub>	Output enable time after $\overline{OE}$ low	5		5		5		ns
t <sub>v(A)</sub>	Data valid time after address	10		10		10		ns

**(3) WRITE CYCLE**

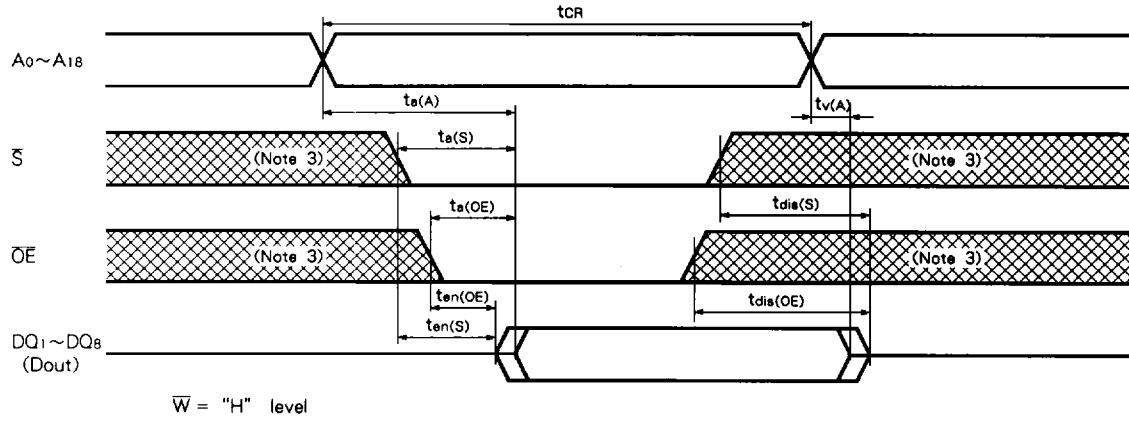
Symbol	Parameter	Limits						Unit
		M5M5408FP, TP, RT-55L, -55LL		M5M5408FP, TP, RT-70L, -70LL		M5M5408FP, TP, RT-10L, -10LL		
		Min	Max	Min	Max	Min	Max	
t <sub>cw</sub>	Write cycle time	55		70		100		ns
t <sub>w(W)</sub>	Write pulse width	40		50		60		ns
t <sub>su(A)</sub>	Address set up time	0		0		0		ns
t <sub>su(A-WH)</sub>	Address set up time with respect to $\bar{W}$ high	50		60		80		ns
t <sub>su(S)</sub>	Chip select set up time	50		60		80		ns
t <sub>su(D)</sub>	Data set up time	25		30		35		ns
t <sub>h(D)</sub>	Data hold time	0		0		0		ns
t <sub>rec(W)</sub>	Write recovery time	0		0		0		ns
t <sub>dis(W)</sub>	Output disable time from $\bar{W}$ low		20		25		35	ns
t <sub>dis(OE)</sub>	Output disable time from $\overline{OE}$ high		20		25		35	ns
t <sub>en(W)</sub>	Output enable time from $\bar{W}$ high	5		5		5		ns
t <sub>en(OE)</sub>	Output enable time from $\overline{OE}$ low	5		5		5		ns

MITSUBISHI LSIs  
**M5M5408FP, TP, RT-55L, -70L, -10L,  
 -55LL, -70LL, -10LL**

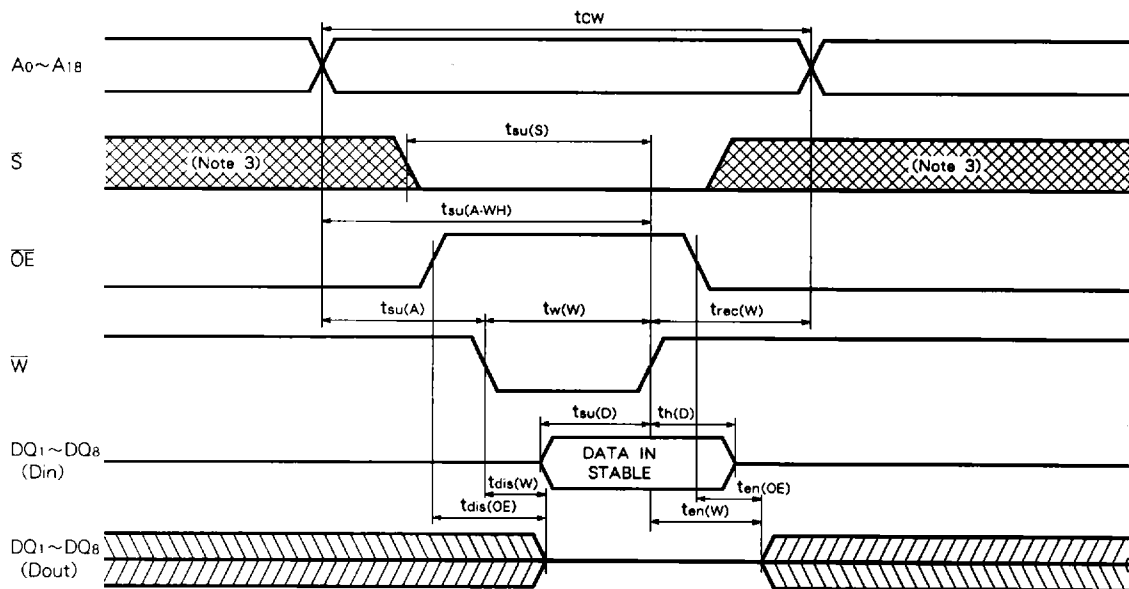
4194304-BIT (542488-WORD BY 8-BIT) CMOS STATIC RAM

**(4) TIMING DIAGRAMS**

**Read cycle**



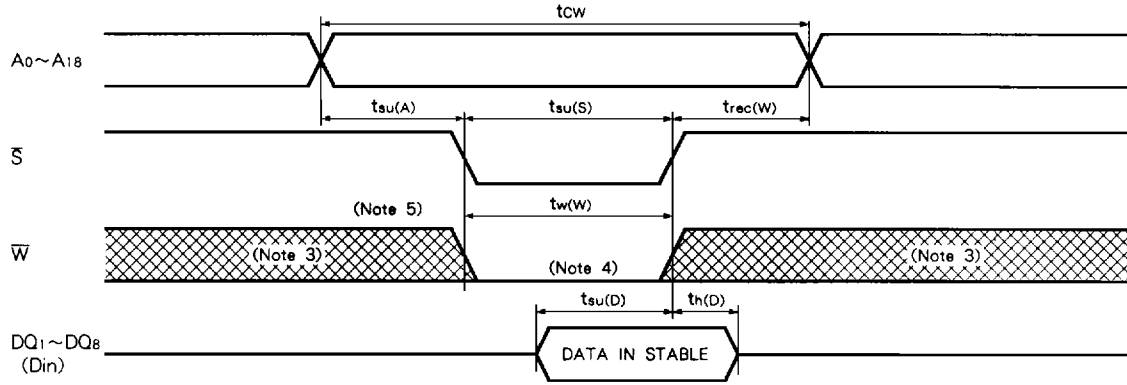
**Write cycle ( $\bar{W}$  control mode)**



**M5M5408FP, TP, RT-55L, -70L, -10L,  
-55LL, -70LL, -10LL**

4194304-BIT (542488-WORD BY 8-BIT) CMOS STATIC RAM

**Write cycle ( $\bar{S}$  control mode)**



Note 3. Hatching indicates the state is "don't care".

4. A write occurs during the overlap of a low  $\bar{S}$  and low  $\bar{W}$ .

5. If  $\bar{W}$  goes low simultaneously with or prior to  $\bar{S}$ , the output remains in the high impedance state.

6. Don't apply inverted phase signal externally when DQ pin is in output mode.

MITSUBISHI LSIs  
**M5M5408FP, TP, RT-55L, -70L, -10L,  
 -55LL, -70LL, -10LL**

**4194304-BIT (542488-WORD BY 8-BIT) CMOS STATIC RAM**

**POWER DOWN CHARACTERISTICS**

**ELECTRICAL CHARACTERISTICS** (Ta = 0~70°C, unless otherwise noted)

Symbol	Parameter	Test conditions	Limits			Unit
			Min	Typ	Max	
V <sub>CC(PD)</sub>	Power down supply voltage		2			V
V <sub>I(S)</sub>	Chip select input $\bar{S}$	2.2 ≤ V <sub>CC(PD)</sub> 2V ≤ V <sub>CC(PD)</sub> ≤ 2.2V	2.2			V
I <sub>CC(PD)</sub>	Power down supply current	V <sub>CC</sub> = 3V, $\bar{S} \geq V_{CC} - 0.2V$ , other inputs = 0~3V			50	μA
				0.4	10 *	

Note 7. When  $\bar{S}$  is at 2.2V (V<sub>IH</sub> min) and the supply voltage is at any level between 4.5V and 2.4V, supply current is defined as I<sub>CC4</sub>.  
 \* I<sub>CC(PD)</sub> = 1 μA at Ta = 25°C.

**TIMING REQUIREMENTS** (Ta = 0~70°C, unless otherwise noted)

Symbol	Parameter	Test conditions	Limits			Unit
			Min	Typ	Max	
t <sub>su(PD)</sub>	Power down set up time		0			ns
t <sub>rec(PD)</sub>	Power down recovery time		5			ms

**POWER DOWN CHARACTERISTICS**

$\bar{S}$  control mode

