

PRODUCT NUMBER

10072354-X01-XXXLF

PLATING
 S = 0.38µm GOLD ON CONTACT AREA
 2µm MIN MATTE TIN ON TAIL
 OVER 1.27µm MIN NICKEL
 G = 0.76µm GOLD ON CONTACT AREA
 2µm MIN MATTE TIN ON TAIL
 OVER 1.27µm MIN NICKEL
 F = GOLD FASH ON CONTACT AREA
 2µm MIN MATTE TIN ON TAIL
 OVER 1.27µm MIN NICKEL

RoHS COMPATIBLE
 NOTE 6

PACKAGING
 NOTE 5

TOTAL NB OF POSITIONS
 04 TO 50 POS

A

B

NOTES:

1. MATERIAL HOUSING: HIGH TEMP. THERMOPLASTIC
 UL 94V-0, COLOR BLACK
2. MATERIAL TERMINAL: COPPER ALLOY
3. TO DETERMINE DIMENSIONS:
 N = NUMBER OF POSITIONS PER ROW.
4. 7N MIN PIN RETENTION IN EITHER DIRECTION.
5. PACKAGING :
 = PLASTIC BOX
 U = TUBE AVAILABLE FROM 06 TO 50 POS
6. RoHS COMPATIBLE PRODUCT SPECIFICATIONS

a - PLATING

= 'LF' MEANS THE PRODUCT IS LEAD-FREE
 2µm MINIMUM MATTE TIN OVER 1.27µm
 MINIMUM NICKEL UNDERPLATE.

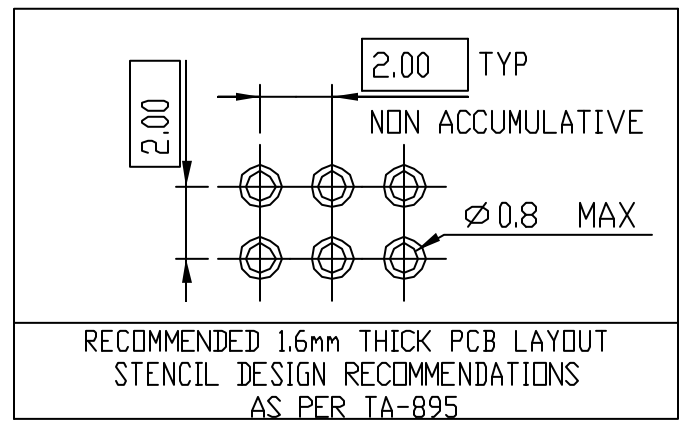
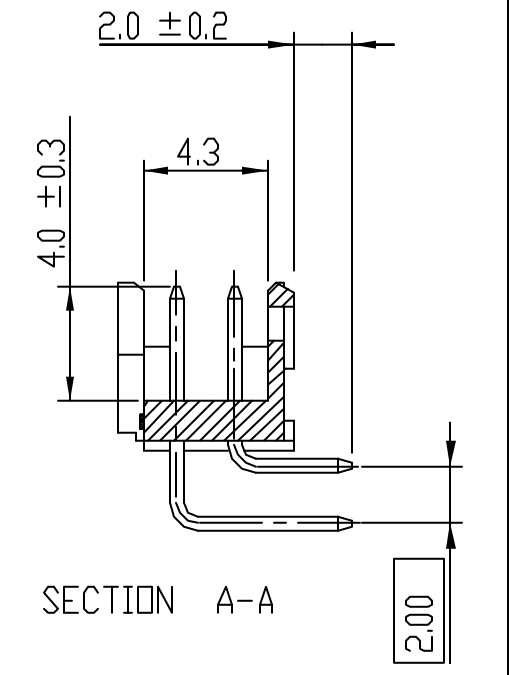
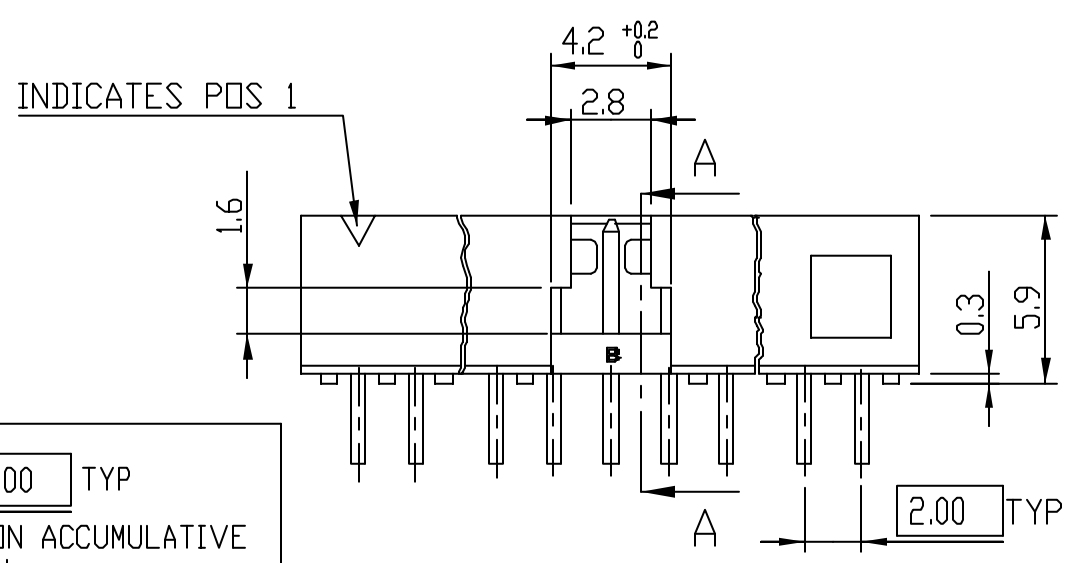
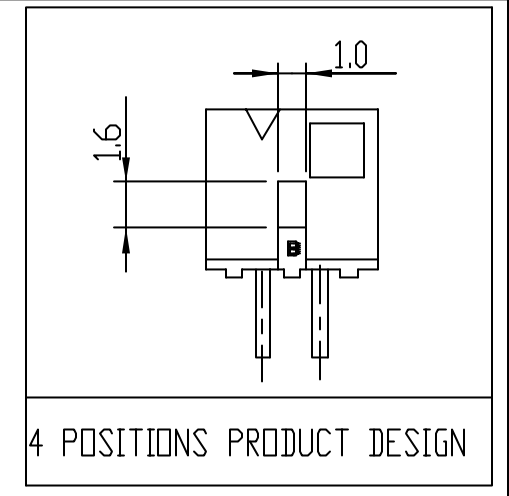
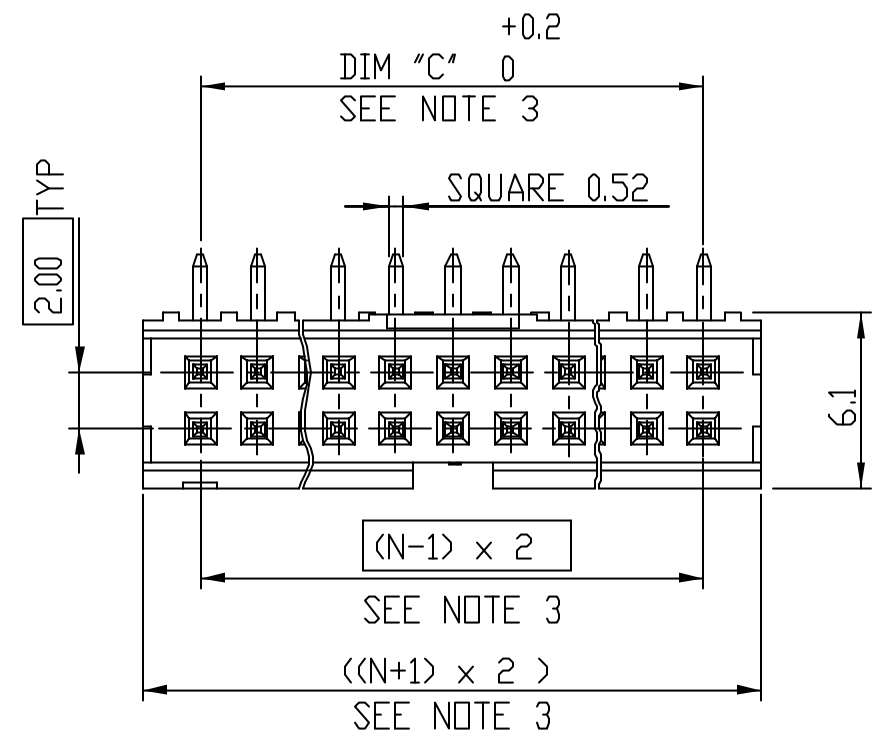
b - MANUFACTURING PROCESS COMPATIBILITY

- THE HOUSING WITHSTAND EXPOSURE TO
 260°C PEAK TEMPERATURE FOR
 30 SECONDS MAX IN A CONVECTION, INRA-RED
 OR VAPOR PHASE OR REFLOW OVEN.

c - LABELLING:

- MEETS PACKAGING SPECS AS PER GS-14-920.

d - THIS PRODUCT MEETS EUROPEAN DIRECTIVES
 AND OTHER COUNTRY REGULATIONS AS DISCRIBED
 IN GS-22-008



rev	ecn no	dr	date
A	F07-0105	LMU	07.01.10
B	F08-0113	LMU	08.01.17
-	-	-	-
-	-	-	-
-	-	-	-
-	-	-	-

www.fciconnect.com		surface - ✓	tolerance std	projection	mm
		ISO 1302	ISO 406 ISO 1101	⊕	↔
		TOLERANCES UNLESS OTHERWISE SPECIFIED		size	Scale
Dr	L MULIN	06.09.14	ANGULAR	A3	4:1
Eng	J COMPAGNON	06.09.14	LINEAR	ECN	-
Chr	-	-	0° ±2°	Spec ref	-
Appr	JM.C	06.09.14	Product family	Minitek	-
FCI		title		dwg no	Rev.
		SHR HEADER		10072354	B
		2.00 RIGHT ANGLE PIP		CUSTOMER Drawing	sheet 1 of 1
		catalog no			