

Tous droits strictement reserves. Reproduction ou communication a des tiers interdite sous quelque forme que ce soit sans autorisation ecrite du proprietaire. Propriete de c FCI. Droits de reproduction FCI.



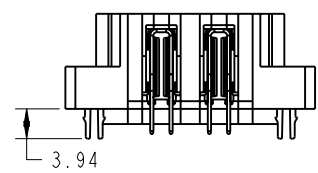
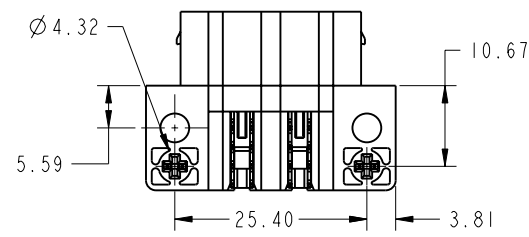
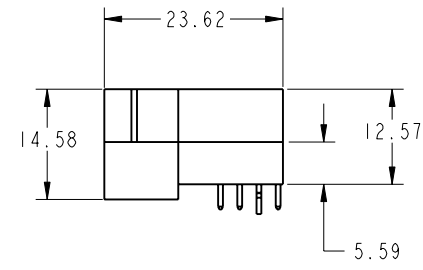
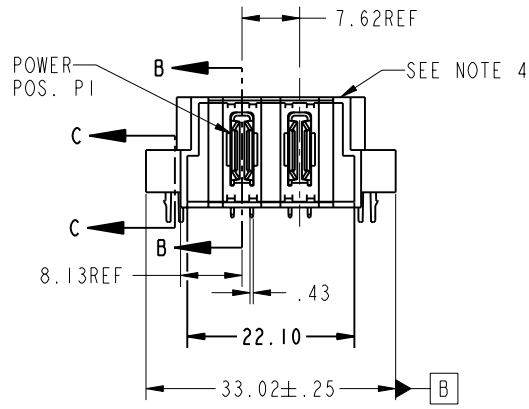
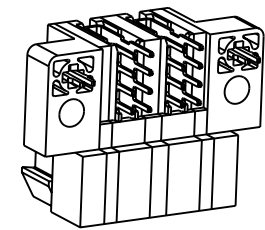
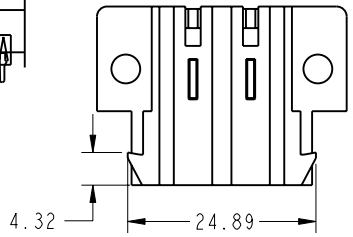
All rights strictly reserved. Reproduction or issue to third parties in any form whatever is not permitted without written authority from the proprietor. Property of FCI. Copyright FCI.

PRODUCT NO.	POWER			
	E1	P1	P2	E2
51939-198-- NOTE (3)		PA	PA	

1 | 2

3 |

4



CONFIDENTIAL

CODE	DIM "M" MATING LENGTH	CONTACT TYPE
HA	[N/A]	HOLD-DOWN
PA	[N/A]	POWER

mat'l code				SEE NOTE 2		tolerances unless otherwise specified		CUSTOMER		FCI www.fciconnect.com	
ltr	ecr no.	dr	date	linear	0.X ±0.3		COPY		projection	title	
A	DG05-0237	GuoJM	06/22/05		0.XX ±0.13		MM			2ACP	
B	DG06-0001	RYAN	01/06/06		0.XXX ±0.050		←→			RIGHT ANGLE STB HEADER	
C	DG06-0095	SW	03/07/06		0° ±2°		1:1			product family PwrBlade code	
D	DG06-0250	JMG	06/23/06	dr	JM Guo	06/22/05	scale		size	dwg no	sheet
sheet index		revision sheet	D	D	D				A	51939-198	213 1 of 3
			1	2	3				cage code		
									22526		

1 | 2

Pro/E

3 |

4

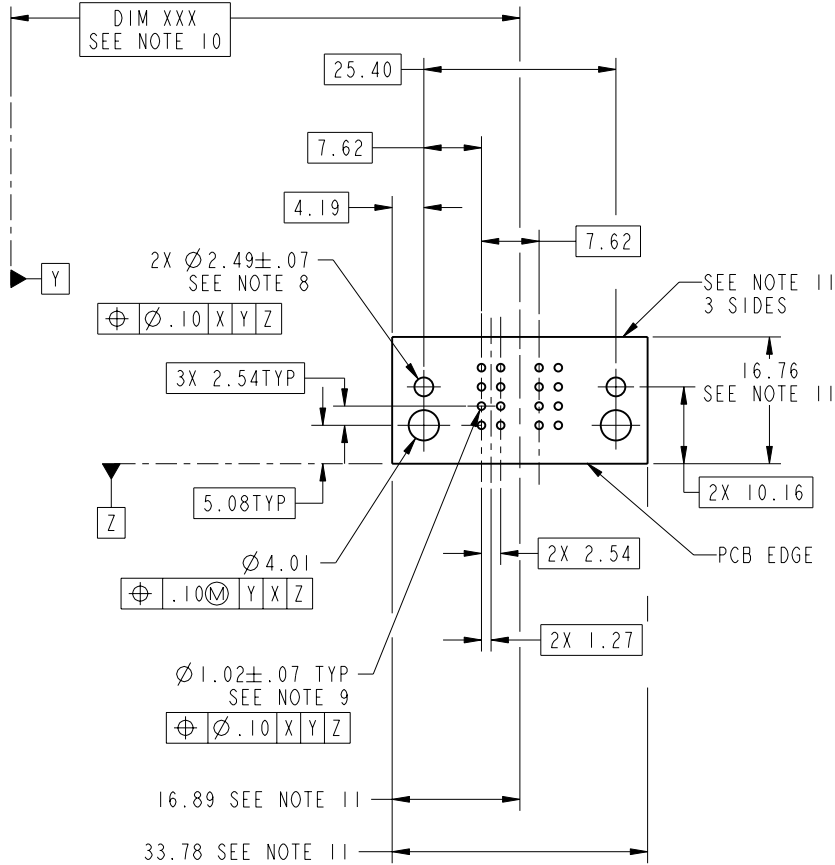
Tous droits strictement reserves. Reproduction ou communication a des tiers interdite sous quelque forme que ce soit sans autorisation ecrite du proprietaire. Propriete de c FCI. Droits de reproduction FCI.



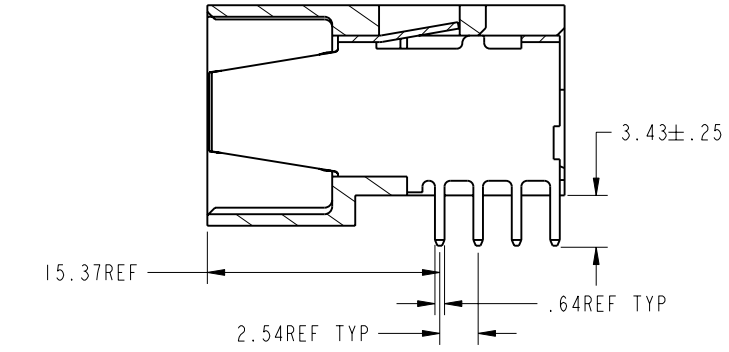
All rights strictly reserved. Reproduction or issue to third parties in any form whatever is not permitted without written authority from the proprietor. Property of FCI. Copyright FCI.

PRODUCT NUMBER

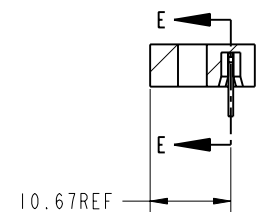
51939-198__
NOTE ③



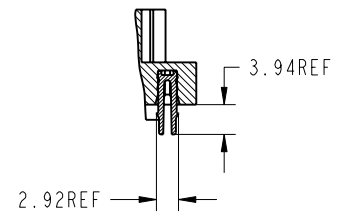
RECOMMENDED PCB LAYOUT



SCALE 2:1



SECTION C-C



SECTION E-E

CONFIDENTIAL

mat'l code				SEE NOTE 2		tolerances unless otherwise specified		CUSTOMER		FCI www.fciconnect.com	
lfr	ecr no.	dr	date	linear	0.X ±0.3		COPY		projection	title	
D					0.XX ±0.13		MM			2ACP	
					0.XXX ±0.050		←→			RIGHT ANGLE STB HEADER	
				angles	0° ±2°		scale		product family		
				dr	JM Guo	06/22/05	1:1		PwrBlade		
				engr	LUOS	06/22/05			code		
				chr	VICTOR LIN	06/22/05			size		
				appd	JOSEPH HSIA	06/22/05			dwg no		
sheet index		revision sheet						A		51939-198	
										213	
										2 of 3	

Pro/E

cage code 22526

Tous droits strictement reserves. Reproduction ou communication a des tiers interdite sous quelque forme que ce soit sans autorisation ecrite du proprietaire. Propriete de c FCI. Droits de reproduction FCI.



All rights strictly reserved. Reproduction or issue to third parties in any form whatever is not permitted without written authority from the proprietor. Property of FCI. Copyright FCI.

PRODUCT NUMBER

51939-198__
NOTE (3)

NOTES:

1. DIMENSIONS AND TOLERANCES ARE IN ACCORDANCE WITH ASME Y14.5M, 1994 UNLESS OTHERWISE SPECIFIED.


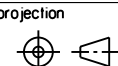
CONNECTOR NOTES:

- 2. HOUSING MATERIAL: UL 94 V-0 GLASS FILLED HIGH-TEMP THERMOPLASTIC
POWER CONTACT MATERIAL: COPPER ALLOY
SIGNAL PIN MATERIAL: COPPER ALLOY
- 3. 51939-198;51939-198LF;51939-198GLF PLATING SPEC. SEE PRINT: 10064183.
- 4. NO ANY MARK ON THIS SURFACE.
- 5. PRODUCT SPECIFICATION GS-12-149.
APPLICATION SPECIFICATION BUS-20-067.
- 6. PACKAGED:
51939-198 AND 51939-198LF WILL BE PACKAGED BY TRAY.
51939-198T AND 51939-198TLF WILL BE PACKAGED BY TAPE-ON REEL.

PCB NOTES:

- 7. ALL HOLE DIAMETERS ARE FINISHED HOLE SIZE.
- 8. MOUNTING HOLES, WHERE APPLICABLE, ARE UNPLATED.
- 9. $\varnothing 1.151 \pm 0.025$ DRILLED HOLES PLATED WITH 0.08 MIN SnPb OVER 0.03 TO 0.08 Cu PLATING TO ACHIEVE $\varnothing 1.02 \pm 0.07$ HOLE.
- 10. "DIM XXX" TO BE DETERMINED BY THE CUSTOMER.
- 11. CONNECTOR KEEP-OUT ZONE.

CONFIDENTIAL

mat'l code				SEE NOTE 2		tolerances unless otherwise specified		CUSTOMER		 www.fciconnect.com			
ltr	ecr no.	dr	date	linear	0.X ± 0.3		COPY		 title 2ACP RIGHT ANGLE STB HEADER	product family		code	
D					0.XX ± 0.13		MM			size	dwg no	213	
					angles	0.XXX ± 0.050		1:1		A	51939-198	3 of 3	
				dr	JM Guo	06/22/05							
				engr	LUOS	06/22/05							
				chr	VICTOR LIN	06/22/05							
				appd	JOSEPH HSIA	06/22/05							
sheet index	revision sheet												

Pro/E

cage code 22526

PDM: Rev:D

STATUS:Released

Printed: Jun 27, 2006