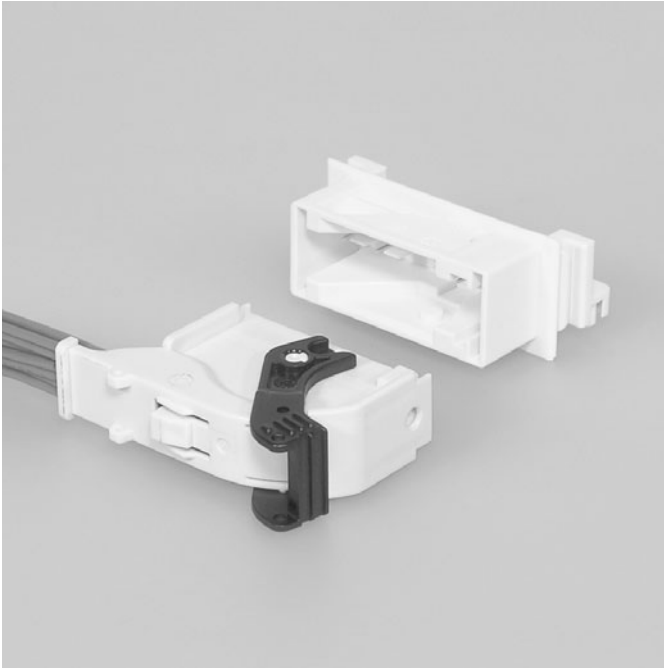


GIT CONNECTOR (18P type)

Board-to-wire



Features

●Variation

Contact JST for housing color/key code.

●Terminal construction

It is designed to prevent the deformation of contact area when processing wire harness by separate area of each terminal box and spring contact.

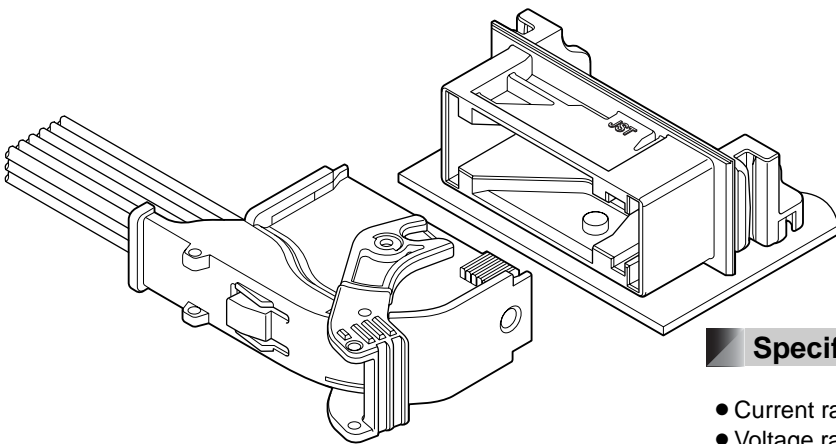
The contact stabilization is achieved by two spring contact area constructions.

●Mating

The lever mechanism is adopted to decrease the insertion force in mating male and female.

This connector is realized the miniaturization as air-bag ECU for automobile and low insertion force by using lever.

This connector has the various color/key code corresponding to needs, hence the connector type suitable for the vehicle can be selected.



Specifications

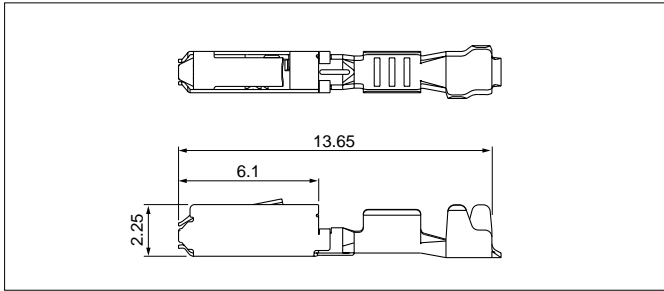
- Current rating: 5A AC, DC (0.5mm², Single circuit)
- Voltage rating: 14V AC, DC
- Temperature range: -40°C to +85°C
(including temperature rise in applying electrical current)
- Contact resistance:
Female terminal; Initial value/10mΩ max.
After environmental testing/20mΩ max.
- Insulation resistance: 100MΩ min.
- Withstanding voltage: 1,000V AC/minute
- Applicable wire: AVSS
0.5mm²

* Compliant with ELV/RoHS.

* Contact JST for details.

GIT(18P type) CONNECTOR

Female terminal



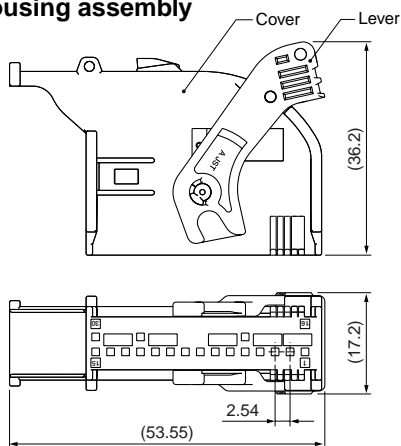
Model No.	Applicable wire range		Q'ty/reel
	Conductor (mm ²)	Insulation O.D. (mm)	
SGIT-A021GF-MS0.64	0.5	1.7	7,000

Material and Finish

Terminal box: Stainless
Terminal: Copper alloy, nickel-undercoated, Contact area; gold-plated
Barrel area; gold-plated

Female connector

Cover housing assembly



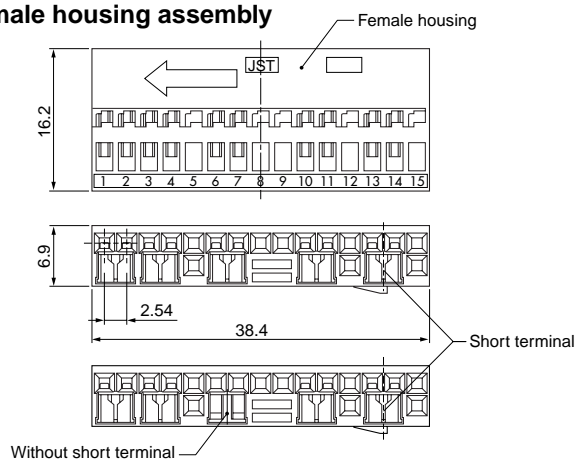
Model No.	Q'ty/box	Color
18GIT-CL-1A-01-01	600	Yellow

Material

Cover housing: Glass-filled PBT, yellow
Lever: Glass-filled PBT, black

Note: Color/Key codes other than above-mentioned housing are also available. Contact JST for details.

Female housing assembly

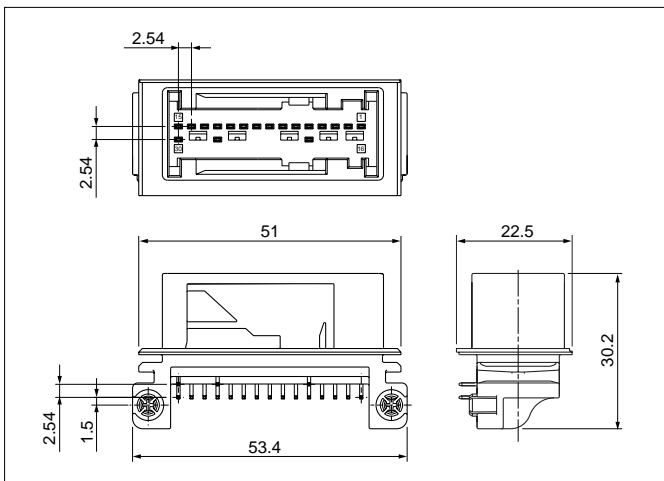


Model No.	Q'ty/box	No. of short terminals
18GIT-RS-1A-Y	2,000	5
18GIT-RS-2A-Y	2,000	4

Material and Finish

Short terminal: Copper alloy, nickel-undercoated, Contact area; gold-plated

Male connector



Model No.	Q'ty/box	Color
S18B-GIT01-1A-01	240	Yellow

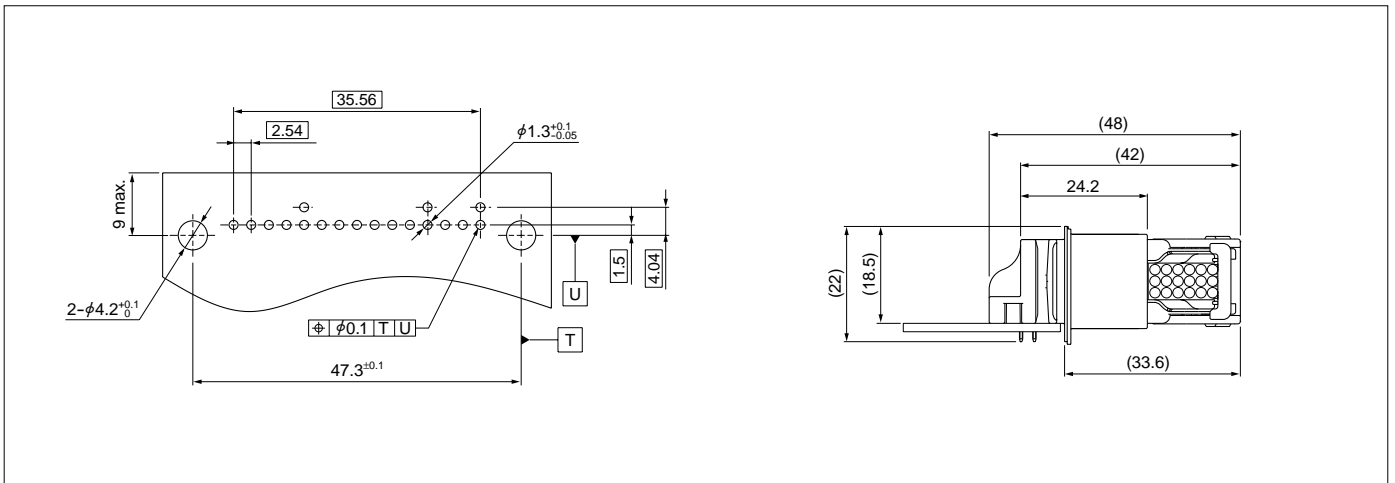
Material and Finish

Male housing: Glass-filled PBT, yellow
Pin: Copper alloy, nickel-undercoated, tin-plated, Contact area; gold-plated

Note: Color/Key codes other than above-mentioned housing are also available. Contact JST for details.

GIT(18P type) CONNECTOR

PC board layout, Assembly layout



Crimping machine, Applicator

Strip terminal	Crimping machine	Crimp applicator MKS-L		Applicable wire
		Dies	Crimp applicator with dies	
SGIT-A021GF-MS0.64	AP-K2N	MK/SGIT-A021-064	APLMK SGIT-A021-064	AVSS0.5

Note: When crimping operation is conducted using an applicator and die set other than the above, JST cannot guarantee the performance of the terminal.