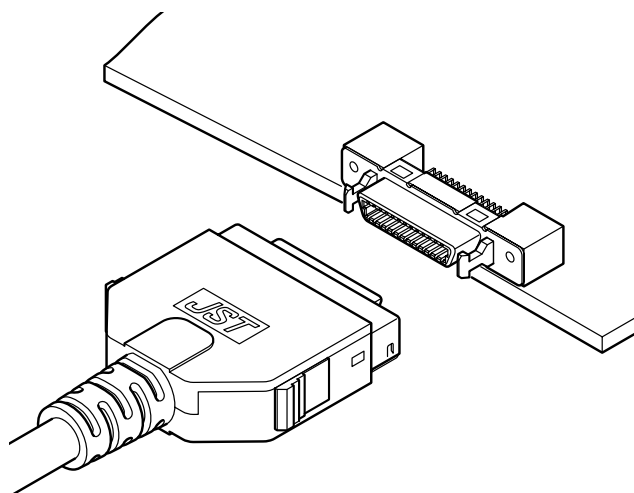


DMX CONNECTOR

1.0mm pitch I/O connectors



The DMX connector is an I/O connector designed to connect notebook PCs or PDAs (Personal Digital Assistants).



Features

• Distortion preventive device

The contacts are bellows type, which are resistant to distortion during mating and unmating.

• One-touch locking device

• Insulation displacement system

The cable is connected to the plug using the insulation displacement method. Special application tooling is available to aid assembly.

• EMI shielding effect

• Embossed tape for automatic mounting

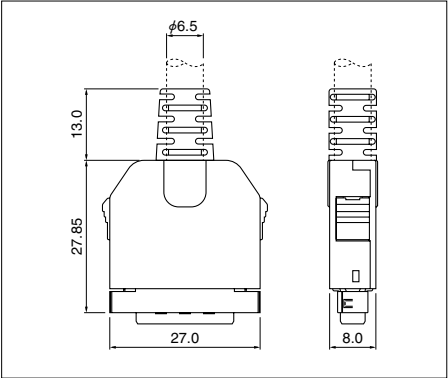
The DMX receptacle is very light, and can be packaged in embossed tape for automatic mounting.

Specifications

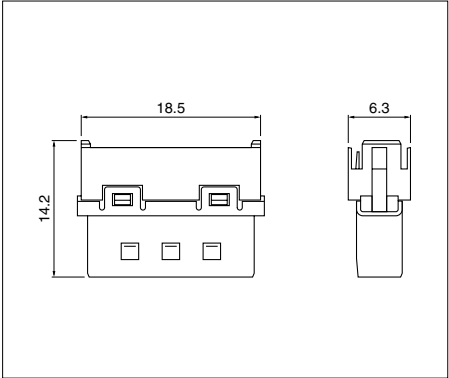
- Current rating: 0.5A AC, DC
- Voltage rating: 125V AC, DC
- Temperature range: -55°C to +85°C
(including temperature rise in applying electrical current)
- Contact resistance: Initial value/40m Ω max.
After environmental testing/60m Ω max.
- Insulation resistance: 1,000M Ω min.
- Withstanding voltage: 500V AC/minute
- * RoHS compliant products are published.
- * Refer to "General Instruction and Notice when using Terminals and Connectors" at the end of this catalog.
- * Contact JST for details.

Plug

Plug assembly



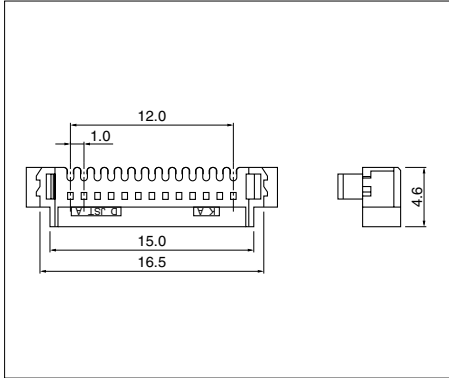
Plug housing



Model No.	Material and Finish
DMX-PHA26-A113-10	Contact
	Housing
	Shell
	Material and Finish
	Copper alloy, nickel-undercoated ID part; tin-plated (reflow treatment) Mating part; gold-plated
	Glass-filled PBT, UL94V-0
	Stainless steel

RoHS compliance
This product displays (LF)(SN) on a label.

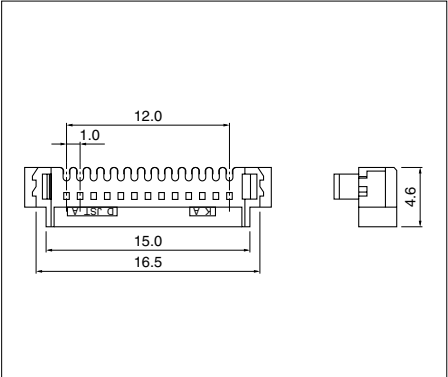
Strain relief A



Model No.	Material
DMX-PSR26-A11A	PC, UL94V-0

RoHS compliance

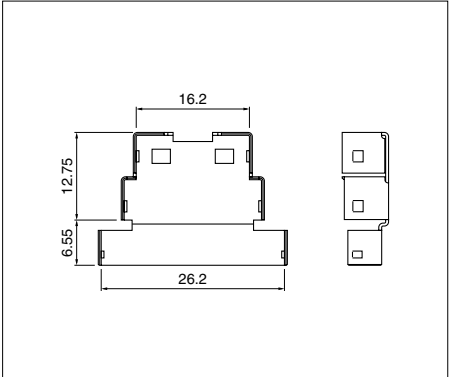
Strain relief B



Model No.	Material
DMX-PSR26-A11B	PC, UL94V-0

RoHS compliance

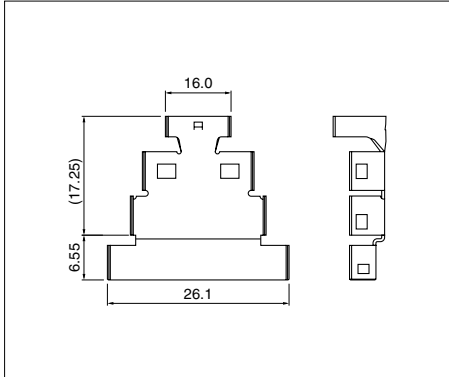
Metal cover A



Model No.	Material
DMX-PMC26-10A	Stainless steel

RoHS compliance

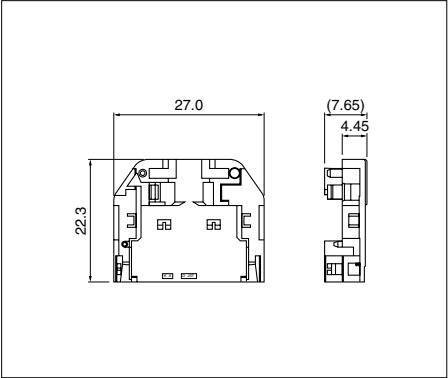
Metal cover B



Model No.	Material
DMX-PMC26-11B	Stainless steel

RoHS compliance

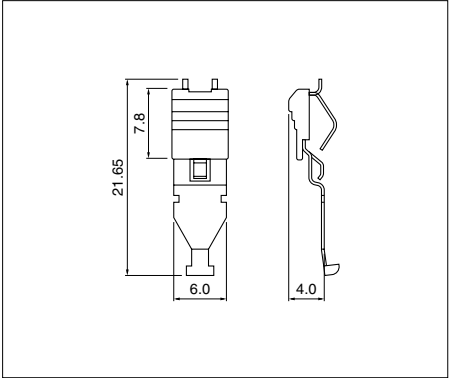
Cover housing



Model No.	Material
DMX-PCH26-11	PC, UL94V-0

RoHS compliance

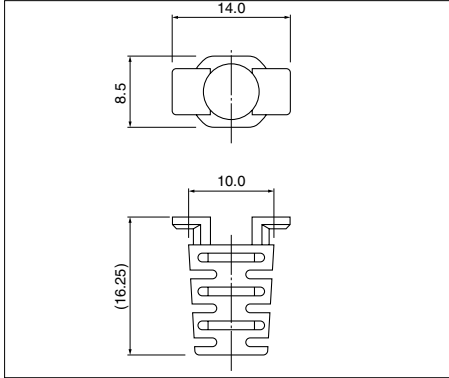
Lock



Model No.	Material
DMX-PSLA-11	Lock button
	Metal fixture
	PC, UL94V-0
	Stainless steel

RoHS compliance

Bushing

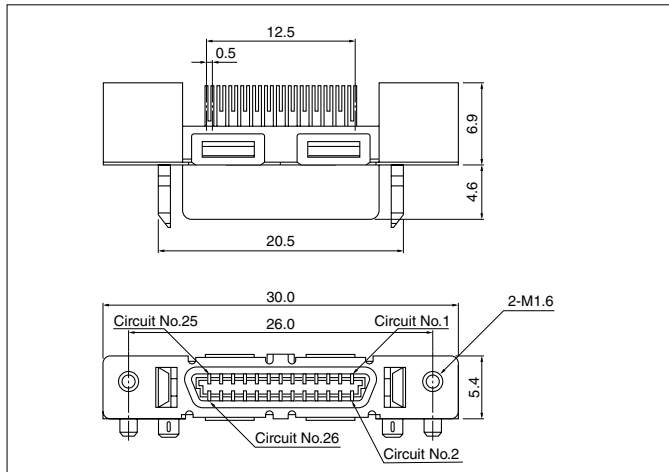


Model No.	Material
DX-P-B26-12	PVC, UL94V-0

RoHS compliance

DMX CONNECTOR

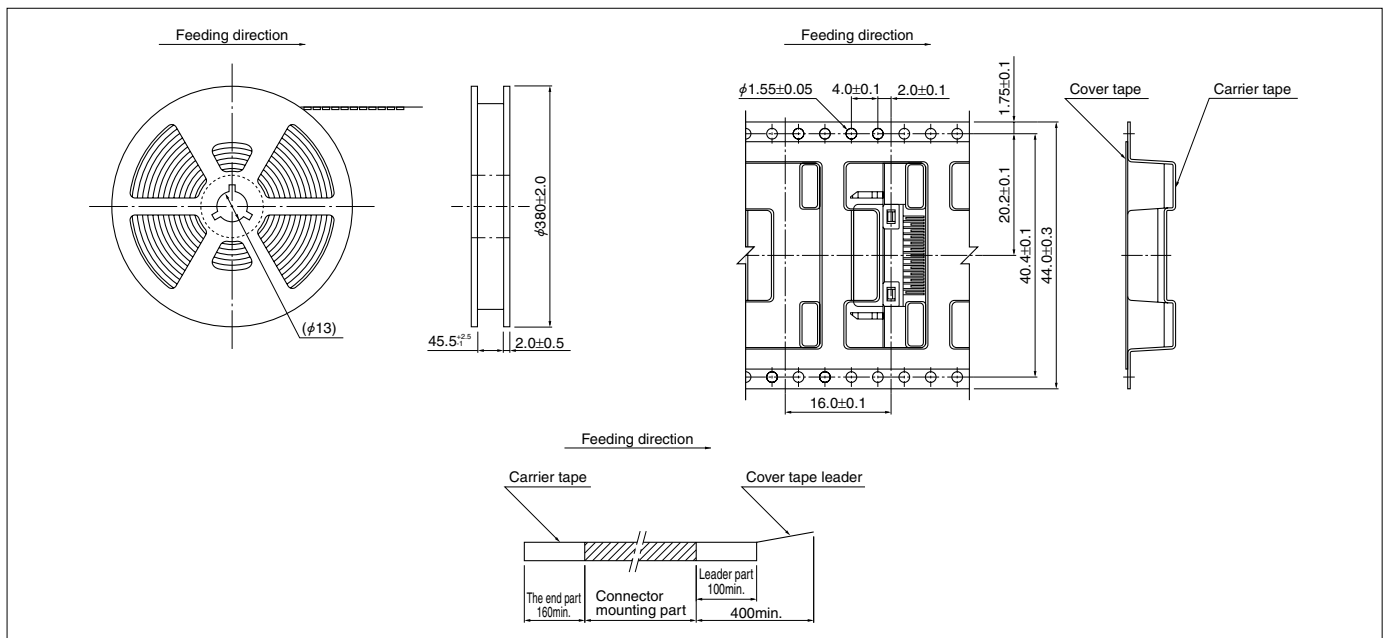
Receptacle



Model No.	Material and Finish		Q'ty / reel
DMX-RN26S-50E-TF	Contact	Copper alloy, nickel-undercoated, ID part; gold-plated Solder tail; tin-plated (reflow treatment)	750
	Housing	LCP, UL94V-0	
	Shell	Stainless steel	
	Clamp	Steel, nickel-undercoated, tin/copper alloy-plated	

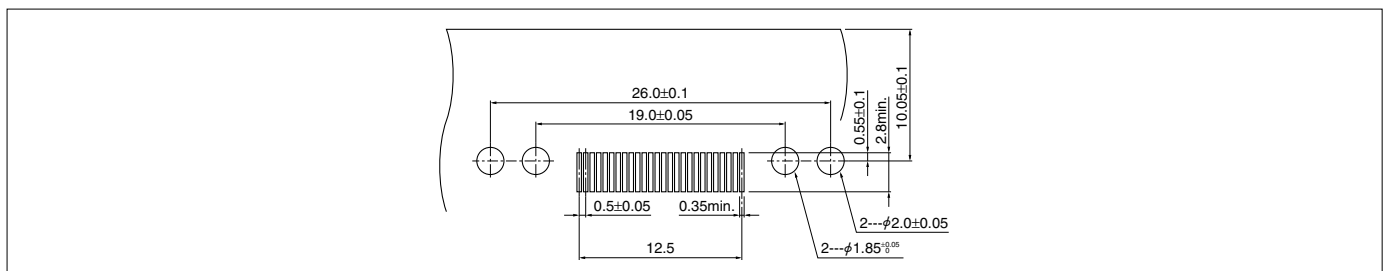
RoHS compliance This product displays (LF)(SN) on a label.

Taping specifications



Note: 1. Specifications conform to JIS C 0806. The tape width, connector recess dimensions, etc. are determined by the number of circuits and external shape of the connector to be loaded.
 2. Specifications are subject to change without prior notice.

PC board layout (viewed from component side)



Note: 1. Tolerances are non-cumulative: ±0.05mm for all centers.
 2. The dimensions above should serve as a guideline. Contact JST for details.