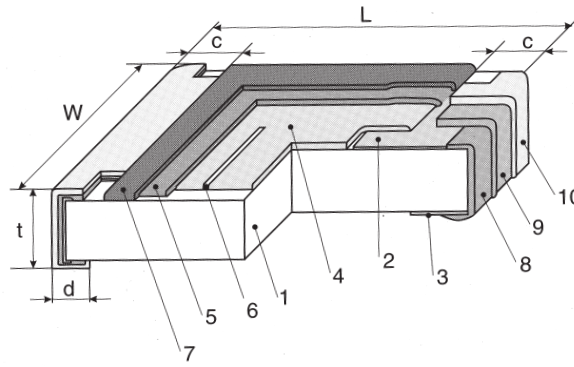
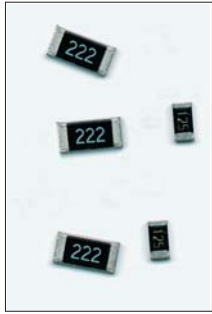


FLAT CHIP THICK FILM HIGH VOLTAGE HV73



STRUCTURE

- 1 Ceramic substrate
- 2 Top termination (Ag Pd)
- 3 Bottom termination (Ag)
- 4 Resistive layer
- 5 Glass layer
- 6 Trimming cut
- 7 Protective layer
- 8 End termination
- 9 Diffusion barrier (Ni)
- 10 Solder plating

IDENTIFICATION

TYPE	COATING COLOR	MARKING
HV73 1J	Black	None
HV73 2A, 2B, 2H		White, 3 digits

All these products have
Pb-free terminations
and meet RoHS requirements

TYPE DESIGNATION (HOW TO ORDER)

HV73	2B	T	TD	1004	F
PRODUCT CODE	STYLE	TERMINATION SURFACE MATERIAL	TAPING*	NOMINAL RESISTANCE	TOLERANCE
	1J: 0.1W 2A: 0.125W 2B: 0.25W 2H: 0.5W	T: Sn	TD: punched paper tape TE: embossed plastic tape BK: Bulk *Please see "PACKAGING"	J, G: 3 digits D, F: 4 digits	D: ±0.5% F: ±1% G: ±2% J: ±5%

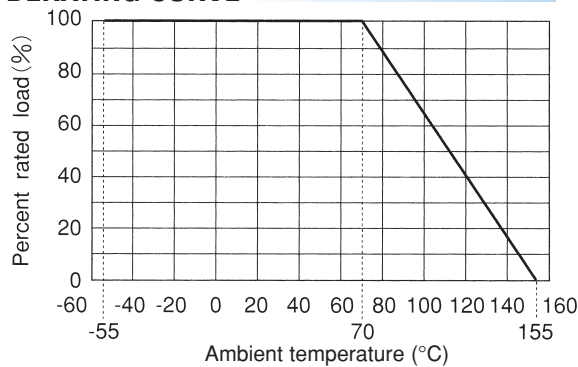
FEATURES

- Superior to RK73-series in maximum working voltage
- Higher critical R-value than standard RK73-series
- RuO₂ thick film resistor element
- Anti-leaching nickel barrier terminations
- Excellent heat resistance and moisture resistance are ensured by the use of metal glaze thick film
- Ideal for use in AV adapters, LCD back-light, camera strobe, electronic lighting ballast etc.
- Rated ambient temperature: +70°C
- Operating temperature range: -55°C...+155°C
- Meets or exceeds IEC 60115-8, JIS C 5201-8, EIAJ RC-2134A
- Suitable for reflow and wave soldering

DIMENSIONS (mm)

SIZE	TYPE	L ±0.2	W	c	d	t ±0.1
NEW 0603	HV73 1J	1.6	0.8 ± 0.1	0.3 ± 0.1	0.3 ± 0.1	0.45
0805	HV73 2A	2.0	1.25 ± 0.1	0.4 ± 0.2	0.3 ^{+0.2} _{-0.1}	0.5
1206	HV73 2B	3.2	1.6 ± 0.2	0.5 ± 0.3	0.4 ^{+0.2} _{-0.1}	0.6
NEW 2010	HV73 2H	5.0	2.5 ± 0.2	0.5 ± 0.3	0.4 ^{+0.2} _{-0.1}	0.6

DERATING CURVE



RATING

SIZE	TYPE	T.C.R. (ppm/K)	POWER* RATING	MAX. WORKING VOLTAGE	MAX. OVERLOAD VOLTAGE**	RESISTANCE RANGE (E24)			
						D (±0.5%)	F (±1%)	G (±2%)	J (±5%)
NEW 0603	HV73 1J	±100***	0.1 W	350 V	500 V (DC)	—	10 kΩ ... 10 MΩ	10 kΩ ... 10 MΩ	10 kΩ ... 10 MΩ
0805	HV73 2A	± 100	0.125 W	400 V	800 V (DC)	100 kΩ ... 1 MΩ	100 kΩ ... 10 MΩ	100 kΩ ... 10 MΩ	100 kΩ ... 10 MΩ
		± 200				—	—	11 MΩ ... 51 MΩ	
1206	HV73 2B	± 100	0.25 W	500 V	1000 V (DC)	100 kΩ ... 1 MΩ	100 kΩ ... 10 MΩ	100 kΩ ... 10 MΩ	100 kΩ ... 10 MΩ
		± 200				—	—	11 MΩ ... 51 MΩ	
NEW 2010	HV73 2H	± 100	0.5 W	2000 V (DC)****	3000 V (DC)	100 kΩ ... 1 MΩ	100 kΩ ... 10 MΩ	100 kΩ ... 10 MΩ	100 kΩ ... 10 MΩ
		± 200				—	—	11 MΩ ... 51 MΩ	

* For resistors operated at an ambient temperature of +70°C or above, the power rating shall be derated in accordance with the above derating curve.
 ** Max. overload voltage is specified by D.C. voltage. When using in A.C. voltage, the peak value of A.C. voltage shall not exceed the maximum overload voltage.
 *** In the ohmic range between 1.1 MΩ...10 MΩ the specified T.C.R. is ±200 ppm/K in the temperature range -55°C...+25°C. At temperatures +25°C...+125°C the T.C.R. is specified with ±100 ppm/K.
 **** Max. working voltage of 2H-size is specified by D.C. voltage.