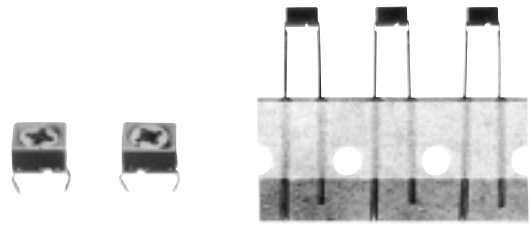


Adjustable (pre-set) Ceramic Capacitors

Series: **L**



Series L are miniature in size and are encased in a square plastic case. Taped types are available for automatic insertion machines.

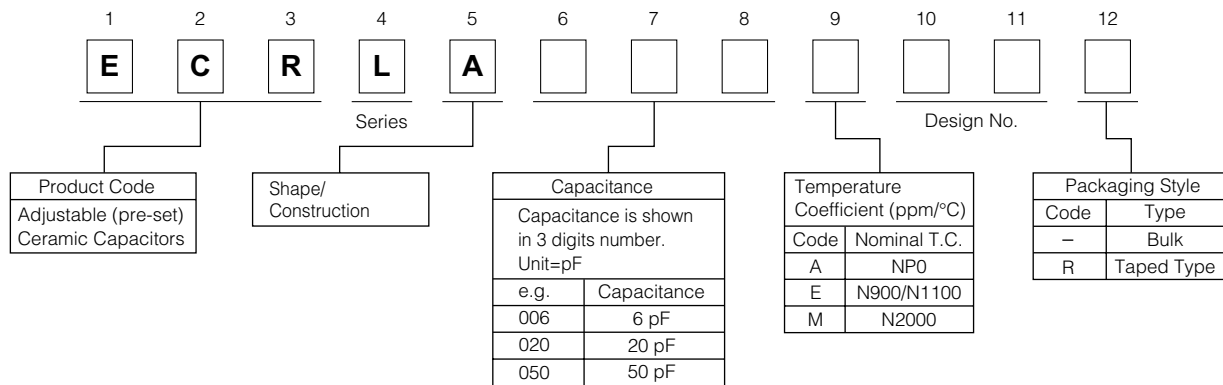
■ Features

- Miniature and thin type: 4.0×4.5×2.7 mm
- Wide range of nominal capacitance 3 to 50 pF
- Radial taped type is available for automatic insertion machines
- Easy reading of the capacitance with color-coded case

■ Recommended Applications

- TVs and VTRs
- Audio equipment
- Electronic equipment

■ Explanation of Part Numbers



■ Ratings and Characteristics

Item	Ratings
Rated Voltage	100 VDC
Dielectric Withstanding Voltage	220 VDC
Insulation Resistance (at C max.)	10 ⁴ MΩ min. at 100 VDC and 1 minute electrification
Rotation Torque	1.47 to 9.81 mN · m
Operating Temperature Range	-25 to +85 °C

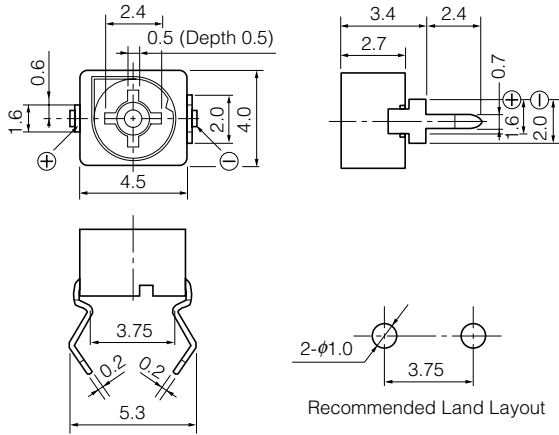
Part Number			Capacitance (pF)		Temperature Coefficient (ppm/°C)	Q (at C max.)	Color
Type 12	Type 52	Type 53	max.	min.			
ECRLA003A12	ECRLA003A52	ECRLA003A53R	3 ⁺⁵⁰ ₀ %	1.7 max.	NP0±200	300 min.(10 MHz)	White
ECRLA006A12	ECRLA006A52	ECRLA006A53R	6 ⁺⁵⁰ ₀ %	2.5 max.	NP0±200		500 min. (10 MHz)
ECRLA010A12	ECRLA010A52	ECRLA010A53R	10 ⁺⁵⁰ ₀ %	3.5 max.	NP0±300	White	
ECRLA020E12	ECRLA020E52	ECRLA020E53R	20 ⁺⁵⁰ ₀ %	5.5 max.	N900±350	Red	
ECRLA030E12	ECRLA030E52	ECRLA030E53R	30 ⁺⁵⁰ ₀ %	7.5 max.	N1100±450	300 min.(1 MHz)	Green
ECRLA050M12	ECRLA050M52	ECRLA050M53R	50 ⁺¹⁰⁰ ₀ %	15.0 max.	N2000±600	200 min.(1 MHz)	Orange

Design and specifications are each subject to change without notice. Ask factory for the current technical specifications before purchase and/or use. Should a safety concern arise regarding this product, please be sure to contact us immediately.

■ Dimensions in mm (not to scale)

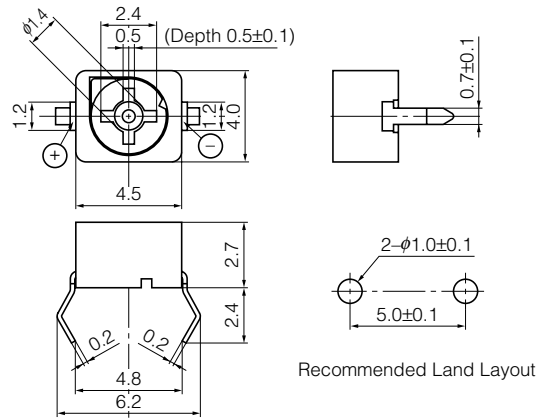
Type 12

ECRLA□□□□12



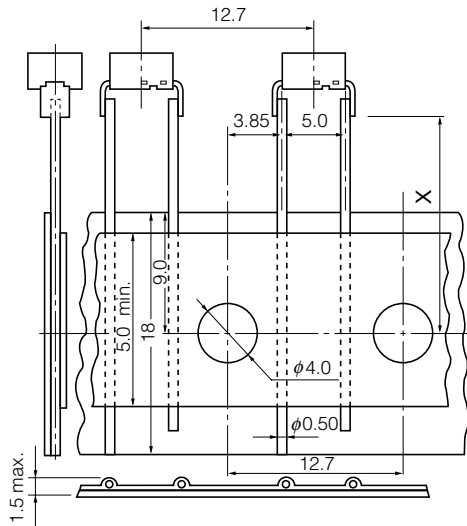
Type 52

ECRLA□□□□52



Type 53 (Radial Taping)

ECRLA□□□□53R



Part Number	Dim. (mm) "X"
ECRLA□□□□53R	16.5

■ Typical Characteristics

Temperature Characteristics

