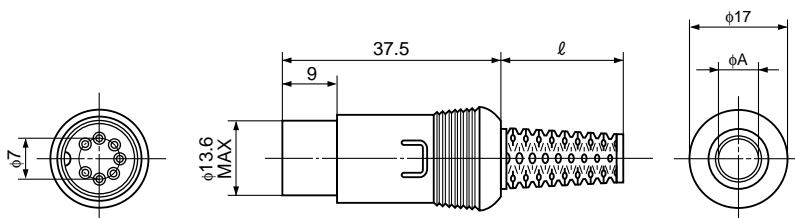


DIN Connectors (Plugs)

TCP0500 Series

Soldering Connection Type

UNIT: mm

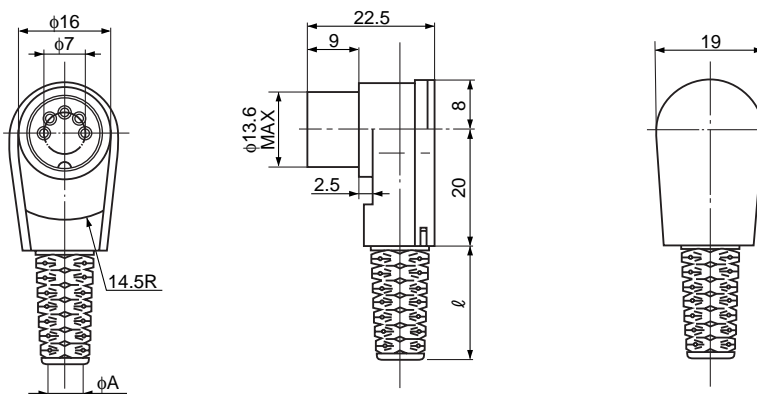


TCP0576-71-5201

DIN Standard No.		41524	—	41524	—	45327	45322	45329	45326	—		
Number of Pins		3	4	5a	5b	5c	6	7	8a	8b		
Insulating Material (UL Flame Class)	Bush		Color	Diagram	Diagram	Diagram	Diagram	Diagram	Diagram	Diagram		
	Length (ℓ)	Inner Dia. (A)										
Body: 94V-0 Cap: 94V-2 Bush: —	16	4.2	Black	TCP0534-71-5201	TCP0544-71-5201	TCP1554-71-5201	TCP0524-71-5201	TCP0514-71-5201	TCP0564-71-5201	TCP0574-71-5201	TCP0584-71-5201	TCP0594-71-5201
			Gray#1	TCP0534-71-5401	TCP0544-71-5401	TCP1554-71-5401	TCP0524-71-5401	TCP0514-71-5401	TCP0564-71-5401	TCP0574-71-5401	TCP0584-71-5401	TCP0594-71-5401
			Gray#2	TCP0534-71-5601	TCP0544-71-5601	TCP1554-71-5601	TCP0524-71-5601	TCP0514-71-5601	TCP0564-71-5601	TCP0574-71-5601	TCP0584-71-5601	TCP0594-71-5601
	16	5.2	Black	TCP0539-71-5201	TCP0549-71-5201	TCP1559-71-5201	TCP0529-71-5201	TCP0519-71-5201	TCP0569-71-5201	TCP0579-71-5201	TCP0589-71-5201	TCP0599-71-5201
			Gray#1	TCP0539-71-5401	TCP0549-71-5401	TCP1559-71-5401	TCP0529-71-5401	TCP0519-71-5401	TCP0569-71-5401	TCP0579-71-5401	TCP0589-71-5401	TCP0599-71-5401
			Gray#2	TCP0539-71-5601	TCP0549-71-5601	TCP1559-71-5601	TCP0529-71-5601	TCP0519-71-5601	TCP0569-71-5601	TCP0579-71-5601	TCP0589-71-5601	TCP0599-71-5601
	21	6.2	Black	TCP0536-71-5201	TCP0546-71-5201	TCP1556-71-5201	TCP0526-71-5201	TCP0516-71-5201	TCP0566-71-5201	TCP0576-71-5201	TCP0586-71-5201	TCP0596-71-5201
			Gray#1	TCP0536-71-5401	TCP0546-71-5401	TCP1556-71-5401	TCP0526-71-5401	TCP0516-71-5401	TCP0566-71-5401	TCP0576-71-5401	TCP0586-71-5401	TCP0596-71-5401
			Gray#2	TCP0536-71-5601	TCP0546-71-5601	TCP1556-71-5601	TCP0526-71-5601	TCP0516-71-5601	TCP0566-71-5601	TCP0576-71-5601	TCP0586-71-5601	TCP0596-71-5601
	21	7.2	Black	TCP0537-71-5201	TCP0547-71-5201	TCP1557-71-5201	TCP0527-71-5201	TCP0517-71-5201	TCP0567-71-5201	TCP0577-71-5201	TCP0587-71-5201	TCP0597-71-5201
			Gray#1	TCP0537-71-5401	TCP0547-71-5401	TCP1557-71-5401	TCP0527-71-5401	TCP0517-71-5401	TCP0567-71-5401	TCP0577-71-5401	TCP0587-71-5401	TCP0597-71-5401
			Gray#2	TCP0537-71-5601	TCP0547-71-5601	TCP1557-71-5601	TCP0527-71-5601	TCP0517-71-5601	TCP0567-71-5601	TCP0577-71-5601	TCP0587-71-5601	TCP0597-71-5601

TCP4100 Series

Soldering Connection Type



TCP4156-01-5101

DIN Standard No.		41524	—	41524	—	45322	45329	45326	—		
Number of Pins		3	4	5a	5b	6	7	8a	8b		
Insulating Material (UL Flame Class)	Bush		Color	Diagram	Diagram	Diagram	Diagram	Diagram	Diagram		
	Length (ℓ)	Inner Dia. (A)									
Body: 94V-0 Cap: 94V-2 Bush: —	16	4.2	Black	TCP4134-01-5101	TCP4144-01-5101	TCP4154-01-5101	TCP4124-01-5101	TCP4164-01-5101	TCP4174-01-5101	TCP4184-01-5101	TCP4194-01-5101
			Gray#1	TCP4134-01-5201	TCP4144-01-5201	TCP4154-01-5201	TCP4124-01-5201	TCP4164-01-5201	TCP4174-01-5201	TCP4184-01-5201	TCP4194-01-5201
			Gray#2	TCP4134-01-5301	TCP4144-01-5301	TCP4154-01-5301	TCP4124-01-5301	TCP4164-01-5301	TCP4174-01-5301	TCP4184-01-5301	TCP4194-01-5301
	16	5.2	Black	TCP4135-01-5101	TCP4145-01-5101	TCP4155-01-5101	TCP4125-01-5101	TCP4165-01-5101	TCP4175-01-5101	TCP4185-01-5101	TCP4195-01-5101
			Gray#1	TCP4135-01-5201	TCP4145-01-5201	TCP4155-01-5201	TCP4125-01-5201	TCP4165-01-5201	TCP4175-01-5201	TCP4185-01-5201	TCP4195-01-5201
			Gray#2	TCP4135-01-5301	TCP4145-01-5301	TCP4155-01-5301	TCP4125-01-5301	TCP4165-01-5301	TCP4175-01-5301	TCP4185-01-5301	TCP4195-01-5301
	21	6.2	Black	TCP4136-01-5101	TCP4146-01-5101	TCP4156-01-5101	TCP4126-01-5101	TCP4166-01-5101	TCP4176-01-5101	TCP4186-01-5101	TCP4196-01-5101
			Gray#1	TCP4136-01-5201	TCP4146-01-5201	TCP4156-01-5201	TCP4126-01-5201	TCP4166-01-5201	TCP4176-01-5201	TCP4186-01-5201	TCP4196-01-5201
			Gray#2	TCP4136-01-5301	TCP4146-01-5301	TCP4156-01-5301	TCP4126-01-5301	TCP4166-01-5301	TCP4176-01-5301	TCP4186-01-5301	TCP4196-01-5301
	21	7.2	Black	TCP4137-01-5101	TCP4147-01-5101	TCP4157-01-5101	TCP4127-01-5101	TCP4167-01-5101	TCP4177-01-5101	TCP4187-01-5101	TCP4197-01-5101
			Gray#1	TCP4137-01-5201	TCP4147-01-5201	TCP4157-01-5201	TCP4127-01-5201	TCP4167-01-5201	TCP4177-01-5201	TCP4187-01-5201	TCP4197-01-5201
			Gray#2	TCP4137-01-5301	TCP4147-01-5301	TCP4157-01-5301	TCP4127-01-5301	TCP4167-01-5301	TCP4177-01-5301	TCP4187-01-5301	TCP4197-01-5301