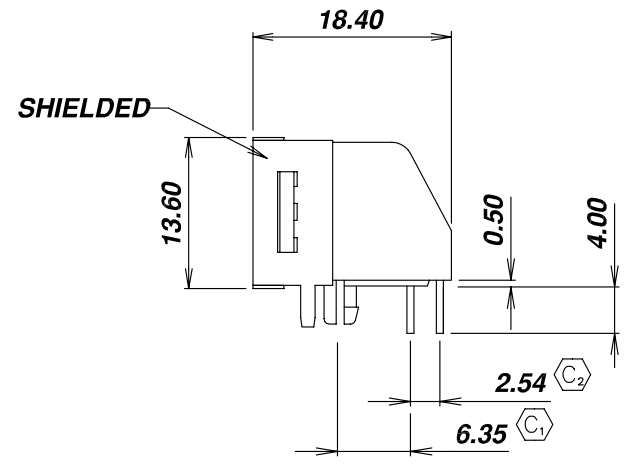
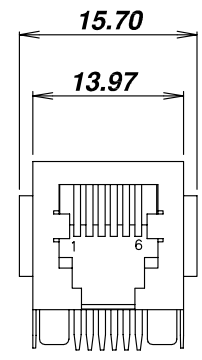


DO NOT SCALE FROM THIS PRINT

MODS-D-6PXC-X-S-TH-X



TYPE -D

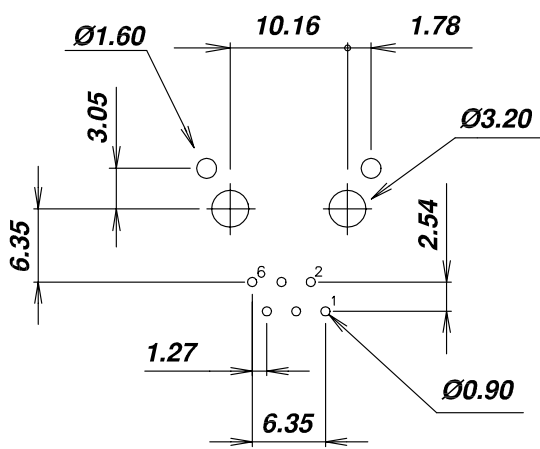
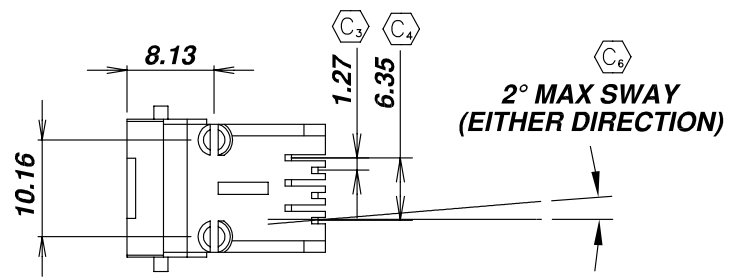
POSITIONS/CONTACTS
 -6P2C: 6 Pos/2 Con
 -6P4C: 6 Pos/4 Con
 -6P6C: 6 Pos/6 Con

PLATING
 -L: .000015" Au
 -S: .000030" Au
 -U: .000050" Au
 (<SEE NOTE 2)

OPTION
 -S: Shielded

RA TERMINATION
 -TH: Through Hole

EI OPTION
 -R: RoHS COMPLIANT



PCB LAYOUT

NOTES:

1. (C) REPRESENTS A CRITICAL DIMENSION
2. PLATING APPLIES TO MATING AREA, BRIGHT ACID TIN ON TAILS

<p>UNLESS OTHERWISE SPECIFIED, DIMENSIONS ARE IN MM. TOLERANCES ARE:</p> <p>DECIMALS ANGLES X.XX±0.25 ±3 X.XXX±0.13 X.XXXX±0.05</p>	<p>PROPRIETARY NOTE THIS DOCUMENT CONTAINS INFORMATION CONFIDENTIAL AND PROPRIETARY TO SAMTEC INC. AND SHALL NOT BE REPRODUCED OR TRANSFERRED TO OTHER DOCUMENTS OR DISCLOSED TO OTHERS OR USED FOR ANY PURPOSE OTHER THAN THAT FOR WHICH IT WAS OBTAINED WITHOUT THE EXPRESSED WRITTEN CONSENT OF SAMTEC INC.</p>	<p>samtec</p> <p>520 PARK EAST BLVD. NEW ALBANY, IN 47150 (812) 944-6733 P.O. BOX 1147 TWX: 810-540-4085</p>
<p>DO NOT SCALE DRAWING SHEET SCALE: 1:2</p> <p>INSULATOR: PBT 20% Glass Filled (UL 94V-0) Black CONTACT: Phosphor Bronze SHELL: Copper Alloy</p> <p>MAX FLASH ALLOWED: .051 MAX GATE VESTIGE: .051</p> <p>F:\DWG\EXISPROD\ASSEMBLY\10\MODJACKS\MODS</p>	<p>DESCRIPTION: RJ11 OR RJ12 Very Low Profile PCB Jack</p> <p>DWG. NO. MODS-D-6PXC-X-S-TH-X</p>	<p>BY: J. CUMMINGS 1/7/05 SHEET 1 OF 1</p>

CODE: 55322