

Environmental Weatherproof Optical Connectors

MAIN CHARACTERISTICS



The Amphenol FOC 16-3 is a bayonet waterproof (IP 65) 2 channels multimode optical connector.

This product uses the proven C16-3 shell, and the standard termini (\varnothing 2.5 mm) which is designed to provide a high reliability performance and economical cost for outside telecom applications.

Technical description

- Fibers : 50/125; 62,5/125
- Channels 2 (other arrangements contact us)
- Plug adapted to tight jacketed multiway cables
- Typical insertion loss :
 - Multimode fiber : 0,5 dB
- Cable retention by crimping > 100 daN
- Durability : 200 mating/unmating cycles (change for <0.2dB)
- Operating temperature : -40°C, +70°C
- Termini : zirconium PC ferrule (\varnothing 2.5 mm)
- Waterproof IP 65 when mated connectors
- Materials : polyamid 6.6
- Batonet locking mechanism
- Return springs assuring the physical contact of the optical faces

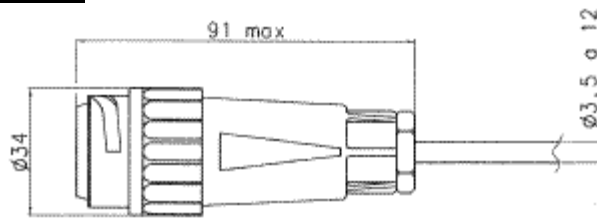
Applications

- Outside telecom network, Links Base Station
- UMTS, LMDS, FTTH
- Video
- CATV
- Railway
- Industrial
- Military
- Navy

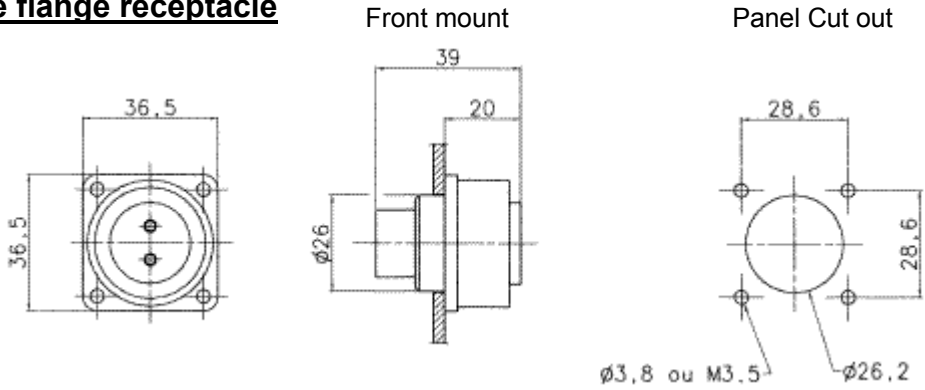
● ● ● ● ● ● ● ●

Line Drawings (dimensions in mm)

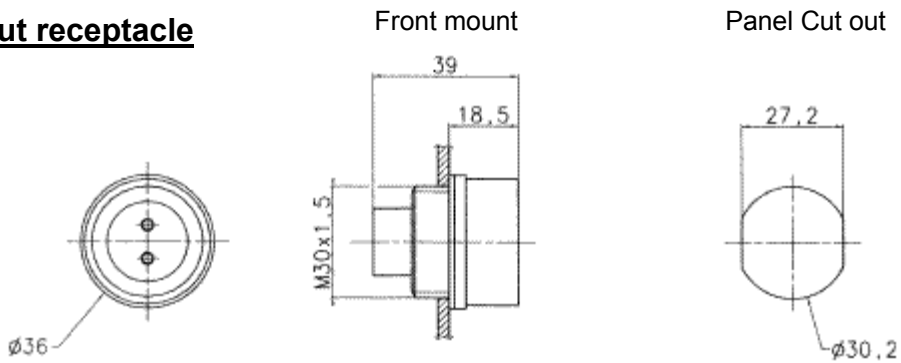
Integrated PG Plug



Square flange receptacle

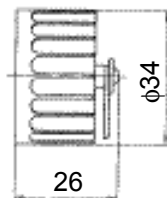


Jam nut receptacle

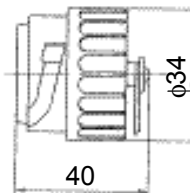


Protective caps

For plug



For receptacle





How to order :

Optical connectors

Series :	FOC16	06P	S2	01	2	P7	X058
Shell Type	Contact type						
06 : Straight plug	P : Pin						
00 : Square flange receptacle	S : Socket						
07 : Jam nut receptacle							
Backshell	PG clamp						
H0 : Heat-shrink right angle backshell w without PG clamp							
N0 : Without backshell (only for receptacle)							
S : Straight backshell for multi-fiber cable	2 : Standard plastic PG clamp						
	4 : Integrated plastic PG clamp						
Shell size							
Number of channels							
Type of ceramic ferrule	Ceramic ferrule inner diameter						
P : PC ferrule	7 : ϕ 127 μ m (only for multimode fiber)						
Cable diameter							
X016 : 1,6mm (only for receptacle)							
X020 : 2,0mm (only for receptacle)							
X058 : 5,8mm (only for plug)							
XXXX : cable defined by the customer							

Plug protective caps

Series :	FOC16	BM	01
Protective cap type			
BM : For plug			
BE : For square flange and jam nut receptacles			
Shell size			

Requested information to order a FOC 16-3 patchcord :

- Plug or receptacle* : define the P/N
- Type of fiber* : 50/125, 62,5/125 or 9/125
- Patchcord length* : ex : 10,5m
- Patchcord configuration* : plug/plug, plug/pigtail, plug/receptacle, receptacle/pigtail, receptacle/receptacle
- Drawing* : description of the product

Amphenol, your Worldwide Interconnect Partner !

50 manufacturing and assembly operations on 5 continents
Sales, marketing and distribution organizations in 60 countries

Amphenol Corporation is one of the world's leading producers of electronic and fiber optic connectors, cable and interconnect systems.

Our Company's focus is on producing connecting devices for the converging technologies of voice, video and data transmission, for wired and wireless internet and broadband networks, as well as industrial, automotive and aerospace industries.

Fiber Optic Operations

EUROPE

AMPHENOL EASTERN EUROPE

Sanatorium Strasse 19-16-1 - 1140 Vienna
Austria
Telephone: 43-19-85-15-11
Fax: 43-19-82-61-01

AMPHENOL AIR LB France

11 avenue Dubonnet
92407 Courbevoie Cedex
France
Telephone: 33-1-4905-3000
Fax: 33-1-4905-3010

AMPHENOL SOCAPEX MIL-AERO & INDUSTRIAL Business Unit

948 Promenade de l'Arve - B. P. 29
74311 Thyez Cedex
France
Telephone: 33-4-5089-2800
Fax: 33-4-5096-1941

AMPHENOL AIR LB GmbH

Am Kleinbahnhof 4 - 66740 Saarlouis
Germany
Telephone: 49-6831-981-00
Fax: 49-6831-981-030

AMPHENOL ITALIA

Via Barbaiana 5, 20020 Lainate - Milano
Italy
Telephone: 39-02-932-54-209
Fax: 39-02-932-54-444

AMPHENOL IBERICA

Edificio "Burgosol" Oficina nº 55,
C/Comunidad de Madrid, 35-bis - 28230 Las Rozas
Spain
Telephone: 34-91-640-7302
Fax: 34-91-640-7307

AMPHENOL SCANDINAVIA

Box 2047, Johannelsundsvägen 2
194 02 Upplands Väsby
Sweden
Telephone: 46-8-594-10440
Fax: 46-8-590-33800

AMPHENOL BENELUX

Hoofdveste 19 - 3992 DH Houten
The Netherlands
Telephone: 31-17-244-4903
Fax: 31-17-224-0254

AMPHENOL EUROPEAN SALES OPERATIONS

Hoofdveste 19 - 3992 DH Houten
The Netherlands
Telephone: 31-30-635-8000
Fax: 31-30-637-7034

AMPHENOL LIMITED WHITSTABLE

Thanet Way, Whitstable - Kent, CT5 3JF
United Kingdom
Telephone: 44-1227-773-200
Fax: 44-1227-276-571

AMPHENOL LIMITED NOTTINGHAM

Unit D1 Crossgate Drive, Queens Drive Industrial
Estate - NG2 1LW - Nottinghamham
United Kingdom
Telephone: 44-1159-866-200
Fax: 44-1159-866-212

AMERICAS

AMPHENOL AEROSPACE OPERATIONS AMPHENOL INDUSTRIAL OPERATIONS

40-60 Delaware Street
Sidney, New York 13838-1395
USA
Telephone: 1-607-563-5011
Fax: 1-607-563-5157

AMPHENOL BACKPLANE SYSTEMS

18 Celina Avenue
Nashua, New Hampshire 03063
USA
Telephone: 1-603-883-5100
Fax: 1-603-883-0171

AMPHENOL FIBER OPTIC PRODUCTS

1925A Ohio Street
Lisle, Illinois 60532
USA
Telephone: 630-960-1010
Fax: 630-810-5640

AMPHENOL CANADA CORPORATION

20 Melford Drive - Scarborough, Ontario M1B 2X6
Canada
Telephone: 1-416-291-4401
Fax: 1-416-292-0647

1870 boul. des Sources, Suite 204
Pointe Claire, Quebec H9R 5N4
Canada

Telephone: 1-514-630-7242 ext. 225
Fax: 1-514-630-7697

AMPHENOL AIR LB NORTH AMERICAN OPERATION

295 Kesmark, Dollard-des-Ormeaux Quebec H9B 3J1
Canada
Telephone: 1-514-421-2153
Fax: 1-514-421-3408

R.O.W.

AMPHENOL ARGENTINA

Av. Callao 930 2do piso Oficina B "Plaza" - C1023
AAP Buenos Aires
Argentina
Telephone: 54-11-4815-6886
Fax: 54-11-4814-5779

TFC SOUTH AMERICA BUENOS AIRES, ARGENTINA

Local Sales Office - Tucuman 540
Suite 28 "C"
C1049AAL - Buenos Aires
Argentina
Telephone: 54-11-4325-3471
Fax: 54-11-4327-1339

AMPHENOL AUSTRALIA PTY LIMITED

2 Fiveways Blvd., Keysborough
Melbourne, Victoria 3173
Australia
Telephone: 61-3-8796-8888
Fax: 61-3-8796-8801

AMPHENOL DO BRAZIL

Rua Diogo Moreira, 132-20° andar
CEP: 05423-010 - Sao Paulo-SP
Brazil
Telephone: 55-11-3815-1003
Fax: 55-11-3815-1629

CHINA (FOP)

3rd Floor, The 4th Ind. District of Ind. Headquarters -
Dong Keng Road,
Gong Ming Town
Shenzen 518132, Guangdong Province
PR China
Telephone: 86-755-717-7945
Fax: 86-755-717-7622

AMPHENOL EAST ASIA LIMITED

2201 Railway Plaza, 39 Chatham Road South
Tsmishtsul, Kowloon
Hong Kong
Telephone: 852-2699-2663
Fax: 852-2691-1774

AMPHENOL INDIA

105 Bhosari Industrial Area - Pune 411 026
India
Telephone: 91-20-712-0363/712-0463/712-0155
Fax: 91-20-712-0581

BAR TEC LTD

4 Hagavish St., PO Box 279 - Kfar Saba 44102
Israel
Telephone: 972-9-767-4097
Fax: 972-9-767-4324

AMPHENOL JAPAN MILAERO INDUSTRIAL

689-1, Aza Nogami, Iseochi Ritto-cho
Shiga 520-3044
Japan
Telephone: 81-77-553-8501
Fax: 81-77-551-2200

AMPHENOL DAESHIN

558 SongNea
Sosa, Bucheon, Kyunggi 422-040
Korea
Telephone: 82-32-610-3800
Fax: 82-32-673-2507

AMPHENOL MEXICO

Piso 2 - CP 11560
Mexico
Telephone: 52-5-254-7283
Fax: 52-5-531-9659

AMPHENOL SOUTH AFRICA

Sandown Village
East Court, 1 Gwen Lane Corner Maude Street
Sandton 2146
South Africa
Telephone: 27-11-305-9574
Fax: 27-11-305-9576

AMPHENOL TAIWAN CORPORATION

No. 116, Lane 956, Zhong Shan Road
Taoyuan City, R. O. C., 330
Taiwan
Telephone: 886-3-379-5677
Fax: 886-3-360-7259 Sales/CS/Eng./QA/MIS

GESTAS

34630, Besyoi - Londra Asfalli
Florya Is Merkezi
Kat. 2 - Sefakoy / Istanbul
Turkey
Telephone: 90-212-624-52-29
Fax: 90-212-599-30-68