

EPOXY TRANSISTORS

COMMERCIAL/ENTERTAINMENT APPLICATIONS

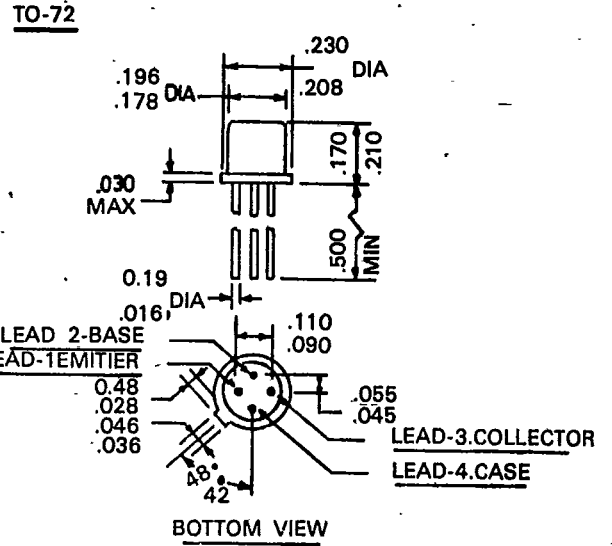
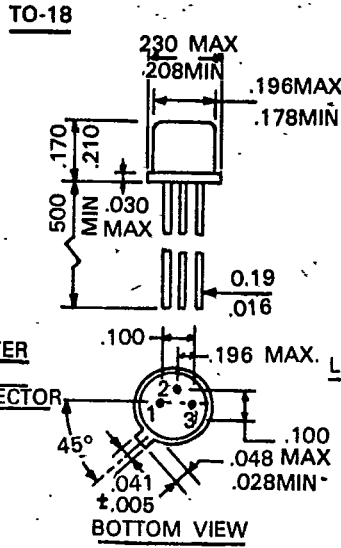
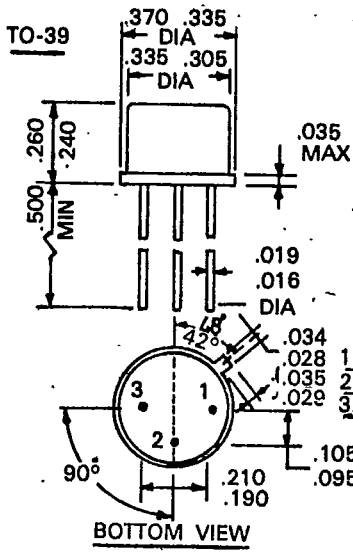
Device	VCEO Volts min	VCBO Volts min	VEBO Volts min	hFE at bias min/max	IC mA	VCE Volts	ICM mA max	PTA mW max	ICBO μA typ	VCE(sat) Volts ~typ	fT MHz typ	Gob pf typ	ts nsec typ	NF db typ	Package
--------	----------------------	----------------------	----------------------	------------------------	----------	--------------	------------------	------------------	-------------------	---------------------------	------------------	------------------	-------------------	-----------------	---------

NPN DRIVER/PRE-AMPLIFIER TRANSISTORS

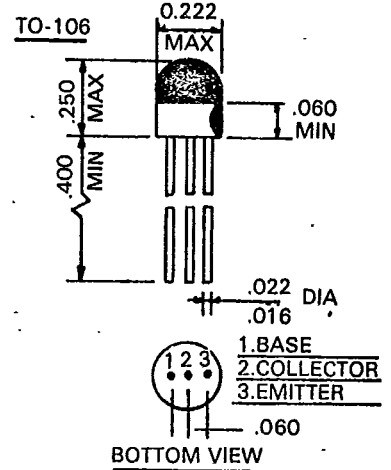
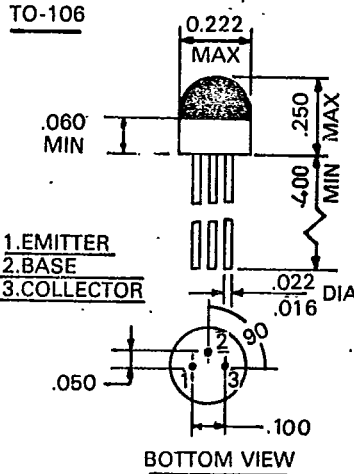
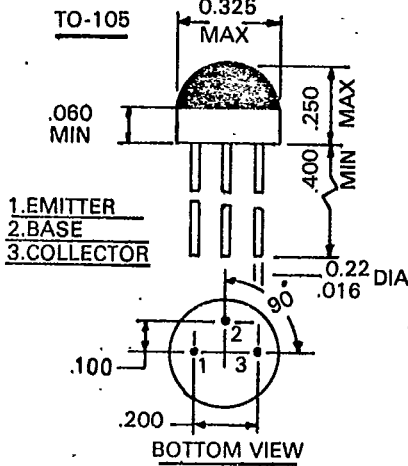
CIL 147	45	50	6	110/450	2	5	200	200	0.05		200				TO-106
CIL 147A	45	50	6	110/220	2	5	200	200	0.05		200				TO-106
CIL 147B	45	50	6	200/450	2	5	200	200	0.05		200				TO-106
CIL 148A	20	30	5	110/220	2	5	200	200	0.05		200				TO-106
CIL 148B	20	30	5	200/450	2	5	200	200	0.05		200				TO-106
CIL 148C	20	30	5	420/800	2	5	200	200	0.05		200				TO-106
CIL 149	20	30	5	200/800	2	5	200	200	0.05		200			4	TO-106
CIL 149B	20	30	5	200/450	2	5	200	200	0.05		200			4	TO-106
CIL 149C	20	30	5	420/800	2	5	200	200	0.05		200			4	TO-106
CIL 463A	20	20	4	100/200	2	5	50	100	0.10		60				TO-106
CIL 463B	20	20	4	200/450	2	5	50	100	0.10		60				TO-106
CIL 463C	20	20	4	400/800	2	5	50	100	0.10		60				TO-106
CIL 464A	15	15	4	100/220	2	5	75	200	0.10		200				TO-106
CIL 464B	15	15	4	200/450	2	5	75	200	0.10		200				TO-106
CIL 464C	15	15	4	400/800	2	5	75	200	0.10		200				TO-106
BC 546	65	80	6	110/450	2	5	200	500	0.015	.09	200				TO-92
BC 546A	65	80	6	110/220	2	5	200	500	0.015	.09	200				TO-92
BC 546B	65	80	6	200/450	2	5	200	500	0.015	.09	200				TO-92
BC 547	45	50	6	110/450	2	5	200	500	0.015	.09	200				TO-92
BC 547A	45	50	6	110/220	2	5	200	500	0.015	.09	200				TO-92
BC 547B	45	50	6	220/450	2	5	200	500	0.015	.09	200				TO-92
BC 548	30	30	5	110/800	2	5	200	500	0.015	.09	200				TO-92
BC 548A	30	30	5	110/220	2	5	200	500	0.015	.09	200				TO-92
BC 548B	30	30	5	200/450	2	5	200	500	0.015	.09	200				TO-92
BC 548C	30	30	5	420/800	2	5	200	500	0.015	.09	200				TO-92
BC 549	30	30	5	200/800	2	5	200	500	0.015	.09	200			4	TO-92
BC 549B	30	30	5	200/450	2	5	200	500	0.015	.09	200			4	TO-92
BC 549C	30	30	5	420/800	2	5	200	500	0.015	.09	200			4	TO-92
BC 550	45	50	5	200/800	2	5	200	500	0.015	.09	200			3	TO-92
BC 550B	45	50	5	200/450	2	5	200	500	0.015	.09	200			3	TO-92
BC 550C	45	50	5	420/800	2	5	200	500	0.015	.09	200			3	TO-92
BC 337	45	50	5	67/600	100	1	1200	625	0.1	0.7	200	5			TO-92
BC 337-10	45	50	5	67/150	100	1	1200	625	0.1	0.7	200	5			TO-92
BC 337-16	45	50	5	100/250	100	1	1200	625	0.1	0.7	200	5			TO-92
BC 337-25	45	50	5	160/400	100	1	1200	625	0.1	0.7	200	5			TO-92
BC 337-40	45	50	5	250/600	100	1	1200	625	0.1	0.7	200	5			TO-92

ALL DIMENSIONS IN INCHES

PACKAGE OUTLINES



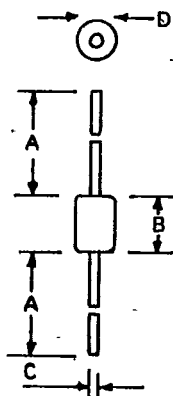
For transistor BF 167, 173 in TO-72 Package Base & Emitter leads get interchanged.



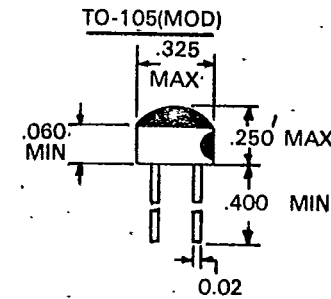
Note; For HF. transistor TO-106 Package 1. Base 2. Emitter and 3. Collector

TYPICAL DIMENSIONS

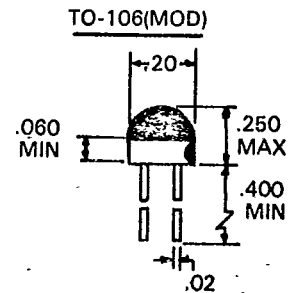
Dim	Package			
	DO-7	DO-35	DO-41	DO-34
A	1.100	1.100	1.100	1.100
B	0.230	0.140	0.150	0.104
C	0.020	0.020	0.032	0.020
D	0.096	0.070	0.94	0.056



LEAD ADJACENT TO DOT OR BAND-IS CATHODE

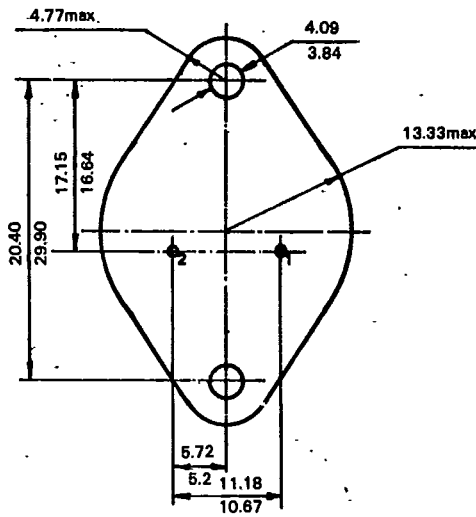
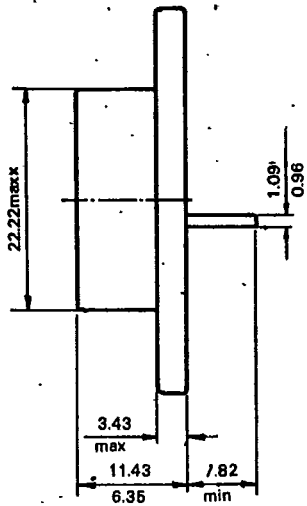


LEAD ADJACENT TO DOT IS CATHODE



LEAD ADJACENT TO DOT-IS CATHODE

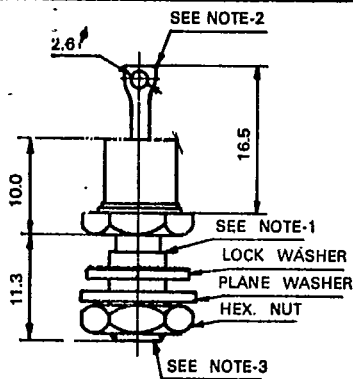
PACKAGE OUTLINES



TO-204AA

Pin Configuration: 1:Base
2:Emitter
Body : Collector

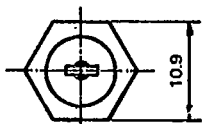
ALL DIMENSIONS IN M.M.



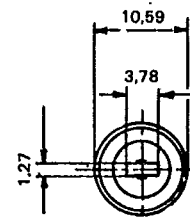
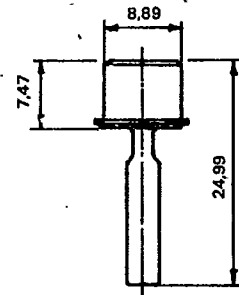
NOTES:

1. Threads to extend to within 2—1/2 threads of seating plane.
2. Angular orientation undefined.
3. lo-32 UNF-2A maximum pitch dia shall be (1687" 4.29 mm)

(All dimensions in mm)

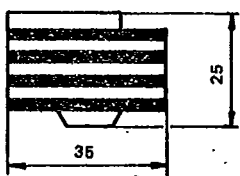
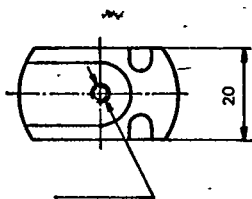


DO-4

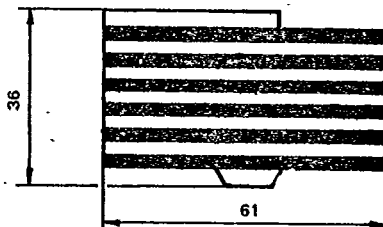
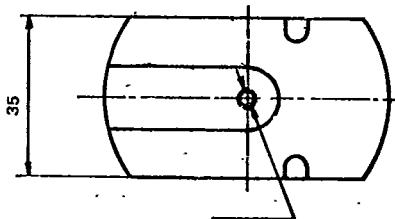


DO-21

HEAT SINK:



K 6 (3,6 AMP. DIODES)



K 12 (12 AMP. DIODES)

PACKAGE OUTLINES

FOR TO-92 AND TO 237 PACKAGE PIN CONFIGURATION FROM LEFT TO RIGHT IS COLLECTOR-BASE-EMITTER, KEEPING FLAT FACE IN FRONT AND LEADS POINTING DOWNWARDS.

