

Inductors

High Current, Surface Mount



FEATURES

- High energy storage.
- Low resistance.
- Tape and reel packaging for automatic handling.

ELECTRICAL SPECIFICATIONS

Inductance Range: 1.0 μ H to 68 μ H.

Inductance Tolerance: 20%, 10%

Operating Temperature: - 25°C to + 105°C.

Storage Temperature: - 25°C to 85°C.

Resistance to Solder Heat: 260°C for 10 seconds.

MATERIALS

Core: Ferrite.

Wire: Enamelled copper wire.

Terminal: Ag + Ni + Sn/Pb.

STANDARD ELECTRICAL SPECIFICATIONS

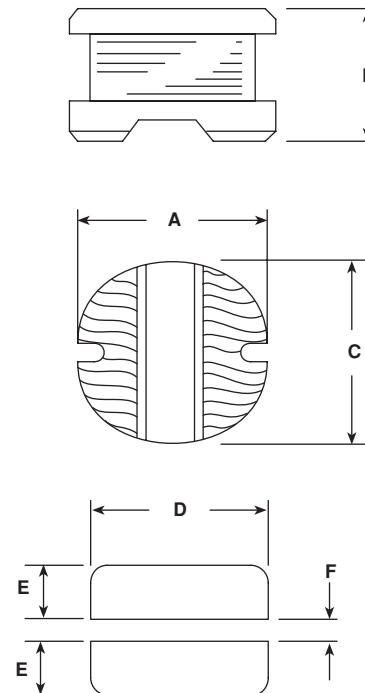
INDUCTANCE (μ H)	TEST FREQUENCY L	DCR MAXIMUM (Ohms)	RATED DC CURRENT* (A)
1.0	7.96MHz	0.033	3.80
1.4	7.96MHz	0.038	3.30
1.8	7.96MHz	0.042	2.91
2.2	7.96MHz	0.047	2.60
2.7	7.96MHz	0.052	2.43
3.3	7.96MHz	0.058	2.15
3.9	7.96MHz	0.076	1.98
4.7	7.96MHz	0.094	1.70
5.6	7.96MHz	0.101	1.60
6.8	7.96MHz	0.117	1.41
8.2	7.96MHz	0.132	1.26
10.0	2.52MHz	0.182	1.15
12.0	2.52MHz	0.210	1.05
15.0	2.52MHz	0.235	0.92
18.0	2.52MHz	0.338	0.84
22.0	2.52MHz	0.378	0.76
27.0	2.52MHz	0.522	0.71
33.0	2.52MHz	0.540	0.64
39.0	2.52MHz	0.587	0.59
47.0	2.52MHz	0.844	0.54
56.0	2.52MHz	0.937	0.50
68.0	2.52MHz	1.117	0.46

*Rated Current: Value obtained when current flows and the temperature has risen 40°C or when DC current flows and the initial value of inductance has fallen by 10%, whichever is smaller.

ORDERING INFORMATION

IDCP-1813 MODEL	10 μ H INDUCTANCE VALUE	\pm 20% INDUCTANCE TOLERANCE
--------------------	-----------------------------------	--------------------------------------

DIMENSIONS in inches [millimeters]



A	B	C
0.178 \pm 0.01 [4.5 \pm 0.3]	0.126 \pm 0.01 [3.2 \pm 0.3]	0.158 \pm 0.01 [4.0 \pm 0.3]
D	E	F
0.178 [4.5]	0.069 [1.75]	0.059 [1.5]