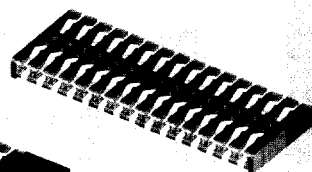




OPH-110-02-S-D-E-AT



OPH-115-02-L-D

OPH-105-02-L-D

ONE-PIECE INTERFACE OPH SERIES

SPECIFICATIONS

Materials:

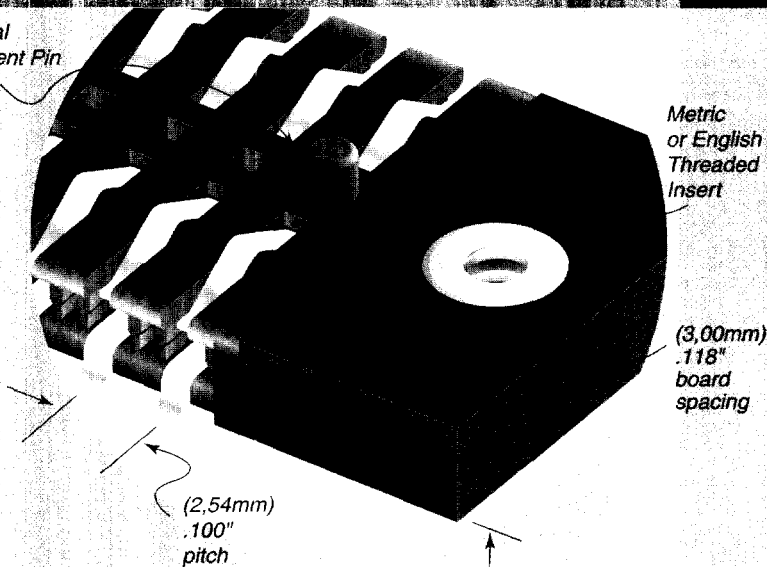
Insulator Material:
Black Liquid Crystal Polymer
Contact Material:
Phosphor Bronze
Current Rating:
Testing Now!
Operating Temp Range:
-65°C to +125°C
Plating:
Au or Sn over
50µ" (1,27µm) Ni

Processing:

Max Processing Temp:
230°C for 60 seconds
SMT Lead Coplanarity:
(0,10mm) .004" max
Suggested PCB Layouts
Your specific layout may vary

Note: Some sizes, styles and options are non-standard, non-returnable.

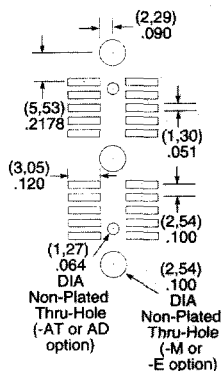
Optional Alignment Pin



Metric or English Threaded Insert

(3,00mm) .118" board spacing

(2,54mm) .100" pitch



05, 10, 15, 20, 25, 30, 35, 40

-L
= 10µ" (0,25µm)
Gold on contact
100µ" (2,54µm)
Tin on tail

-S
= 30µ" (0,76µm)
Gold on contact
100µ" (2,54µm)
Tin on tail

10, 20 & 30 positions only

-E
= #2-56 x 1/16" screw thread

-M
= 2,00mm x 0,40mm screw thread

Leave blank for no Alignment Pin

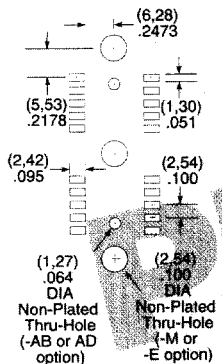
-AT
= Alignment Pin Top Side

-AB
= Alignment Pin Bottom Side

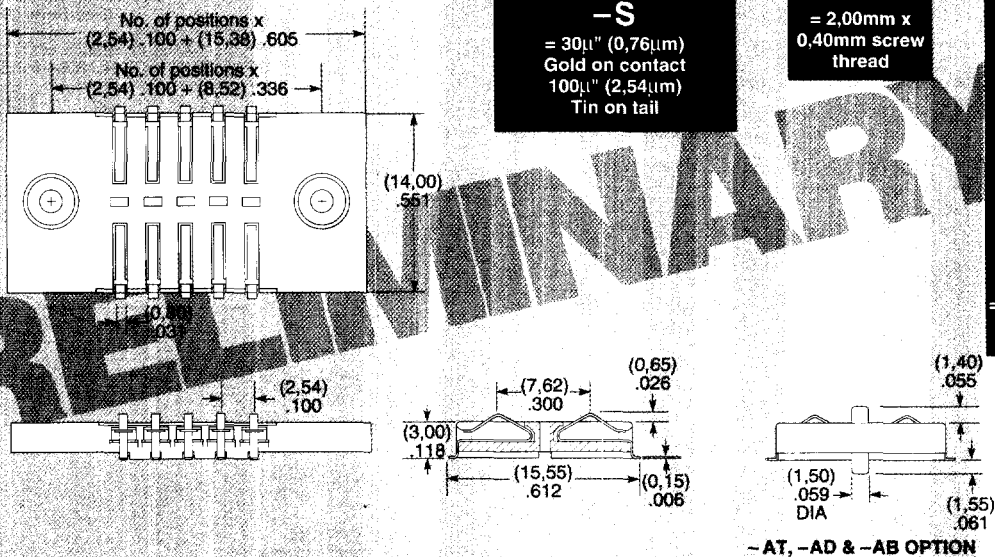
-AD
= Alignment Pin Dual Side

-TR
= Tape & Reel Packaging

COMPRESSION BOARD PADS (Gold Plated)



SOLDER BOARD PADS (Tin or Tin/Lead Plated)



Due to technical progress, all designs, specifications and components are subject to change without notice.