



CYPRESS
SEMICONDUCTOR

CY7C341
CY7C341B

192-Macrocell MAX® EPLD

Features

- 192 macrocells in 12 LABs
- 8 dedicated inputs, 64 bidirectional I/O pins
- Programmable interconnect array
- 384 expander product terms
- Available in 84-pin HLCC, PLCC, and PGA packages

Functional Description

The CY7C341 and CY7C341B are Erasable Programmable Logic Devices (EPLD) in which CMOS EPROM cells are used to configure logic functions within the device. The MAX architecture is 100% user configurable allowing the devices to accommodate a variety of independent logic functions.

The 192 macrocells in the CY7C341 and CY7C341B are divided into 12 Logic Array Blocks (LABs), 16 per LAB. There are 384 expander product terms, 32 per LAB, to be used and shared by the macrocells within each LAB. Each LAB is interconnected with a programmable interconnect array, allowing all signals to be routed throughout the chip.

The speed and density of the CY7C341 and CY7C341B allows them to be used in a wide range of applications, from replacement of large amounts of 7400 series TTL logic, to complex controllers and multifunction chips. With greater than 37 times the functionality of 20-pin PLDs, the CY7C341 and CY7C341B allows the replacement of over 75 TTL devices. By replacing large amounts of logic, the CY7C341 and CY7C341B reduces board space, part count, and increases system reliability.

Each LAB contains 16 macrocells. In LABs A, F, G, and L, 8 macrocells are connected to I/O pins and 8 are buried, while for LABs B, C, D, E, H, I, J, and K, 4 macrocells are connected to I/O pins and 12 are buried. Moreover, in addition to the I/O and buried macrocells, there are 32 single product term logic expanders in each LAB. Their use greatly enhances the capability of the macrocells without increasing the number of product terms in each macrocell.

Selection Guide

		7C341B-15	7C341B-20	7C341-25	7C341B-25	7C341-30	7C341-35	7C341-40
Maximum Access Time (ns)		15	20	25	25	30	35	40
Maximum Operating Current (mA)	Commercial	380	380	380		380	380	
	Industrial	480	480	480		480	480	
	Military		480		480	480	480	480
Maximum Standby Current (mA)	Commercial	360	360	360		360	360	
	Industrial	435	435	435		435	435	
	Military		435		435	435	435	435

Shaded areas contain preliminary information.

MAX is a registered trademark of Altera Corporation. Warp is a trademark of Cypress Semiconductor Corporation.

Logic Array Blocks

There are 12 logic array blocks in the CY7C341 and CY7C341B. Each LAB consists of a macrocell array containing 16 macrocells, an expander product term array containing 32 expanders, and an I/O block. The LAB is fed by the programmable interconnect array and the dedicated input bus. All macrocell feedbacks go to the macrocell array, the expander array, and the programmable interconnect array. Expanders feed themselves and the macrocell array. All I/O feedbacks go to the programmable interconnect array so that they may be accessed by macrocells in other LABs as well as the macrocells in the LAB in which they are situated.

Externally, the CY7C341 and CY7C341B provide 8 dedicated inputs, one of which may be used as a system clock. There are 64 I/O pins that may be individually configured for input, output, or bidirectional data flow.

Programmable Interconnect Array

The Programmable Interconnect Array (PIA) solves interconnect limitations by routing only the signals needed by each logic array block. The inputs to the PIA are the outputs of every macrocell within the device and the I/O pin feedback of every pin on the device.

Unlike masked or programmable gate arrays, which induce variable delay dependent on routing, the PIA has a fixed delay. This eliminates undesired skews among logic signals, which may cause glitches in internal or external logic. The fixed delay, regardless of programmable interconnect array configuration, simplifies design by assuring that internal signal skews or races are avoided. The result is ease of design implementation, often in a single pass, without the multiple internal logic placement and routing iterations required for a programmable gate array to achieve design timing objectives.

Timing Delays

Timing delays within the CY7C341 and CY7C341B may be easily determined us-

ing Warp software or by the model shown in Figure 1. The CY7C341 and CY7C341B have fixed internal delays, allowing the user to determine the worst case timing delays for any design. For complete timing information, the Warp software provides a timing simulator.

Design Recommendations

For proper operation, input and output pins must be constrained to the range $GND \leq (V_{IN} \text{ or } V_{OUT}) \leq V_{CC}$. Unused inputs must always be tied to an appropriate logic level (either V_{CC} or GND). Each set of V_{CC} and GND pins must be connected together directly at the device. Power supply decoupling capacitors of at least 0.2 μF must be connected between V_{CC} and GND. For the most effective decoupling, each V_{CC} pin should be separately decoupled to GND, directly at the device. Decoupling capacitors should have good frequency response, such as monolithic ceramic types.

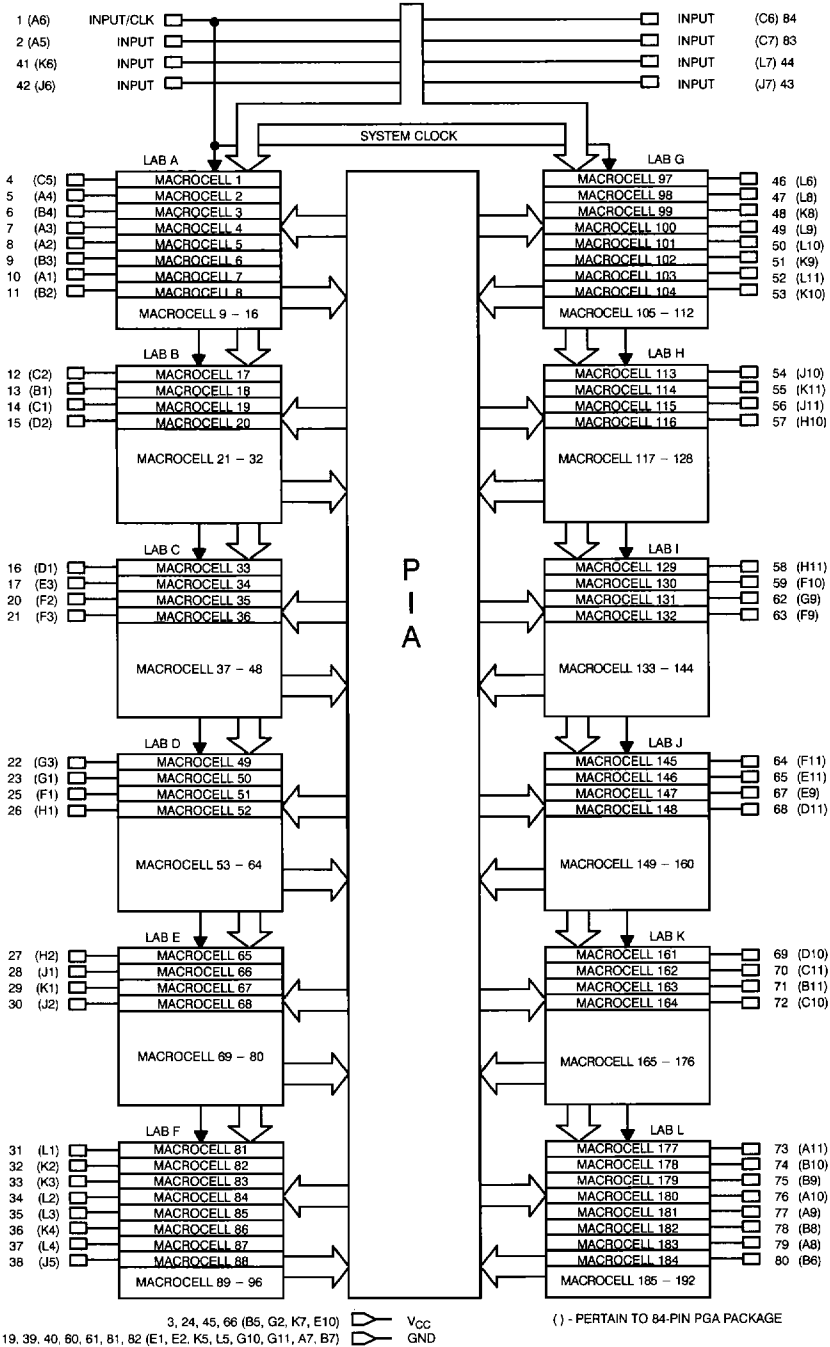
Design Security

The CY7C341 and CY7C341B contain a programmable design security feature that controls the access to the data programmed into the device. If this programmable feature is used, a proprietary design implemented in the device cannot be copied or retrieved. This enables a high level of design control to be obtained since programmed data within EPROM cells is invisible. The bit that controls this function, along with all other program data, may be reset simply by erasing the device.

The CY7C341 and CY7C341B is fully functionally tested and guaranteed through complete testing of each programmable EPROM bit and all internal logic elements thus ensuring 100% programming yield.

The erasable nature of these devices allows test programs to be used and erased during early stages of the production flow. The devices also contain on-board logic test circuitry to allow verification of function and AC specification once encapsulated in non-windowed packages.

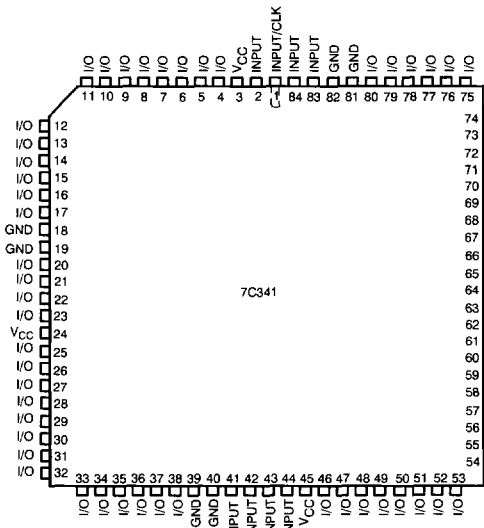
Logic Block Diagram



4
PLDs

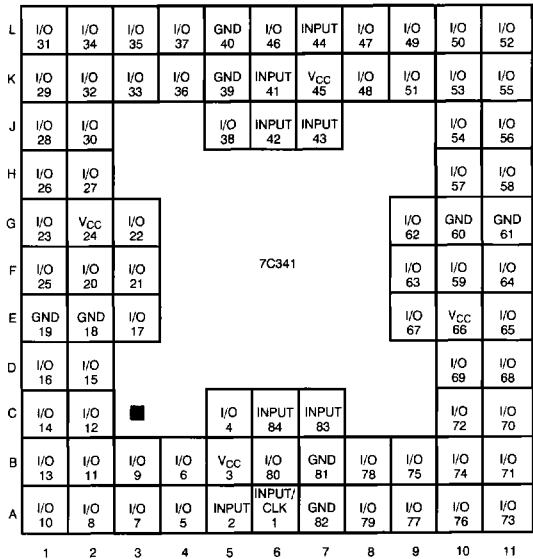
Pin Configurations

PLCC/HLCC
Top View

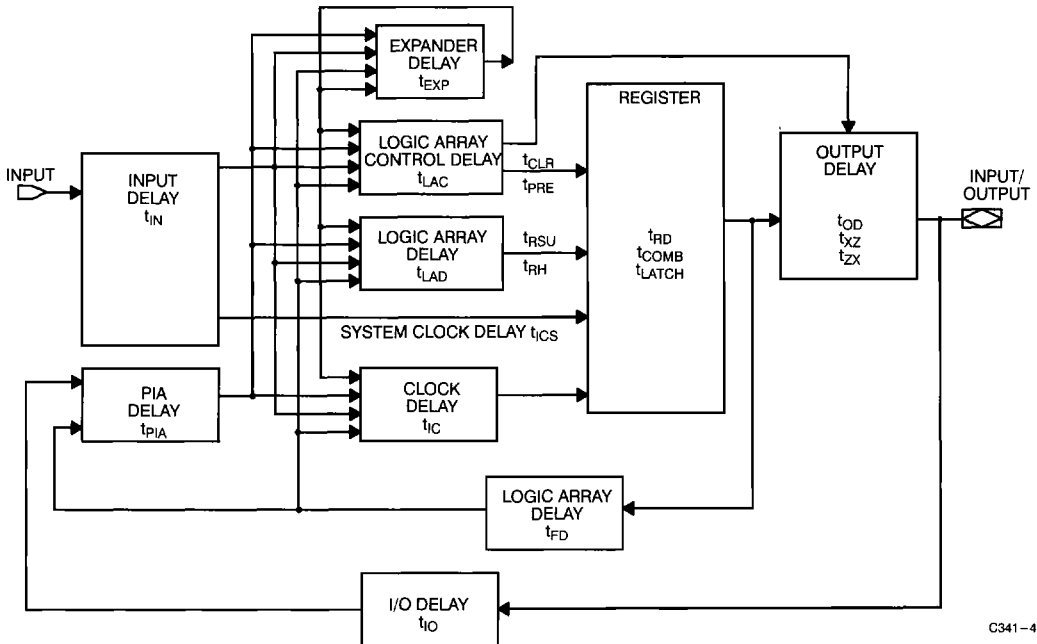


C341-2

PGA
Bottom View



C341-3



C341-4

Figure 1. CY7C341 Internal Timing Model

Maximum Ratings

(Above which the useful life may be impaired. For user guidelines, not tested.)

Storage Temperature	-65°C to +150°C
Ambient Temperature with Power Applied	0°C to +70°C
Maximum Junction Temperature (Under Bias)	150°C
Supply Voltage to Ground Potential	-2.0V to +7.0V
Maximum Power Dissipation	2500 mW
DC V _{CC} or GND Current	500 mA
DC Output Current, per Pin	-25 mA to +25 mA

DC Input Voltage ^[1]	-3.0V to +7.0V
DC Program Voltage	13.5V
Static Discharge Voltage (per MIL-STD-883, method 3015)	> 1100V

Operating Range

Range	Ambient Temperature	V _{CC}
Commercial	0°C to +70°C	5V ± 5%
Industrial	-40°C to +85°C	5V ± 10%
Military	-55°C to +125°C (Case)	5V ± 10%

Electrical Characteristics Over the Operating Range^[2]

Parameters	Description	Test Conditions	Min.	Max.	Units
V _{OH}	Output HIGH Voltage	V _{CC} = Min., I _{OH} = -4.0 mA	2.4		V
V _{OL}	Output LOW Voltage	V _{CC} = Min., I _{OL} = 8 mA		0.45	V
V _{IH}	Input HIGH Level		2.2	V _{CC} +0.3	V
V _{IL}	Input LOW Level		-0.3	0.8	V
I _{IX}	Input Current	GND ≤ V _{IN} ≤ V _{CC}	-10	+10	μA
I _{OZ}	Output Leakage Current	V _O = V _{CC} or GND	-40	+40	μA
I _{OS}	Output Short Circuit Current	V _{CC} = Max., V _{OUT} = GND ^[3,4]	-30	-90	mA
I _{CC1}	Power Supply Current (Standby)	V _I = V _{CC} or GND (No Load)	Com'l	360	mA
			Mil/Ind	435	mA
I _{CC2}	Power Supply Current ^[5]	V _I = V _{CC} or GND (No Load) f = 1.0 MHz ^[3,5]	Com'l	380	mA
			Mil/Ind	480	mA
t _R (Recommended)	Input Rise Time			100	ns
t _F (Recommended)	Input Fall Time			100	ns

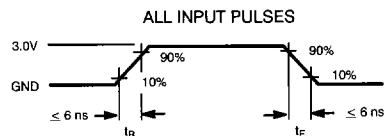
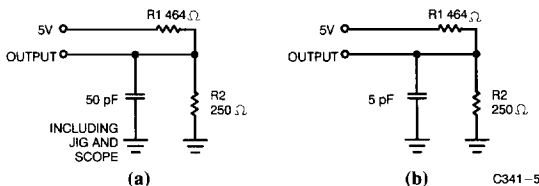
Capacitance^[6]

Parameters	Description	Test Conditions	Max.	Units
C _{IN}	Input Capacitance	T _A = 25°C, f = 1 MHz, V _{CC} = 5.0V	10	pF
C _{OUT}	Output Capacitance		20	pF

Notes:

- Minimum DC input is -0.3V. During transitions, the inputs may undershoot to -2.0V for periods less than 20 ns.
- Typical values are for T_A = 25°C and V_{CC} = 5V.
- Guaranteed but not 100% tested.
- Not more than one output should be tested at a time. Duration of the short circuit should not be more than one second. V_{OUT} = 0.5V has been chosen to avoid test problems caused by tester ground degradation.
- This parameter is measured with device programmed as a 16-bit counter in each LAB and is tested periodically by sampling production material.
- Part (a) in AC Test Load and Waveforms is used for all parameters except t_{ER} and t_{XZ}, which is used for part (b) in AC Test Load and Waveforms. All external timing parameters are measured referenced to external pins of the device.

AC Test Loads and Waveforms



Equivalent to: THEVENIN EQUIVALENT (commercial/military)
 OUTPUT ——— 163Ω ——— 1.75V

External Synchronous Switching Characteristics Over the Operating Range^[6]

Parameter	Description	7C341B-15		7C341B-20		7C341-25		7C341B-25		Unit
		Min.	Max.	Min.	Max.	Min.	Max.	Min.	Max.	
t _{PD1}	Dedicated Input to Combinatorial Output Delay ^[7]	Com'l		15		20		25		ns
		Mil				20			25	
t _{PD2}	I/O Input to Combinatorial Output Delay ^[8]	Com'l		25		33		40		ns
		Mil				33			40	
t _{PD3}	Dedicated Input to Combinatorial Output Delay with Expander Delay ^[9]	Com'l		23		30		37		ns
		Mil				30			37	
t _{PD4}	I/O Input to Combinatorial Output Delay with Expander Delay ^[3, 10]	Com'l		33		43		52		ns
		Mil				43			52	
t _{EA}	Input to Output Enable Delay ^[3, 7]	Com'l		15		20		25		ns
		Mil				20			25	
t _{ER}	Input to Output Disable Delay ^[6]	Com'l		15		20		25		ns
		Mil				20			25	
t _{CO1}	Synchronous Clock Input to Output Delay	Com'l		7		8		14		ns
		Mil				8			14	
t _{CO2}	Synchronous Clock to Local Feedback to Combinatorial Output ^[3, 11]	Com'l		17		20		30		ns
		Mil				20			30	
t _{S1}	Dedicated Input or Feedback Set-up Time to Synchronous Clock Output ^[6, 12]	Com'l	10		12		15			ns
		Mil			12			15		
t _{S2}	I/O Input Set-up Time to Synchronous Clock Input ^[8]	Com'l	20		24		30			ns
		Mil			24			30		
t _H	Input Hold Time from Synchronous Clock Input ^[6]	Com'l	0		0		0			ns
		Mil			0			0		
t _{WH}	Synchronous Clock Input High Time	Com'l	5		7		8			ns
		Mil			7			8		
t _{WL}	Synchronous Clock Input Low Time	Com'l	5		7		8			ns
		Mil			7			8		
t _{RW}	Asynchronous Clear Width ^[3, 6]	Com'l	16		22		25			ns
		Mil			22			25		
t _{RR}	Asynchronous Clear Recovery ^[3, 7]	Com'l	16		22		25			ns
		Mil			22			25		
t _{RO}	Asynchronous Clear to Registered Output Delay ^[5]	Com'l		15		20		25		ns
		Mil				20			25	
t _{PW}	Asynchronous Preset Width ^[3, 6]	Com'l	15		20		25			ns
		Mil			20			25		
t _{PR}	Asynchronous Preset Recovery Time ^[3, 6]	Com'l	15		20		25			ns
		Mil			20			25		

Shaded areas contain preliminary information.

External Synchronous Switching Characteristics Over the Operating Range^[6](continued)

Parameter	Description		7C341B-15		7C341B-20		7C341-25		7C341B-25		Unit
			Min.	Max.	Min.	Max.	Min.	Max.	Min.	Max.	
t _{PO}	Asynchronous Preset to Registered Output Delay ^[6]	Com'l		15		20		25			ns
		Mil				20				25	
t _{CF}	Synchronous Clock to Local Feedback Input ^[3, 13]	Com'l		3		3		3			ns
		Mil				3				3	
t _p	External Synchronous Clock Period (1/f _{MAX3}) ^[3]	Com'l	12		14		16				ns
		Mil			14				16		
f _{MAX1}	External Feedback Maximum Frequency (1/(t _{CO1} + t _{S1})) ^[3, 14]	Com'l	58.8		50		34.5				MHz
		Mil			50				34.5		
f _{MAX2}	Internal Local Feedback Maximum Frequency, lesser of (1/(t _{S1} + t _{CF})) or (1/t _{CO1}) ^[3, 15]	Com'l	76.9		66.6		55.5				MHz
		Mil			66.6				55.5		
f _{MAX3}	Data Path Maximum Frequency, least of 1/(t _{WL} + t _{WH}), 1/(t _{S1} + t _{TH}), or (1/t _{CO1}) ^[3, 16]	Com'l	100		71.4		62.5				MHz
		Mil			71.4				62.5		
f _{MAX4}	Maximum Register Toggle Frequency (1/(t _{WL} + t _{WH})) ^[3, 17]	Com'l	100		71.4		62.5				MHz
		Mil			71.4				62.5		
t _{OH}	Output Data Stable Time from Synchronous Clock Input ^[3, 18]	Com'l	3		3		3				ns
		Mil			3				3		

Shaded areas contain preliminary information.

Notes:

- This specification is a measure of the delay from input signal applied to a dedicated input to combinatorial output on any output pin. This delay assumes no expander terms are used to form the logic function. When this note is applied to any parameter specification it indicates that the signal (data, asynchronous clock, asynchronous clear, and/or asynchronous preset) is applied to a dedicated input only and no signal path (either clock or data) employs expander logic. If an input signal is applied to an I/O pin an additional delay equal to t_{PIA} should be added to the comparable delay for a dedicated input. If expanders are used, add the maximum expander delay t_{EXP} to the overall delay for the comparable delay without expanders.
- This specification is a measure of the delay from input signal applied to an I/O macrocell pin to any output. This delay assumes no expander terms are used to form the logic function.
- This specification is a measure of the delay from an input signal applied to a dedicated input to combinatorial output on any output pin. This delay assumes expander terms are used to form the logic functions and includes the worst-case expander logic delay for one pass through the expander logic.
- This specification is a measure of the delay from an input signal applied to an I/O macrocell pin to any output. This delay assumes expander terms are used to form the logic function and includes the worst-case expander logic delay for one pass through the expander logic. This parameter is tested periodically by sampling production material.
- This specification is a measure of the delay from synchronous register clock to internal feedback of the register output signal to the input of the LAB logic array and then to a combinatorial output. This delay assumes no expanders are used, register is synchronously clocked and all feedback is within the same LAB. This parameter is tested periodically by sampling production material.
- If data is applied to an I/O input for capture by a macrocell register, the I/O pin set-up time minimums should be observed. These parameters are t_{S2} for synchronous operation and t_{AS2} for asynchronous operation.
- This specification is a measure of the delay associated with the internal register feedback path. This is the delay from synchronous clock to LAB logic array input. This delay plus the register set-up time, t_{S1}, is the minimum internal period for an internal synchronous state machine configuration. This delay is for feedback within the same LAB. This parameter is tested periodically by sampling production material.
- This specification indicates the guaranteed maximum frequency, in synchronous mode, at which a state machine configuration with external feedback can operate. It is assumed that all data inputs and feedback signals are applied to dedicated inputs. All feedback is assumed to be local originating within the same LAB.
- This specification indicates the guaranteed maximum frequency at which a state machine, with internal-only feedback, can operate. If register output states must also control external points, this frequency can still be observed as long as this frequency is less than 1/t_{CO1}.
- This frequency indicates the maximum frequency at which the device may operate in data path mode (dedicated input pin to output pin). This assumes data input signals are applied to dedicated input pins and no expander logic is used. If any of the data inputs are I/O pins, t_{S2} is the appropriate t_S for calculation.
- This specification indicates the guaranteed maximum frequency, in synchronous mode, at which an individual output or buried register can be cycle by a clock signal applied to the dedicated clock input pin.
- This parameter indicates the minimum time after a synchronous register clock input that the previous register output data is maintained on the output pin.

External Synchronous Switching Characteristics Over the Operating Range^[6] (continued)

Parameter	Description	7C341-30		7C341-35		7C341-40		Unit
		Min.	Max.	Min.	Max.	Min.	Max.	
t _{PD1}	Dedicated Input to Combinatorial Output Delay ^[7]	Com'l		30		35		ns
		Mil		30		35	40	
t _{PD2}	I/O Input to Combinatorial Output Delay ^[8]	Com'l		45		55		ns
		Mil		45		55	65	
t _{PD3}	Dedicated Input to Combinatorial Output Delay with Expander Delay ^[9]	Com'l		44		55		ns
		Mil		44		55	65	
t _{PD4}	I/O Input to Combinatorial Output Delay with Expander Delay ^[3, 10]	Com'l		59		75		ns
		Mil		59		75	90	
t _{EA}	Input to Output Enable Delay ^[3, 7]	Com'l		30		35		ns
		Mil		30		35	40	
t _{ER}	Input to Output Disable Delay ^[6]	Com'l		30		35		ns
		Mil		30		35	40	
t _{CO1}	Synchronous Clock Input to Output Delay	Com'l		16		20		ns
		Mil		16		20	23	
t _{CO2}	Synchronous Clock to Local Feedback to Combinatorial Output ^[3, 11]	Com'l		35		42		ns
		Mil		35		42	48	
t _{S1}	Dedicated Input or Feedback Set-up Time to Synchronous Clock Output ^[6, 12]	Com'l	20		25			ns
		Mil	20		25		28	
t _{S2}	I/O Input Set-up Time to Synchronous Clock Input ^[8]	Com'l	39		45			ns
		Mil	39		45		52	
t _H	Input Hold Time from Synchronous Clock Input ^[6]	Com'l	0		0			ns
		Mil	0		0		0	
t _{WH}	Synchronous Clock Input High Time	Com'l	10		12.5			ns
		Mil	10		12.5		15	
t _{WL}	Synchronous Clock Input Low Time	Com'l	10		12.5			ns
		Mil	10		12.5		15	
t _{RW}	Asynchronous Clear Width ^[3, 6]	Com'l	30		35			ns
		Mil	30		35		40	
t _{RR}	Asynchronous Clear Recovery ^[3, 7]	Com'l	30		35			ns
		Mil	30		35		40	
t _{RO}	Asynchronous Clear to Registered Output Delay ^[5]	Com'l		30		35		ns
		Mil		30		35	40	
t _{PW}	Asynchronous Preset Width ^[3, 6]	Com'l	30		35			ns
		Mil	30		35		40	
t _{PR}	Asynchronous Preset Recovery Time ^[3, 6]	Com'l	30		35			ns
		Mil	30		35		40	

External Synchronous Switching Characteristics Over the Operating Range^[6](continued)

Parameter	Description		7C341-30		7C341-35		7C341-40		Unit
			Min.	Max.	Min.	Max.	Min.	Max.	
t _{PO}	Asynchronous Preset to Registered Output Delay ^[6]	Com'l		30		35			ns
		Mil		30		35		40	
t _{CF}	Synchronous Clock to Local Feedback Input ^[3, 13]	Com'l		3		5			ns
		Mil		3		5		7	
t _p	External Synchronous Clock Period (1/f _{MAX3}) ^[3]	Com'l	20		25				ns
		Mil	20		25		30		
f _{MAX1}	External Feedback Maximum Frequency (1/(t _{CO1} + t _{S1})) ^[3, 14]	Com'l	27.7		22.2				MHz
		Mil	27.7		22.2		19.6		
f _{MAX2}	Internal Local Feedback Maximum Frequency, lesser of (1/(t _{S1} + t _{CF})) or (1/t _{CO1}) ^[3, 15]	Com'l	43		33				MHz
		Mil	43		33		28.5		
f _{MAX3}	Data Path Maximum Frequency, least of 1/(t _{WL} + t _{WH}), 1/(t _{S1} + t _H), or (1/t _{CO1}) ^[3, 16]	Com'l	50		40.0				MHz
		Mil	50		40.0		33.3		
f _{MAX4}	Maximum Register Toggle Frequency (1/(t _{WL} + t _{WH})) ^[3, 17]	Com'l	50		40.0				MHz
		Mil	50		40.0		33.3		
t _{OH}	Output Data Stable Time from Synchronous Clock Input ^[3, 18]	Com'l	3		3				ns
		Mil	3		3		3		

4
PLDs

External Asynchronous Switching Characteristics Over the Operating Range^[6] (continued)

Parameter	Description		7C341B-15		7C341B-20		7C341-25		7C341B-25		Unit
			Min.	Max.	Min.	Max.	Min.	Max.	Min.	Max.	
t _{ACO1}	Dedicated Asynchronous Clock Input to Output Delay ^[6]	Com'1		15		20		25			ns
		Mil				20				25	
t _{ACO2}	Asynchronous Clock Input to Local Feedback to Combinatorial Output ^[19]	Com'1		25		32		40			ns
		Mil				32				40	
t _{AS1}	Dedicated Input or Feedback Set-up Time to Asynchronous Clock Input ^[6]	Com'1	5		6		5				ns
		Mil			6				5		
t _{AS2}	I/O Input Set-Up Time to Asynchronous Clock Input ^[6]	Com'1	14		18		20				ns
		Mil			18				20		
t _{AH}	Input Hold Time from Asynchronous Clock Input ^[6]	Com'1	5		6		6				ns
		Mil			6				6		
t _{AWH}	Asynchronous Clock Input HIGH Time ^[6]	Com'1	5		7		11				ns
		Mil			7				11		
t _{AWL}	Asynchronous Clock Input LOW Time ^[6, 20]	Com'1	5		7		9				ns
		Mil			7				9		
t _{ACF}	Asynchronous Clock to Local Feedback Input ^[21]	Com'1		10		13		15			ns
		Mil				13				15	
t _{AP}	External Asynchronous Clock Period (1/f _{MAX4})	Com'1	12		14		20				ns
		Mil			14				20		
f _{MAXA1}	External Feedback Maximum Frequency in Asynchronous Mode 1/(t _{ACO1} + t _{AS1}) ^[22]	Com'1	55.5		40		33.3				MHz
		Mil			40				33.3		
f _{MAXA2}	Maximum Internal Asynchronous Frequency ^[23]	Com'1	76.9		58		50				MHz
		Mil			58				50		
f _{MAXA3}	Data Path Maximum Frequency in Asynchronous Mode ^[24]	Com'1	66.6		50		40				MHz
		Mil			50				40		
f _{MAXA4}	Maximum Asynchronous Register Toggle Frequency 1/(t _{AWH} + t _{AWL}) ^[25]	Com'1	77		58		50				MHz
		Mil			58				50		
t _{AOH}	Output Data Stable Time from Asynchronous Clock Input ^[26]	Com'1	15		15		15				ns
		Mil			15				15		

Shaded areas contain preliminary information.

Notes:

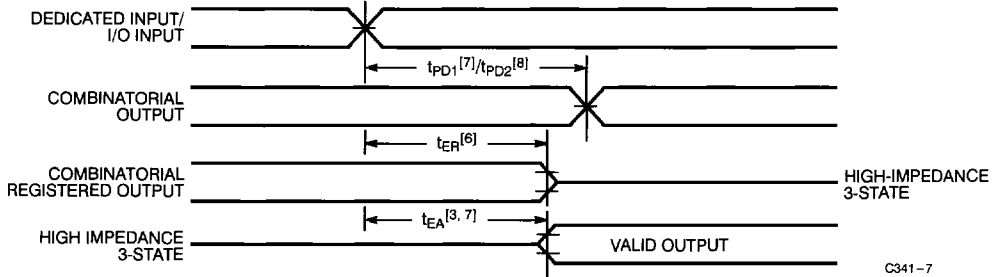
19. This specification is a measure of the delay from an asynchronous register clock input to internal feedback of the register output signal to the input of the LAB logic array and then to a combinatorial output. This delay assumes no expanders are used in the logic of combinatorial output or the asynchronous clock input. The clock signal is applied to the dedicated clock input pin and all feedback is within a single LAB. This parameter is tested periodically by sampling production material.
20. This parameter is measured with a positive-edge-triggered clock at the register. For negative-edge triggering, the t_{AWH} and t_{AWL} parameters must be swapped. If a given input is used to clock multiple registers with both positive and negative polarity, t_{AWH} should be used for both t_{AWH} and t_{AWL}.
21. This specification is a measure of the delay associated with the internal register feedback path for an asynchronous clock to LAB logic array input. This delay plus the asynchronous register set-up time, t_{AS1}, is the minimum internal period for an internal asynchronously clocked state machine configuration. This delay is for feedback within the same LAB, and assumes there is no expander logic in the clock path and the clock input signal is applied to a dedicated input pin. This parameter is tested periodically by sampling production material.
22. This specification indicates the guaranteed maximum frequency at which an asynchronously clocked state machine configuration with external feedback can operate. It is assumed that all data inputs, clock inputs, and feedback signals are applied to dedicated inputs, and that no expander logic is employed in the clock signal path or data path.
23. This specification indicates the guaranteed maximum frequency at which an asynchronously clocked state machine with internal-only feedback can operate. This parameter is determined by the lesser of (1/t_{ACF} + t_{AS1}) or (1/(t_{AWH} + t_{AWL})). If register output states must also control external points, this frequency can still be observed as long as this frequency is less than 1/t_{ACO1}.
24. This frequency is the maximum frequency at which the device may operate in the asynchronously clocked data path mode. This specification is determined by the least of 1/(t_{AWH} + t_{AWL}), 1/(t_{AS1} + t_{AH}) or 1/t_{ACO1}. It assumes data and clock input signals are applied to dedicated input pins and no expander logic is used.
25. This specification indicates the guaranteed maximum frequency at which an individual output or buried register can be cycled in asynchronously clocked mode by a clock signal applied to an external dedicated input pin.
26. This parameter indicates the minimum time that the previous register output data is maintained on the output after an asynchronous register clock input applied to an external dedicated input pin.

External Asynchronous Switching Characteristics Over the Operating Range^[6] (continued)

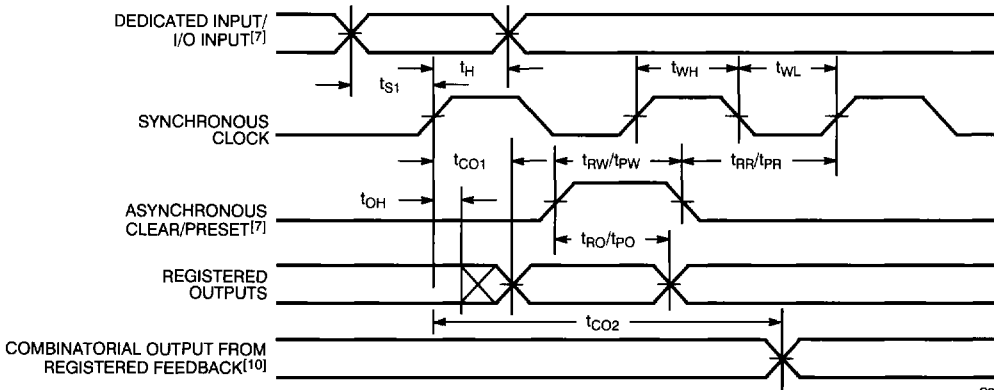
Parameter	Description		7C341-30		7C341-35		7C341-40		Unit
			Min.	Max.	Min.	Max.	Min.	Max.	
t _{ACO1}	Dedicated Asynchronous Clock Input to Output Delay ^[6]	Com'l		30		35			ns
		Mil		30		35		45	
t _{ACO2}	Asynchronous Clock Input to Local Feedback to Combinatorial Output ^[19]	Com'l		46		55			ns
		Mil		46		55		64	
t _{AS1}	Dedicated Input or Feedback Set-up Time to Asynchronous Clock Input ^[6]	Com'l	6		8				ns
		Mil	6		8		10		
t _{AS2}	I/O Input Set-Up Time to Asynchronous Clock Input ^[6]	Com'l	27		30				ns
		Mil	27		30		33		
t _{AH}	Input Hold Time from Asynchronous Clock Input ^[6]	Com'l	8		10				ns
		Mil	8		10		12		
t _{AWH}	Asynchronous Clock Input HIGH Time ^[6]	Com'l	14		16				ns
		Mil	14		16		20		
t _{AWL}	Asynchronous Clock Input LOW Time ^[6, 20]	Com'l	11		14				ns
		Mil	11		14		20		
t _{ACF}	Asynchronous Clock to Local Feedback Input ^[21]	Com'l		18		22			ns
		Mil		18		22		26	
t _{AP}	External Asynchronous Clock Period (1/f _{MAX4})	Com'l	25		30				ns
		Mil	25		30		40		
f _{MAXA1}	External Feedback Maximum Frequency in Asynchronous Mode 1/(t _{ACO1} + t _{AS1}) ^[22]	Com'l	27		23				MHz
		Mil	27		23		18		
f _{MAXA2}	Maximum Internal Asynchronous Frequency ^[23]	Com'l	40		33.3				MHz
		Mil	40		33.3		25		
f _{MAXA3}	Data Path Maximum Frequency in Asynchronous Mode ^[24]	Com'l	33.3		28.5				MHz
		Mil	33.3		28.5		22.2		
f _{MAXA4}	Maximum Asynchronous Register Toggle Frequency 1/(t _{AWH} + t _{AWL}) ^[25]	Com'l	40		33.3				MHz
		Mil	40		33.3		25		
t _{AOH}	Output Data Stable Time from Asynchronous Clock Input ^[26]	Com'l	15		15				ns
		Mil	15		15		15		

Switching Waveforms

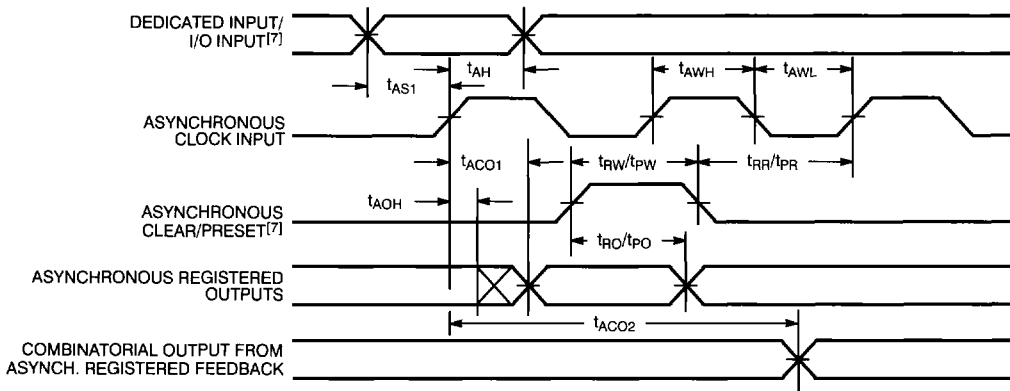
External Combinatorial



External Synchronous



External Asynchronous



Internal Switching Characteristics Over the Operating Range^[1]

Parameter	Description	7C341B-15		7C341B-20		7C341-25		7C341B-25		Unit
		Min.	Max.	Min.	Max.	Min.	Max.	Min.	Max.	
t _{IN}	Dedicated Input Pad and Buffer Delay	Com'l	3		4		5			ns
		Mil			4			5		
t _{IO}	I/O Input Pad and Buffer Delay	Com'l	3		4		6			ns
		Mil			4			6		
t _{EXP}	Expander Array Delay	Com'l	8		10		12			ns
		Mil			10			12		
t _{LAD}	Logic Array Data Delay	Com'l	8		10		12			ns
		Mil			10			12		
t _{LAC}	Logic Array Control Delay	Com'l	5		5		10			ns
		Mil			5			10		
t _{OD}	Output Buffer and Pad Delay	Com'l	3		3		5			ns
		Mil			3			5		
t _{ZX}	Output Buffer Enable Delay ^[27]	Com'l	5		5		10			ns
		Mil			5			10		
t _{XZ}	Output Buffer Disable Delay	Com'l	5		5		10			ns
		Mil			5			10		
t _{RSU}	Register Set-Up Time Relative to Clock Signal at Register	Com'l	4		5		6			ns
		Mil			5			6		
t _{RH}	Register Hold Time Relative to Clock Signal at Register	Com'l	4		5		6			ns
		Mil			5			6		
t _{LATCH}	Flow-Through Latch Delay	Com'l	1		1		3			ns
		Mil			1			3		
t _{RD}	Register Delay	Com'l	1		1		1			ns
		Mil			1			1		
t _{COMB}	Transparent Mode Delay ^[28]	Com'l	1		1		3			ns
		Mil			1			3		
t _{CH}	Clock High Time	Com'l	4		6		8			ns
		Mil			6			8		
t _{CL}	Clock Low Time	Com'l	4		6		8			ns
		Mil			6			8		
t _{IC}	Asynchronous Clock Logic Delay	Com'l	6		8		14			ns
		Mil			8			14		
t _{ICS}	Synchronous Clock Delay	Com'l	0		0		2			ns
		Mil			0			2		
t _{FD}	Feedback Delay	Com'l	1		1		1			ns
		Mil			1			1		
t _{PRE}	Asynchronous Register Preset Time	Com'l	3		3		5			ns
		Mil			3			5		
t _{CLR}	Asynchronous Register Clear Time	Com'l	3		3		5			ns
		Mil			3			5		
t _{PCW}	Asynchronous Preset and Clear Pulse Width	Com'l	3		4		5			ns
		Mil			4			5		
t _{PCR}	Asynchronous Preset and Clear Recovery Time	Com'l	3		4		5			ns
		Mil			4			5		
t _{PIA}	Programmable Interconnect Array Delay Time	Com'l	10		13		14			ns
		Mil			13			14		

Shaded areas contain preliminary information

Notes:

27. Sample tested only for an output change of 500 mV.

28. This specification guarantees the maximum combinatorial delay associated with the macrocell register bypass when the macrocell is configured for combinatorial operation.

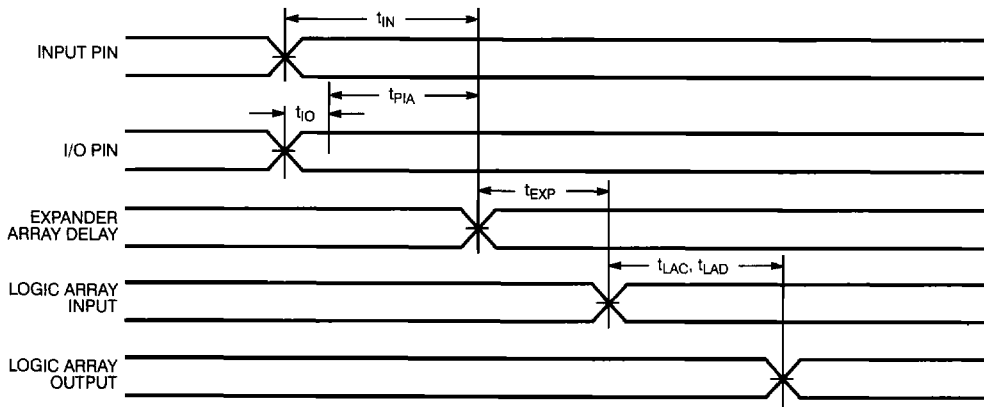
4
PLDS

Internal Switching Characteristics Over the Operating Range^[1]

Parameter	Description		7C341-30		7C341-35		7C341-40		Unit
			Min.	Max.	Min.	Max.	Min.	Max.	
t _{IN}	Dedicated Input Pad and Buffer Delay	Com'l		7		9			ns
		Mil		7		9		11	
t _{IO}	I/O Input Pad and Buffer Delay	Com'l		6		9			ns
		Mil		6		9		12	
t _{EXP}	Expander Array Delay	Com'l		14		20			ns
		Mil		14		20		25	
t _{LAD}	Logic Array Data Delay	Com'l		14		16			ns
		Mil		14		16		18	
t _{LAC}	Logic Array Control Delay	Com'l		12		13			ns
		Mil		12		13		14	
t _{OD}	Output Buffer and Pad Delay	Com'l		5		6			ns
		Mil		5		6		7	
t _{ZX}	Output Buffer Enable Delay ^[29]	Com'l		11		13			ns
		Mil		11		13		15	
t _{XZ}	Output Buffer Disable Delay	Com'l		11		13			ns
		Mil		11		13		15	
t _{RSU}	Register Set-Up Time Relative to Clock Signal at Register	Com'l	8		10				ns
		Mil	8		10		12		
t _{RH}	Register Hold Time Relative to Clock Signal at Register	Com'l	8		10				ns
		Mil	8		10		12		
t _{LATCH}	Flow-Through Latch Delay	Com'l		4		4			ns
		Mil		4		4		4	
t _{RD}	Register Delay	Com'l		2		2			ns
		Mil		2		2		2	
t _{COMB}	Transparent Mode Delay ^[30]	Com'l		4		4			ns
		Mil		4		4		4	
t _{CH}	Clock High Time	Com'l	10		12.5				ns
		Mil	10		12.5		15		
t _{CL}	Clock Low Time	Com'l	10		12.5				ns
		Mil	10		12.5		15		
t _{IC}	Asynchronous Clock Logic Delay	Com'l		16		18			ns
		Mil		16		18		20	
t _{ICS}	Synchronous Clock Delay	Com'l		2		3			ns
		Mil		2		3		4	
t _{FD}	Feedback Delay	Com'l		1		2			ns
		Mil		1		2		3	
t _{PRE}	Asynchronous Register Preset Time	Com'l		6		7			ns
		Mil		6		7		8	
t _{CLR}	Asynchronous Register Clear Time	Com'l		6		7			ns
		Mil		6		7		8	
t _{PCW}	Asynchronous Preset and Clear Pulse Width	Com'l	6		7				ns
		Mil	6		7		8		
t _{PCR}	Asynchronous Preset and Clear Recovery Time	Com'l	6		7				ns
		Mil	6		7		8		
t _{PIA}	Programmable Interconnect Array Delay Time	Com'l		16		20			ns
		Mil		16		20		24	

Switching Waveforms (continued)

Internal Combinatorial

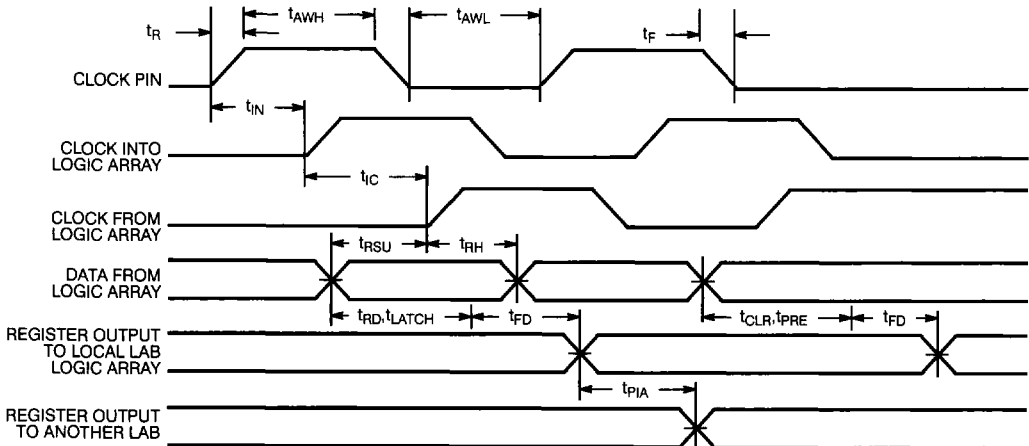


C341-10

4

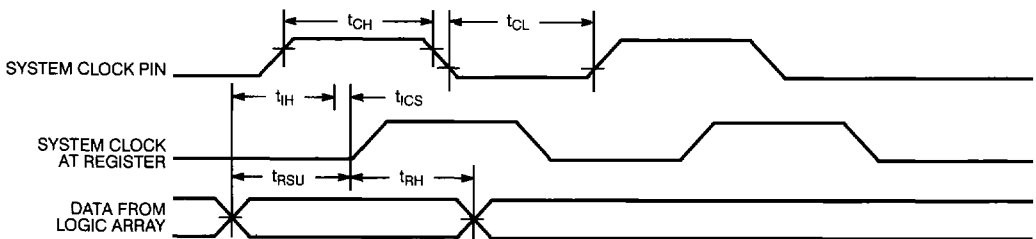
PLDs

Internal Asynchronous



C341-11

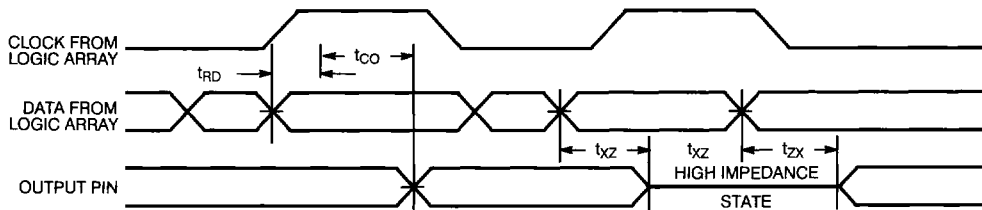
Internal Synchronous



C341-12

Switching Waveforms (continued)

Internal Synchronous



C341-13

Ordering Information

Speed (ns)	Ordering Code	Package Name	Package Type	Operating Range
15	CY7C341B-15HC	H84	84-Lead Windowed Leaded Chip Carrier	Commercial/ Industrial
	CY7C341B-15JC/JI	J83	84-Lead Plastic Leaded Chip Carrier	
	CY7C341B-15RC/RI	R84	84-Lead Windowed Pin Grid Array	
20	CY7C341B-20HC/HI	H84	84-Lead Windowed Leaded Chip Carrier	Commercial/ Industrial
	CY7C341B-20JC/JI	J83	84-Lead Plastic Leaded Chip Carrier	
	CY7C341B-20RC/RI	R84	84-Lead Windowed Pin Grid Array	
	CY7C341B-20HMB	H84	84-Lead Windowed Leaded Chip Carrier	Military
	CY7C341B-20RMB	R84	84-Lead Windowed Pin Grid Array	
25	CY7C341-25GC	G84	84-Pin Pin Grid Array (Cavity Up)	Commercial
	CY7C341-25HC	H84	84-Lead Windowed Leaded Chip Carrier	
	CY7C341-25JC	J83	84-Lead Plastic Leaded Chip Carrier	
	CY7C341-25RC	R84	84-Lead Windowed Pin Grid Array	Military
	CY7C341B-25HMB	H84	84-Lead Windowed Leaded Chip Carrier	
	CY7C341B-25RMB	R84	84-Lead Windowed Pin Grid Array	
30	CY7C341-30GC	G84	84-Pin Pin Grid Array (Cavity Up)	Commercial
	CY7C341-30HC	H84	84-Lead Windowed Leaded Chip Carrier	
	CY7C341-30JC	J83	84-Lead Plastic Leaded Chip Carrier	
	CY7C341-30RC	R84	84-Lead Windowed Pin Grid Array	Military
	CY7C341-30HMB	H84	84-Lead Windowed Leaded Chip Carrier	
	CY7C341-30RMB	R84	84-Lead Windowed Pin Grid Array	
35	CY7C341-35GC	G84	84-Pin Pin Grid Array (Cavity Up)	Commercial
	CY7C341-35HC	H84	84-Lead Windowed Leaded Chip Carrier	
	CY7C341-35JC	J83	84-Lead Plastic Leaded Chip Carrier	
	CY7C341-35RC	R84	84-Lead Windowed Pin Grid Array	Military
	CY7C341-35HMB	H84	84-Lead Windowed Leaded Chip Carrier	
	CY7C341-35RMB	R84	84-Lead Windowed Pin Grid Array	
40	CY7C341-40HMB	H84	84-Lead Windowed Leaded Chip Carrier	Military
	CY7C341-40RMB	R84	84-Lead Windowed Pin Grid Array	

MILITARY SPECIFICATIONS
Group A Subgroup Testing

DC Characteristics

Parameter	Subgroups
V _{OH}	1, 2, 3
V _{OL}	1, 2, 3
V _{IH}	1, 2, 3
V _{IL}	1, 2, 3
I _{Ix}	1, 2, 3
I _{OZ}	1, 2, 3
I _{CC1}	1, 2, 3

Switching Characteristics

Parameter	Subgroups
t _{PD1}	7, 8, 9, 10, 11
t _{PD2}	7, 8, 9, 10, 11
t _{PD3}	7, 8, 9, 10, 11
t _{CO1}	7, 8, 9, 10, 11
t _{S1}	7, 8, 9, 10, 11
t _H	7, 8, 9, 10, 11
t _{ACO1}	7, 8, 9, 10, 11
t _{ACO2}	7, 8, 9, 10, 11
t _{AS1}	7, 8, 9, 10, 11
t _{AH}	7, 8, 9, 10, 11

Document #: 38-00137-E