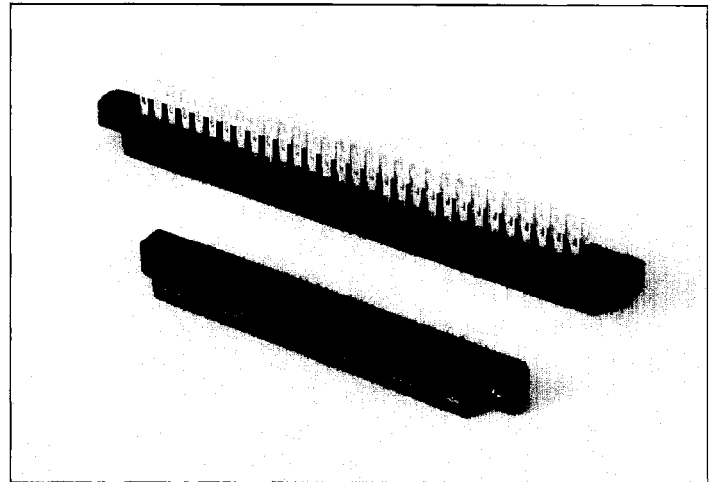


.156 x .200

Features

- Bifurcated cantilever contacts.
 - Solder-to-board or wire hole contact tails
 - UL 94V-0 thermoplastic insulator.
 - Wide variety of mounting ear types.
- Functionally interchangeable with MIL-C-21097.
- Selective gold plating available.



No. of Contact Positions	A	B	C	D	E
06/12	1.844 (46.84)	1.532 (38.91)	1.232 (31.29)	1.104 (28.04)	.780 (19.81)
10/20	2.468 (62.69)	2.156 (54.76)	1.856 (47.14)	1.728 (43.89)	1.404 (35.66)
12/24	2.780 (70.61)	2.468 (62.68)	2.168 (55.06)	2.040 (51.82)	1.716 (43.59)
15/30	3.248 (82.50)	2.936 (74.57)	2.636 (66.95)	2.508 (63.70)	2.184 (55.47)
18/36	3.716 (94.39)	3.404 (86.46)	3.104 (78.84)	2.976 (75.59)	2.652 (67.36)
22/44	4.340 (110.24)	4.028 (102.31)	3.728 (94.69)	3.600 (91.44)	3.276 (83.21)
25/50	4.808 (122.12)	4.496 (114.19)	4.196 (106.58)	4.068 (103.33)	3.744 (95.10)
28/56	5.276 (134.01)	4.964 (126.09)	4.664 (118.47)	4.536 (115.21)	4.212 (106.98)
30/60	5.588 (141.94)	5.276 (134.01)	4.976 (126.39)	4.848 (123.13)	4.524 (114.91)
36/72	6.524 (165.71)	6.212 (157.78)	5.912 (150.16)	5.784 (146.91)	5.460 (138.68)
43/86	7.616 (193.45)	7.304 (185.52)	7.004 (177.90)	6.876 (174.65)	6.552 (166.42)

Specifications

Current Rating:	5 Amperes
Contact Resistance:	8 Milliohms Max.
Dielectric Withstanding Voltage:	1800 VAC RMS (Sea Level)
Insulation Resistance:	5000 Megohms Min.
Operating Temperature:	-65°C to +125°C
Insertion Force:	10 oz. Max. per Pair
Withdrawal Force:	1 oz. Min. per Pair
Insulator Material:	Thermoplastic Glass Filled Polyester, Rated 94V-0
Contact Material & Finish:	See Ordering Code
Mounting Inserts & Bushings Material & Finish:	Brass-Nickel Plated

Polarization – Order polarization keys separately.
Between contact key – Eby P/N 9775-508-01.
Over contact key – Eby P/N 9775-511-02.

Specifications are subject to change without notice.
For special requirements consult factory.

Ordering Code



Series

Number of
Dual Positions

06, 10, 12, 15, 18, 22, 25, 28,
30, 36, 43

(see chart for standard sizes)

Contact Terminations & Lengths

OA – Printed Circuit (.16 Tail Length Min.)

OG – Wire Hole Tail (.25 Tail Length Min.)

OH – Printed Circuit – Right Angle

Mounting Types

A – .128 Dia. Clearance Holes

B – #4-40 Threaded Inserts

C – .116 I.D. Floating Bushings

E – No Mounting Ears

F – Side Mounting (For Right Angle)

Contact Material and Finish

01 – Phos. Brz. - .000010" Gold over Nickel

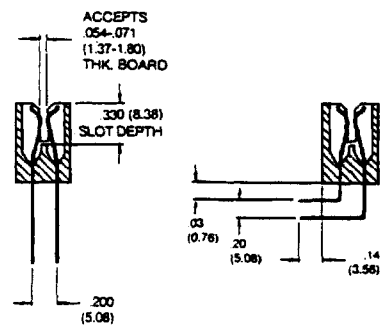
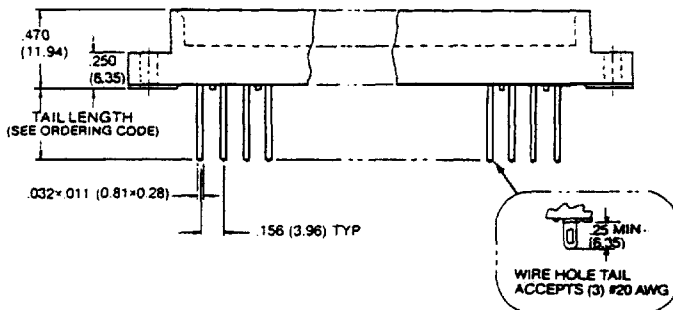
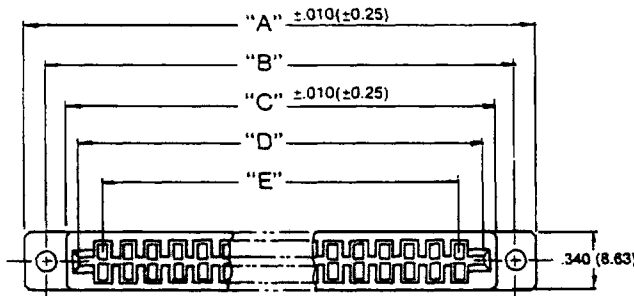
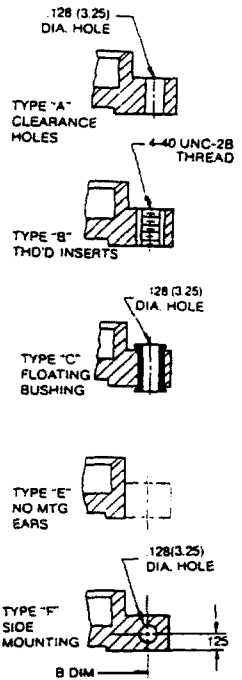
03 – Phos. Brz. - .000030" Gold over Nickel

43 – Phos. Brz. - .000100" Tin-Lead over Nickel

83 – Phos. Brz. - .000030" Selective Gold*,
tin-lead on tail, over Nickel

*Selective Gold is on the male/female engaging area.

MOUNTING TYPES



4300 "H" Street • Philadelphia, PA 19124

1-800-eby-3430; (215) 537-4700; Fax: (215) 537-4780