

Right-angle SMT type 26-contacts board connector
 RMCF-E26LMY-OM()-MC()



● Configuration of product Part No.

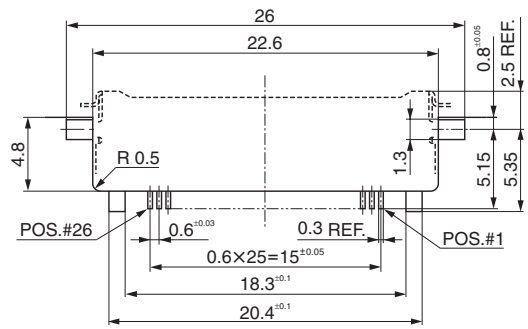
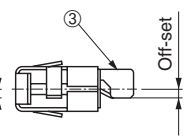
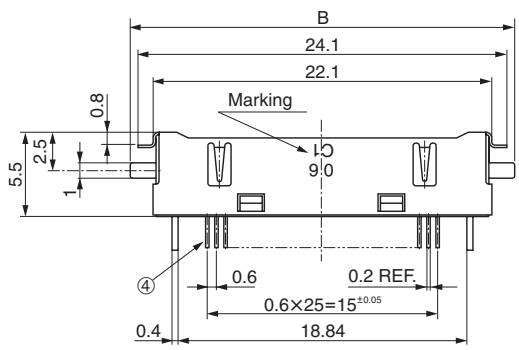
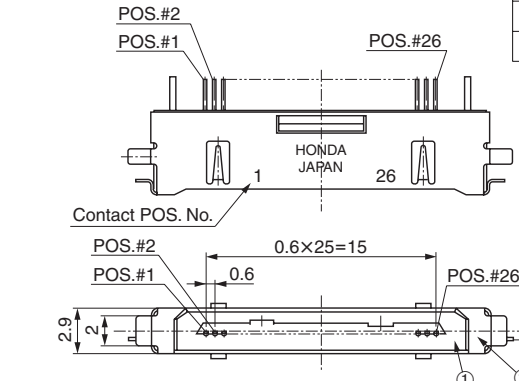
RMCF- E 26 LMY- OM()- MC()

① ② ③ ④ ⑤ ⑥

- ① Series name
- ② E: EMI-filtered
- ③ No. of contacts: 26
- ④ LMY: SMT type, male
- ⑤ Off-set: OM06 0.6 mm
- ⑥ MC(): Forms and position of polarization key

● Position of polarization key

Part No.	Key position	Marking	Mating connectors
RMCF-E26LMY-OM()-MC	-		RMCF-E26LA-MC()
RMCF-E26LMY-OM()-MC1	1		RMCF-E26LA-MC2
RMCF-E26LMY-OM()-MC2	2		RMCF-E26LA-MC1



PCB layout for reference only
 t= 0.5 mm

● Components

①	Insulator
②	Shell
③	Locking devise used with hold-down
④	Male contacts

- Some models may not be quickly supplied depending on the configuration of part number (key position and off-set dimension). For the availability of the model required, consult your supplier.
- Connectors without positioning mechanism are also available, please contact us.

● Dimensions

Part No.	Off-set	B
RMCF-E26LMY-OM06-MC()	0.6	25.1

Mating connectors: Refer to the table Shown