

ATTRACTIVE & RUGGED FOR WET & DUSTY ENVIRONMENTS

The K3 rocker switch is a quality, precision switch designed to comply with standards established for appliance, marine (ignition protection) and off-road vehicles along with other demanding applications where rugged rocker switches are required.

K3 sealed rocker switches snap into industry-standard panel cutouts. Choose illuminated and printed legends, thru-panel drain option and switching compatibility from low level to 20 amps.

The K3 offers a choice of LED, incandescent and neon illumination. Legends can be stamped onto a non-illuminated button, stamped onto an illuminated lens or laser etched into the lens and backlit.

Available in standard and low level contact ratings, the K3 rockers will fit a wide range of applications. Expect a minimum of 25,000 cycles at a full rated load of 20 amps resistive or 15 amps inductive. 100,000 cycles mechanical. A full complement of switch operation is available including momentary and maintained action in 2 or 3-position switches in SPST, SPDT, SPTT, DPST and DPDT circuit arrangements.

OTTO can provide custom colors upon request. Value-added assemblies with wire leads are also available. Please consult the factory for assistance.

Features:

- Sealed watertight per IP68S
- Snap-in panel mounting into industry standard panel cutout
- Optional panel seal gasket
- Thru-panel drain option
- LED, neon & incandescent lighting
- 0.250" Quick Connect terminals
- Optional one-piece connector
- Optional terminal barriers
- Low level up to 20 amp switch
- Configurable Single Pole Triple Throw (SPTT) with external jumpers
- RoHS & WEEE compliant



Standard Characteristics/Ratings:		
ELECTRICAL RATINGS:		
Load	Sea Level @ 12/28VDC, 60Hz	Sea Level @ 125VAC, 60Hz
Resistive	20A	16A
Inductive	15A	15A
Lamp	5A	5A
Motor	0.5HP @ 110VAC	
DWV	1050Vrms except across light terminals	
Low Level	10mA @ 30mV	
Electrical Life:	25,000 cycles	
LIGHTING:		
Light Source	Rating	
Incandescent	(VDC) 6V, 12V, 24V	
Neon	(VAC) 125V, 250V	
LED	(VDC) 2V, 6V, 12V, 24V	
Mechanical Life:	100,000 cycles	
Seal:	IP68S	
Operating Temp Range:	-40°C to +85°C	
MATERIALS:		
Case:	Thermoplastic, black	
Button:	Thermoplastic	
Terminals/Contact:	Brass, silver alloy with silver plate, gold flash for low level	
Terminal Hardware:	K3 series recommended Quick Connect terminals: AMP 60253-2 for 12-16 AWG AMP 42100-2 for 14-18 AWG	
Mounting Hardware:	None provided	

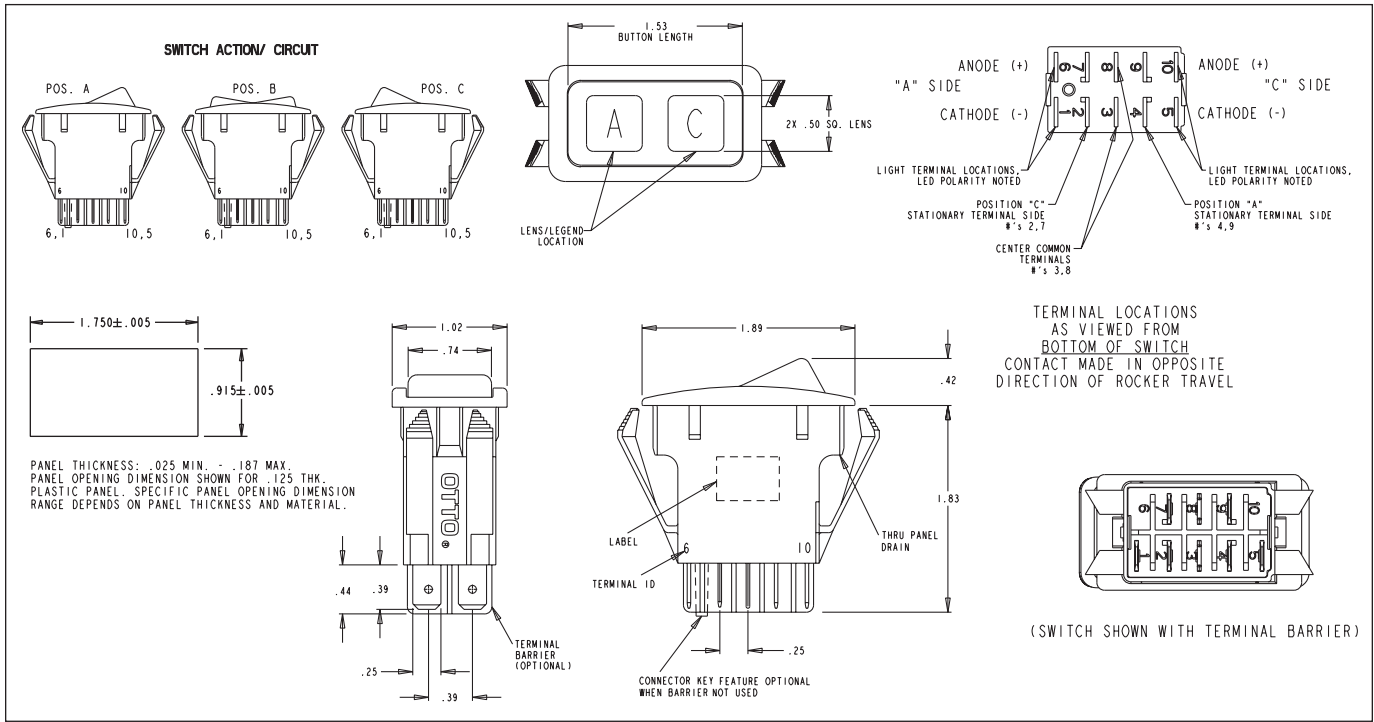
SNAP-IN PANEL MOUNTING

Standard Legends Per SAE Specifications

A1	 ANCHOR	K2	 UNLOCK	P5	 BILGE BLOWER
B1	 BATTERY	L1	 LIGHT	R1	 LIFT
B2	 ELECTRIC POWER	L2	 MASTER LIGHTING SWITCH	R2	 LOWER
C1	 AC/COOLING SYSTEMS	L3	 HEADLIGHTS	R3	 UP
C2	 DEHUMIDIFIER	L4	 HEADLIGHTS-LOW/ DIPPED BEAM	R4	 DOWN
C3	 HEATER/INTERIOR HEATING	L5	 HEADLIGHTS-HIGH/ UPPER BEAM	R5	 RIGHT
D1	 WINDSHIELD DEFROSTER	L6	 PARKING LIGHT	R6	 LEFT
D2	 REAR WINDOW DEFROSTER	L7	 WORK LAMP	R7	FWD FORWARD
D3	 MIRROR DEFROSTER	L8	 WORK LAMP	R8	REV REVERSE
E1	 ENGINE/START	L9	 INTERIOR DOME LIGHT	S1	 RADIO
E2	 ENGINE/STOP	M1	 BEACON	S2	 MUTE
E3	ON/START	M2	 HAZARD/POSITION LIGHTS	T1	 FAST
E4	○ OFF/STOP	M3	 CLEARANCE LIGHTS	T2	 SLOW
E5	ON ON	M4	 SIDE MARKER LIGHT	T3	 TRIM TAB/ TRIMMING OPERATION
E6	OFF OFF	M5	 RUNNING LIGHTS (UNDER POWER)	T4	 TRANSMISSION
E7	 ENGINE ELECTRIC PREHEAT	M6	 ANCHOR LIGHT	V1	 VENTILATING/AC FAN
E8	 ENGINE-GAS INJECTION	M7	 RUNNING/ANCHOR LIGHTS	W1	 WINDSHIELD WIPER
F1	 FRONT FOG LIGHTS	M8	 SEARCH LIGHT	W2	 WINDSHIELD-WASHER
F2	 REAR FOG LIGHTS	M9	 LEFT TURN SIGNAL	W3	 WINDSHIELD-WASHER/WIPER
G1	 FUEL	MA	 RIGHT TURN SIGNAL	W4	 REAR WINDOW WIPER
H1	 HORN	P1	 BILGE PUMP #1	W5	 REAR WINDOW-WASHER
H2	 HORN REAR	P2	 BILGE PUMP #2	W6	 REAR WINDOW-WASHER/WIPER
K1	 LOCK	P3	 BILGE PUMP #3	ZZ	NO LEGEND
		P4	 BILGE PUMP		

For legends not shown, please consult an OTTO representative.

SNAP-IN PANEL MOUNTING



K3 SERIES

K3	X	X	XX	X	X																																																																																																																																
Base Options	Case Style/Button Color	Switch Action/Circuit	Light Source Type	Light Circuit																																																																																																																																	
A. With Keying Pin Only Standard Rating Silver Plate B. Without Barriers or Pin Standard Rating Silver Plate C. With Terminal Barriers Only Standard Rating Silver Plate D. With Keying Pin Only Low Level Rating Gold Plate E. Without Barriers or Pin Low Level Rating Gold Plate F. With Terminal Barriers Only Low Level Rating Gold Plate G. With Keying Pin Only Standard Rating No Plate H. Without Barriers or Pin Standard Rating No Plate J. With Terminal Barriers Only Standard Rating No Plate	A. Case With Drain Holes Button Color: Black B. Case Without Drain Holes Button Color: Black C. Case With Drain Holes Button Color: Red D. Case Without Drain Holes Button Color: Red E. Case With Drain Holes Button Color: White F. Case Without Drain Holes Button Color: White NOTE: Switch case is black for all options below: 1. Case With Drain Holes Button Not Included 2. Case Without Drain Holes Button Not Included	<table border="0"> <thead> <tr> <th>Position "A"</th> <th>Position "B"</th> <th>Position "C"</th> <th>Circuit</th> </tr> </thead> <tbody> <tr><td>1A.</td><td>3-4</td><td>None</td><td>OFF</td></tr> <tr><td>2A.</td><td>3-4/8-9</td><td>None</td><td>OFF</td></tr> <tr><td>1B.</td><td>3-4</td><td>None</td><td>3&2</td></tr> <tr><td>2B.</td><td>3-4/8-9</td><td>None</td><td>3-2/8-7</td></tr> <tr><td>1C.</td><td>(3-4)</td><td>None</td><td>OFF</td></tr> <tr><td>2C.</td><td>(3-4)/(8-9)</td><td>None</td><td>OFF</td></tr> <tr><td>1D.</td><td>(3-4)</td><td>None</td><td>3-2</td></tr> <tr><td>2D.</td><td>(3-4)/(8-9)</td><td>None</td><td>3-2/8-7</td></tr> <tr><td>1E.</td><td>(3-4)</td><td>OFF</td><td>(3-2)</td></tr> <tr><td>2E.</td><td>(3-4)/(8-9)</td><td>OFF</td><td>(3-2)/(8-7)</td></tr> <tr><td>1F.</td><td>3-4</td><td>OFF</td><td>3-2</td></tr> <tr><td>2F.</td><td>3-4/8-9</td><td>OFF</td><td>3-2/8-7</td></tr> <tr><td>1G.</td><td>(3-4)</td><td>OFF</td><td>3-2</td></tr> <tr><td>2G.</td><td>(3-4)/(8-9)</td><td>OFF</td><td>3-2/8-7</td></tr> </tbody> </table> <table border="0"> <thead> <tr> <th>Position "A"</th> <th>Position "B"</th> <th>Position "C"</th> <th>Special Circuits</th> </tr> </thead> <tbody> <tr><td>1H.</td><td>3-4/8-9</td><td>3-2/8-9</td><td>OFF</td></tr> <tr><td>1J.</td><td>3-4/8-9</td><td>3-2/8-9</td><td>None</td></tr> <tr><td>1K.</td><td>(3-4)/(8-9)</td><td>3-2/8-9</td><td>OFF</td></tr> <tr><td>1L.</td><td>(3-4)/(8-9)</td><td>3-2/8-9</td><td>None</td></tr> <tr><td>1M.</td><td>3-4/8-9</td><td>3-2/8-9</td><td>3-2/7-8</td></tr> <tr><td>1N.</td><td>(3-4)/(8-9)</td><td>3-2/8-9</td><td>3-2/7-8</td></tr> <tr><td>1P.</td><td>(3-4)/(8-9)</td><td>3-2/8-9</td><td>(3-2)/(8-7)</td></tr> <tr><td>2R.</td><td>3-4/8-9</td><td>OFF/8-9</td><td>OFF/OFF</td></tr> <tr><td>2S.</td><td>(3-4)/8-9</td><td>OFF/8-9</td><td>OFF/OFF</td></tr> </tbody> </table>	Position "A"	Position "B"	Position "C"	Circuit	1A.	3-4	None	OFF	2A.	3-4/8-9	None	OFF	1B.	3-4	None	3&2	2B.	3-4/8-9	None	3-2/8-7	1C.	(3-4)	None	OFF	2C.	(3-4)/(8-9)	None	OFF	1D.	(3-4)	None	3-2	2D.	(3-4)/(8-9)	None	3-2/8-7	1E.	(3-4)	OFF	(3-2)	2E.	(3-4)/(8-9)	OFF	(3-2)/(8-7)	1F.	3-4	OFF	3-2	2F.	3-4/8-9	OFF	3-2/8-7	1G.	(3-4)	OFF	3-2	2G.	(3-4)/(8-9)	OFF	3-2/8-7	Position "A"	Position "B"	Position "C"	Special Circuits	1H.	3-4/8-9	3-2/8-9	OFF	1J.	3-4/8-9	3-2/8-9	None	1K.	(3-4)/(8-9)	3-2/8-9	OFF	1L.	(3-4)/(8-9)	3-2/8-9	None	1M.	3-4/8-9	3-2/8-9	3-2/7-8	1N.	(3-4)/(8-9)	3-2/8-9	3-2/7-8	1P.	(3-4)/(8-9)	3-2/8-9	(3-2)/(8-7)	2R.	3-4/8-9	OFF/8-9	OFF/OFF	2S.	(3-4)/8-9	OFF/8-9	OFF/OFF	A. No Illumination B. 6V Incandescent C. 12V Incandescent D. 24V Incandescent E. 125VAC Neon F. 250VAC Neon G. 2V Red LED H. 2V Green LED J. 2V Amber LED K. 6V Red LED L. 6V Green LED M. 6V Amber LED N. 12V Red LED P. 12V Green LED Q. 12V Amber LED R. 24V Red LED S. 24V Green LED T. 24V Amber LED	<table border="0"> <thead> <tr> <th>Circuit</th> <th>Terminal Connections</th> </tr> </thead> <tbody> <tr><td>A.</td><td>None</td></tr> <tr><td>B.</td><td>Dep. in "A" 1(-) & 4(+)</td></tr> <tr><td>C.</td><td>Dep. in "C" 2(+) & 5(-)</td></tr> <tr><td>D.</td><td>Ind. in "A" 1(-) & 6(+)</td></tr> <tr><td>E.</td><td>Ind. in "C" 5(-) & 10(+)</td></tr> <tr><td>F.</td><td>Dep. in "A" 1(-) & 4(+)</td></tr> <tr><td></td><td>Dep. in "C" 2(+) & 5(-)</td></tr> <tr><td>G.</td><td>Dep. in "A" 1(-) & 4(+)</td></tr> <tr><td></td><td>Ind. in "C" 5(-) & 10(+)</td></tr> <tr><td>H.</td><td>Ind. in "A" 1(-) & 6(+)</td></tr> <tr><td></td><td>Dep. in "C" 2(+) & 5(-)</td></tr> <tr><td>J.</td><td>Ind. in "A" 1(-) & 6(+)</td></tr> <tr><td></td><td>Ind. in "C" 5(-) & 10(+)</td></tr> </tbody> </table> NOTE: Polarity only applies to LED circuits.	Circuit	Terminal Connections	A.	None	B.	Dep. in "A" 1(-) & 4(+)	C.	Dep. in "C" 2(+) & 5(-)	D.	Ind. in "A" 1(-) & 6(+)	E.	Ind. in "C" 5(-) & 10(+)	F.	Dep. in "A" 1(-) & 4(+)		Dep. in "C" 2(+) & 5(-)	G.	Dep. in "A" 1(-) & 4(+)		Ind. in "C" 5(-) & 10(+)	H.	Ind. in "A" 1(-) & 6(+)		Dep. in "C" 2(+) & 5(-)	J.	Ind. in "A" 1(-) & 6(+)		Ind. in "C" 5(-) & 10(+)	
Position "A"	Position "B"	Position "C"	Circuit																																																																																																																																		
1A.	3-4	None	OFF																																																																																																																																		
2A.	3-4/8-9	None	OFF																																																																																																																																		
1B.	3-4	None	3&2																																																																																																																																		
2B.	3-4/8-9	None	3-2/8-7																																																																																																																																		
1C.	(3-4)	None	OFF																																																																																																																																		
2C.	(3-4)/(8-9)	None	OFF																																																																																																																																		
1D.	(3-4)	None	3-2																																																																																																																																		
2D.	(3-4)/(8-9)	None	3-2/8-7																																																																																																																																		
1E.	(3-4)	OFF	(3-2)																																																																																																																																		
2E.	(3-4)/(8-9)	OFF	(3-2)/(8-7)																																																																																																																																		
1F.	3-4	OFF	3-2																																																																																																																																		
2F.	3-4/8-9	OFF	3-2/8-7																																																																																																																																		
1G.	(3-4)	OFF	3-2																																																																																																																																		
2G.	(3-4)/(8-9)	OFF	3-2/8-7																																																																																																																																		
Position "A"	Position "B"	Position "C"	Special Circuits																																																																																																																																		
1H.	3-4/8-9	3-2/8-9	OFF																																																																																																																																		
1J.	3-4/8-9	3-2/8-9	None																																																																																																																																		
1K.	(3-4)/(8-9)	3-2/8-9	OFF																																																																																																																																		
1L.	(3-4)/(8-9)	3-2/8-9	None																																																																																																																																		
1M.	3-4/8-9	3-2/8-9	3-2/7-8																																																																																																																																		
1N.	(3-4)/(8-9)	3-2/8-9	3-2/7-8																																																																																																																																		
1P.	(3-4)/(8-9)	3-2/8-9	(3-2)/(8-7)																																																																																																																																		
2R.	3-4/8-9	OFF/8-9	OFF/OFF																																																																																																																																		
2S.	(3-4)/8-9	OFF/8-9	OFF/OFF																																																																																																																																		
Circuit	Terminal Connections																																																																																																																																				
A.	None																																																																																																																																				
B.	Dep. in "A" 1(-) & 4(+)																																																																																																																																				
C.	Dep. in "C" 2(+) & 5(-)																																																																																																																																				
D.	Ind. in "A" 1(-) & 6(+)																																																																																																																																				
E.	Ind. in "C" 5(-) & 10(+)																																																																																																																																				
F.	Dep. in "A" 1(-) & 4(+)																																																																																																																																				
	Dep. in "C" 2(+) & 5(-)																																																																																																																																				
G.	Dep. in "A" 1(-) & 4(+)																																																																																																																																				
	Ind. in "C" 5(-) & 10(+)																																																																																																																																				
H.	Ind. in "A" 1(-) & 6(+)																																																																																																																																				
	Dep. in "C" 2(+) & 5(-)																																																																																																																																				
J.	Ind. in "A" 1(-) & 6(+)																																																																																																																																				
	Ind. in "C" 5(-) & 10(+)																																																																																																																																				

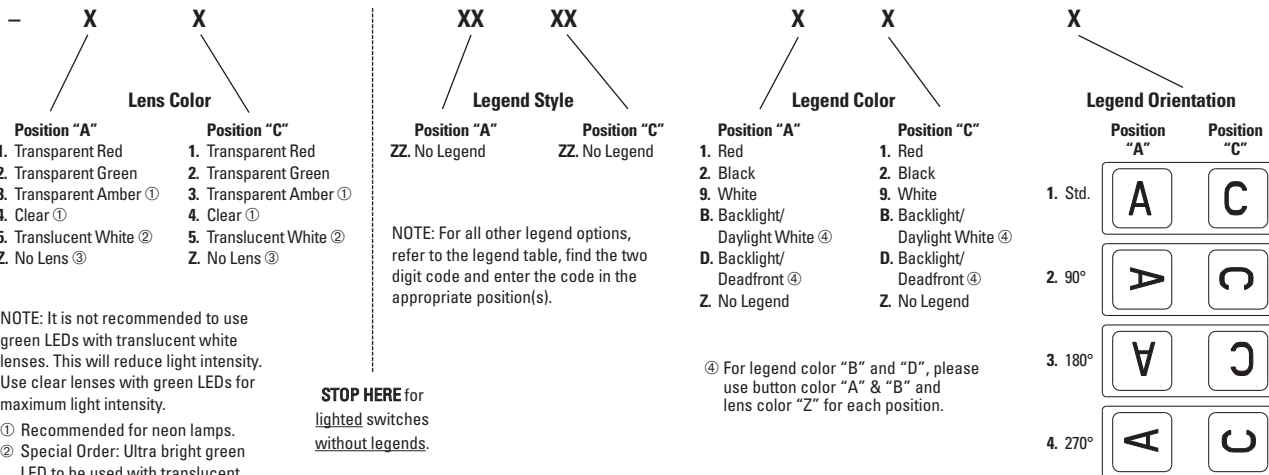
NOTE: () denotes momentary action.

SEALED, ILLUMINATED ROCKER SWITCHES

ATTRACTIVE & RUGGED FOR WET & DUSTY ENVIRONMENTS

<p>SPECIAL CIRCUIT - ON-ON SCHEMATIC</p>		<p>DPST-ON-NONE-OFF SCHEMATIC</p>		<p>DPDT-ON-NONE-ON SCHEMATIC</p>		<p>DPST-(ON)-NONE-OFF SCHEMATIC</p>		<p>DPDT-(ON)-NONE-ON SCHEMATIC</p>			
<p>GENERAL SCHEMATIC INFORMATION</p> <p>○ INDICATES MAINTAIN ACTION (FIXED POSITION) ▼ INDICATES MOMENTARY ACTION (AUTOMATIC RETURN POSITION)</p> <p>FOR OTHER LIGHTING SCHEMATICS REPLACE FOLLOWING SYMBOLS:</p> <p> INCANDESCENT (REPLACE RESISTOR & LED) NEON (REPLACE LED)</p>		<p>DPDT-(ON)-OFF-(ON) SCHEMATIC</p>		<p>DPDT-ON-OFF-ON SCHEMATIC</p>		<p>DPDT-(ON)-OFF-ON SCHEMATIC</p>		<p>DPDT-ON-NONE-ON SCHEMATIC W/DEPENDENT LED IN "A"</p>		<p>DPDT-ON-NONE-ON SCHEMATIC W/DEPENDENT LED IN "C"</p>	
<p>DPDT-ON-NONE-ON SCHEMATIC W/INDEPENDENT LED IN "A"</p>		<p>DPDT-ON-NONE-ON SCHEMATIC W/INDEPENDENT LED IN "C"</p>		<p>DPDT-ON-NONE-ON SCHEMATIC W/DEPENDENT LED IN "A" & "C"</p>		<p>DPDT-ON-NONE-ON SCHEMATIC W/DEPENDENT LED IN "A" & INDEPENDENT LED IN "C"</p>		<p>DPDT-ON-NONE-ON SCHEMATIC W/INDEPENDENT LED IN "A" & DEPENDENT LED IN "C"</p>		<p>DPDT-ON-NONE-ON SCHEMATIC W/INDEPENDENT LED IN "A" & "C"</p>	

PART NUMBER CODE

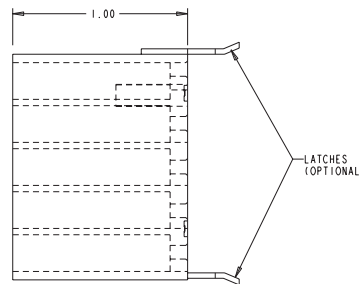
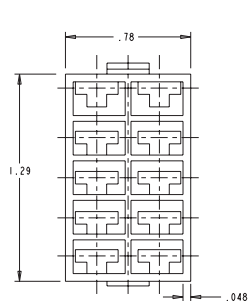


STOP HERE for lighted switches without legends.

Example: K3AAIFNH-44

STOP HERE for unlighted switches without legends.

Example: K3AAIFAA



K3 Connector

P/N 801775-2A Without Latches
P/N 801775-2B With Latches

Panel Seal Gasket

P/N 807037

Order separately for use with switches without drain holes.

Panel Plug

P/N K30000040 Black Unsealed
P/N K30000030 Black Sealed

Recommended Quick Connect Terminals:
AMP 60253-2 for 12-16 AWG
AMP 42100-2 for 14-18 AWG