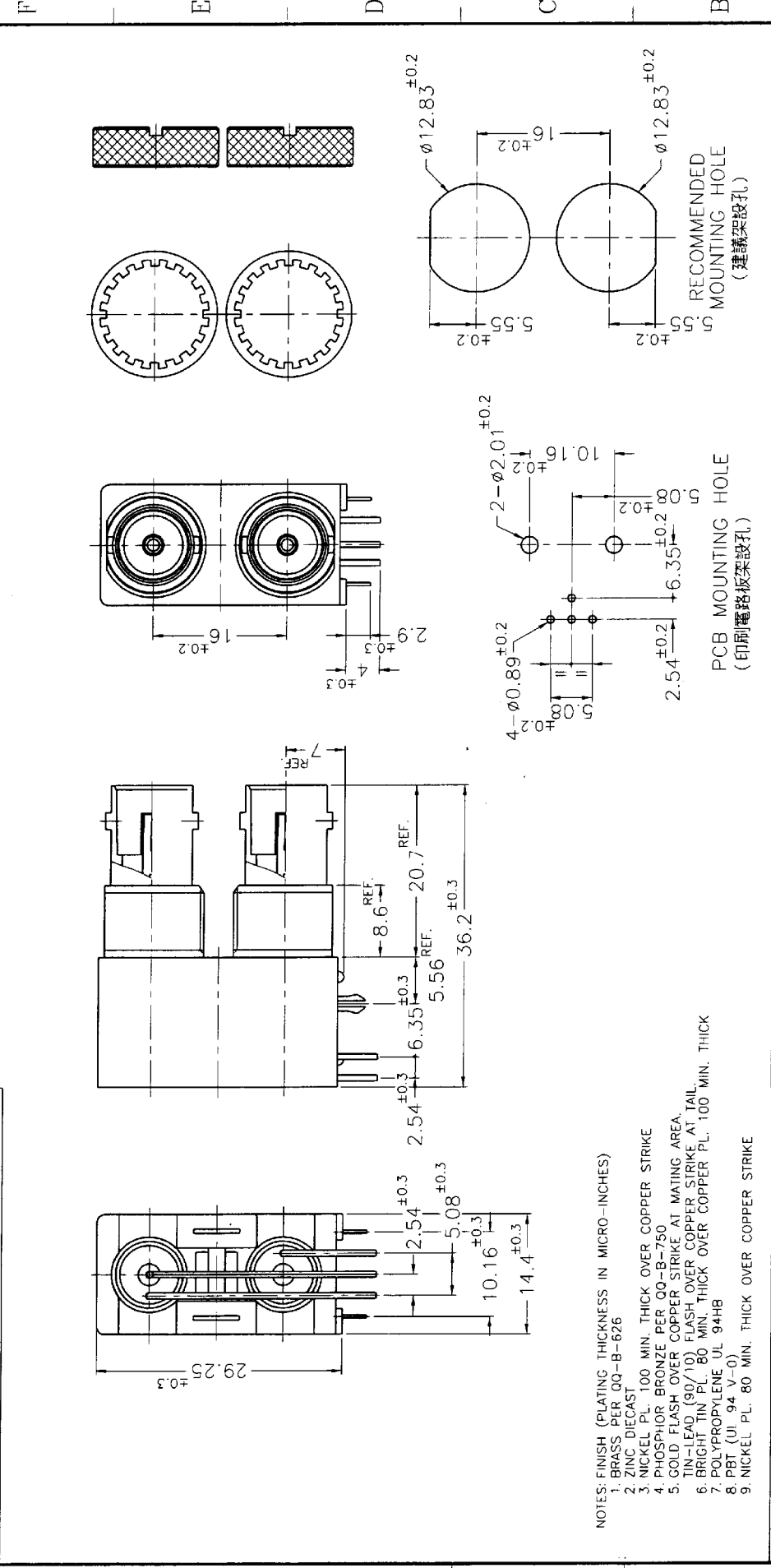


1 2 3 4 5 6 7 8

REVISIONS	
ISS	DESCRIPTION\PER REQUEST\DATE
A2	B-7 MOUNTING HOLE WAS CHANGED\N/A\09-08-03'



- NOTES: FINISH (PLATING THICKNESS IN MICRO-INCHES)
1. BRASS PER QQ-B-626
  2. ZINC DIECAST
  3. NICKEL PL. 100 MIN. THICK OVER COPPER STRIKE
  4. PHOSPHOR BRONZE PER QQ-B-750
  5. GOLD FLASH OVER COPPER STRIKE AT MATING AREA.
  6. TIN-LEAD (90/10) FLASH OVER COPPER STRIKE AT TAIL.
  7. BRIGHT TIN PL. 80 MIN. THICK OVER COPPER PL. 100 MIN. THICK
  8. PBT (UI 94 V-0)
  9. NICKEL PL. 80 MIN. THICK OVER COPPER STRIKE

NUT		NOTE 1		NOTE 9		NOTE 2	
LOCK WASHER	SS0C	NOTE 9	2	NOTE 9	2	NOTE 9	2
MOUNTING POST	NOTE 1	NOTE 6	2	NOTE 6	2	NOTE 6	2
POST	COPPER	NOTE 6	1	NOTE 6	1	NOTE 6	1
HOUSING	NOTE 8	NATURAL	1	NATURAL	1	NATURAL	1
CONTACT PIN	NOTE 4	NOTE 5		NOTE 5		NOTE 5	
INSULATOR	NOTE 7	NATURAL		NATURAL		NATURAL	
BODY	NOTE 2	NOTE 3	2	NOTE 3	2	NOTE 3	2
NO. DESCRIPTION	MATERIAL	FINISH	QTY	DRAWING NO.			
1			2				
DIMENSIONS ARE IN MILLIMETERS		PART NO.		APPROVED		DATE	
UNLESS OTHERWISE SPECIFIED		TOLERANCES		0.5-6 = ±0.2		09-08-03'	
		6-30 = ±0.4		30-120 = ±0.6		DATE	
		120-315 = ±1		315-1000 = ±1.6		DATE	
		1000-2000 = ±2.4		DATE		DATE	
SCALE 1.5/1		ISSUE A2		FILE NO. F:\DWG\B\705004\75\NPB3G		DATE	
		4		09-08-03'		DATE	
		3		09-08-03'		DATE	
		2		09-08-03'		DATE	
		1		09-08-03'		DATE	
		8		09-08-03'		DATE	
		7		09-08-03'		DATE	
		6		09-08-03'		DATE	
		5		09-08-03'		DATE	
		4		09-08-03'		DATE	
		3		09-08-03'		DATE	
		2		09-08-03'		DATE	
		1		09-08-03'		DATE	
		8		09-08-03'		DATE	
		7		09-08-03'		DATE	
		6		09-08-03'		DATE	
		5		09-08-03'		DATE	
		4		09-08-03'		DATE	
		3		09-08-03'		DATE	
		2		09-08-03'		DATE	
		1		09-08-03'		DATE	
		8		09-08-03'		DATE	
		7		09-08-03'		DATE	
		6		09-08-03'		DATE	
		5		09-08-03'		DATE	
		4		09-08-03'		DATE	
		3		09-08-03'		DATE	
		2		09-08-03'		DATE	
		1		09-08-03'		DATE	
		8		09-08-03'		DATE	
		7		09-08-03'		DATE	
		6		09-08-03'		DATE	
		5		09-08-03'		DATE	
		4		09-08-03'		DATE	
		3		09-08-03'		DATE	
		2		09-08-03'		DATE	
		1		09-08-03'		DATE	
		8		09-08-03'		DATE	
		7		09-08-03'		DATE	
		6		09-08-03'		DATE	
		5		09-08-03'		DATE	
		4		09-08-03'		DATE	
		3		09-08-03'		DATE	
		2		09-08-03'		DATE	
		1		09-08-03'		DATE	
		8		09-08-03'		DATE	
		7		09-08-03'		DATE	
		6		09-08-03'		DATE	
		5		09-08-03'		DATE	
		4		09-08-03'		DATE	
		3		09-08-03'		DATE	
		2		09-08-03'		DATE	
		1		09-08-03'		DATE	
		8		09-08-03'		DATE	
		7		09-08-03'		DATE	
		6		09-08-03'		DATE	
		5		09-08-03'		DATE	
		4		09-08-03'		DATE	
		3		09-08-03'		DATE	
		2		09-08-03'		DATE	
		1		09-08-03'		DATE	
		8		09-08-03'		DATE	
		7		09-08-03'		DATE	
		6		09-08-03'		DATE	
		5		09-08-03'		DATE	
		4		09-08-03'		DATE	
		3		09-08-03'		DATE	
		2		09-08-03'		DATE	
		1		09-08-03'		DATE	
		8		09-08-03'		DATE	
		7		09-08-03'		DATE	
		6		09-08-03'		DATE	
		5		09-08-03'		DATE	
		4		09-08-03'		DATE	
		3		09-08-03'		DATE	
		2		09-08-03'		DATE	
		1		09-08-03'		DATE	
		8		09-08-03'		DATE	
		7		09-08-03'		DATE	
		6		09-08-03'		DATE	
		5		09-08-03'		DATE	
		4		09-08-03'		DATE	
		3		09-08-03'		DATE	
		2		09-08-03'		DATE	
		1		09-08-03'		DATE	
		8		09-08-03'		DATE	
		7		09-08-03'		DATE	
		6		09-08-03'		DATE	
		5		09-08-03'		DATE	
		4		09-08-03'		DATE	
		3		09-08-03'		DATE	
		2		09-08-03'		DATE	
		1		09-08-03'		DATE	
		8		09-08-03'		DATE	
		7		09-08-03'		DATE	
		6		09-08-03'		DATE	
		5		09-08-03'		DATE	
		4		09-08-03'		DATE	
		3		09-08-03'		DATE	
		2		09-08-03'		DATE	
		1		09-08-03'		DATE	
		8		09-08-03'		DATE	
		7		09-08-03'		DATE	
		6		09-08-03'		DATE	
		5		09-08-03'		DATE	
		4		09-08-03'		DATE	
		3		09-08-03'		DATE	
		2		09-08-03'		DATE	
		1		09-08-03'		DATE	
		8		09-08-03'		DATE	
		7		09-08-03'		DATE	
		6		09-08-03'		DATE	
		5		09-08-03'		DATE	
		4		09-08-03'		DATE	
		3		09-08-03'		DATE	
		2		09-08-03'		DATE	
		1		09-08-03'		DATE	
		8		09-08-03'		DATE	
		7		09-08-03'		DATE	
		6		09-08-03'		DATE	
		5		09-08-03'		DATE	
		4		09-08-03'		DATE	
		3		09-08-03'		DATE	
		2		09-08-03'		DATE	
		1		09-08-03'		DATE	
		8		09-08-03'		DATE	
		7		09-08-03'		DATE	
		6		09-08-03'		DATE	
		5		09-08-03'		DATE	
		4		09-08-03'		DATE	
		3		09-08-03'		DATE	
		2		09-08-03'		DATE	
		1		09-08-03'		DATE	
		8		09-08-03'		DATE	
		7		09-08-03'		DATE	
		6		09-08-03'		DATE	
		5		09-08-03'		DATE	
		4		09-08-03'		DATE	
		3		09-08-03'		DATE	
		2		09-08-03'		DATE	
		1		09-08-03'		DATE	
		8		09-08-03'		DATE	
		7		09-08-03'		DATE	
		6		09-08-03'		DATE	
		5		09-08-03'		DATE	
		4		09-08-03'		DATE	
		3		09-08-03'		DATE	
		2		09-08-03'		DATE	
		1		09-08-03'		DATE	
		8		09-08-03'		DATE	
		7		09-08-03'		DATE	
		6		09-08-03'		DATE	
		5		09-08-03'		DATE	
		4		09-08-03'		DATE	
		3		09-08-03'		DATE	
		2		09-08-03'		DATE	
		1		09-08-03'		DATE	
		8		09-08-03'		DATE	
		7		09-08-03'		DATE	
		6		09-08-03'		DATE	
		5		09-08-03'		DATE	
		4		09-08-03'		DATE	
		3		09-08-03'		DATE	
		2		09-08-03'		DATE	
		1		09-08-03'		DATE	
		8		09-08-03'		DATE	
		7		09-08-03'		DATE	
		6		09-08-03'		DATE	
		5		09-08-03'		DATE	
		4		09-08-03'		DATE	
		3		09-08-03'		DATE	
		2		09-08-03'		DATE	
		1		09-08-03'		DATE	
		8		09-08-03'		DATE	
		7		09-08-03'		DATE	
		6		09-08-03'		DATE	
		5		09-08-03'		DATE	
		4		09-08-03'		DATE	
		3		09-08-03'		DATE	
		2		09-08-03'		DATE	
		1		09-08-03'		DATE	
		8		09-08-03'		DATE	
		7		09-08-03'		DATE	
		6		09-08-03'		DATE	
		5		09-08-03'		DATE	
		4		09-08-03'		DATE	
		3		09-08-03'		DATE	
		2		09-08-03'		DATE	
		1		09-08-03'		DATE	
		8		09-08-03'		DATE	
		7		09-08-03'		DATE	
		6		09-08-03'		DATE	
		5		09-08-03'		DATE	
		4		09-08-03'		DATE	
		3		09-08-03'		DATE	
		2		09-08-03'		DATE	
		1		09-08-03'		DATE	
		8		09-08-03'		DATE	
		7		09-08-03'		DATE	
		6		09-08-03'		DATE	
		5		09-08-03'		DATE	
		4		09-08-03'			