

# Plug & Play™ Systems MT-RJ Connector Trunks

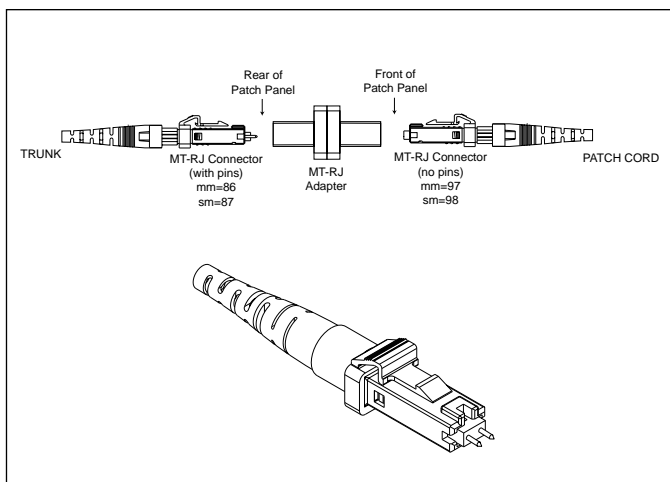
A LANscape® Solutions Product



**CORNING**

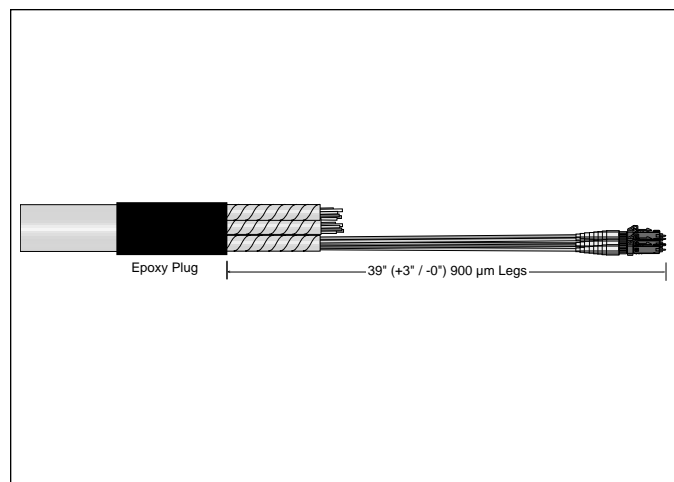
Discovering Beyond Imagination

**Corning  
Cable Systems**



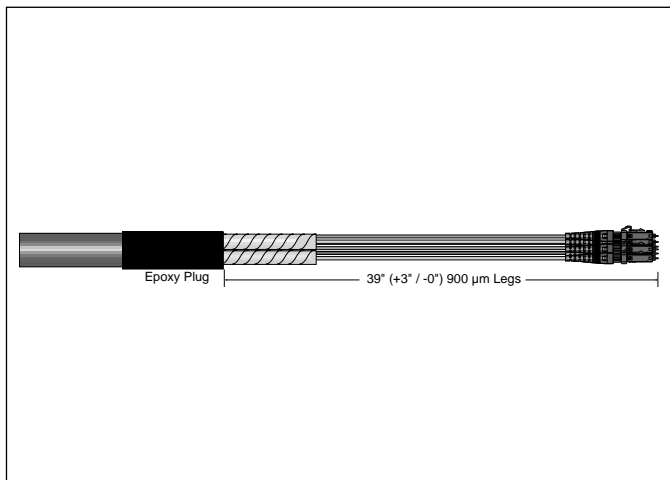
MT-RJ Pinned Connector

Drawing CPC-220\_6\_17/16



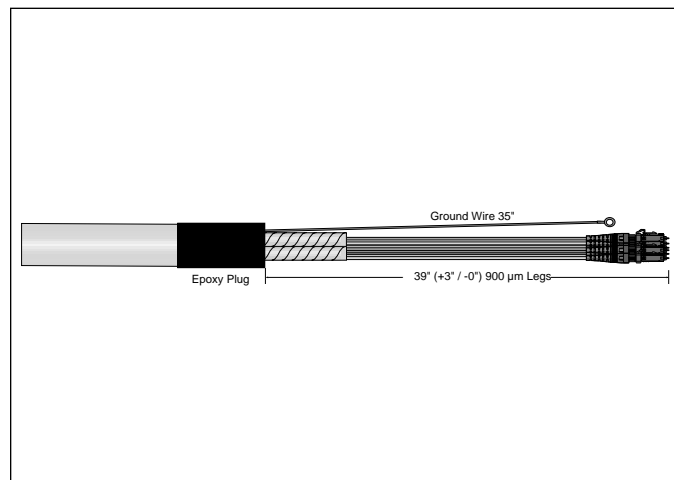
Unitized MIC Cable Furcation (36, 48, 72, 96, and 144 fibers)

Drawing CPC-220\_6\_19



MIC® Cable Furcation (12 and 24 fibers)

Drawing CPC-220\_6\_18



Interlocking Armored MIC Cable (12, 24, and 36 fibers)

Drawing CPC-220\_6\_20

# Plug & Play™ Systems MT-RJ Connector Trunks

A LANscape® Solutions Product

Please use the following options to construct the part number.

App Grip	Connectors Grip End		Hardware End		Fiber Count	Fiber Type	Cable Type	Hardware Type		Cable Length		
<input type="checkbox"/>	<input type="checkbox"/>	<input type="checkbox"/>	<input type="checkbox"/>	<input type="checkbox"/>	<input type="checkbox"/>	<input type="checkbox"/>	<input type="checkbox"/>	<input type="checkbox"/>	<input type="checkbox"/>	<input type="checkbox"/>	<input type="checkbox"/>	<input type="checkbox"/>
<b>1</b>	<b>2</b>		<b>3</b>		<b>4</b>	<b>5</b>	<b>6</b>		<b>7</b>		<b>8</b>	

## 1 Select Application and Grip.

- A = **Connectorized Cable**  
Connectors: Both Ends  
Grip: One End  
Hardware: None
- B = **Jumper** (with Grip both ends)  
Connectors: Both Ends  
Grip: Both Ends  
Hardware: None
- P = **Plug & Play™ System**  
Connectors: Both Ends  
Grip: One End  
Hardware: Hardware End Only

## 2 Select Connector Type on Grip End.

### Single-mode Connectors

87 = MT-RJ Pinned\*

### Multimode Connectors

86 = MT-RJ Pinned\*

*\*Note: Most Plug & Play applications are for backbone cabling and will require a pinned MT-RJ connector. If non-pinned connectors are required, please contact Customer Service.*

## 3 Select Connector Type on Hardware End.

### Single-mode Connectors

87 = MT-RJ Pinned\*

### Multimode Connectors

86 = MT-RJ Pinned\*

*\*Note: Most Plug & Play applications are for backbone cabling and will require a pinned MT-RJ connector. If non-pinned connectors are required, please contact Customer Service.*

## 4 Select Standard Fiber Count.

- 12 = 12-fiber  
24 = 24-fiber  
36 = 36-fiber  
48 = 48-fiber  
72 = 72-fiber  
96 = 96-fiber  
E4 = 144-fiber

## 5 Select Fiber Type.

- K = 62.5/125 µm InfiniCor® 300  
C = 50/125 µm InfiniCor 600  
R = Single-mode

## 6 Select Cable Type.

- 88 = MIC® Plenum Cable  
AP = MIC Interlocking Armored Plenum Cable (12, 24, 36 fibers)

## 7 Select Hardware Type.

- C1 = CCH 01U  
C2 = CCH 02U  
C3 = CCH 03U  
C4 = CCH 04U  
H2 = WCH 02P  
H4 = WCH 04P  
H6 = WCH 06P  
H8 = WCH 08P  
HT = WCH 12P  
00 = No Hardware

## 8 Select Cable Length in Feet.

Standard cable lengths available up to 500 feet in five foot increments. Longer cable lengths are subject to greater lead times. Assembly lengths are measured from furcation plug-to-furcation plug.

*Note: Alternative cable options are subject to greater lead times.*

## Product Specifications

Fiber Count	Grip Size	Minimum Duct Space Requirement
12 to 72	2.0 in	2.5 in
96 to 144	2.7 in	4.0 in

Corning Cable Systems LLC • PO Box 489 • Hickory, NC 28603-0489 USA  
1-800-743-2675 • FAX:828-901-5973 • International: 828-901-5000  
<http://www.corning.com/cablesystems> • Corning Cable Systems reserves the right to improve, enhance, and modify the features and specifications of Corning Cable Systems' products without prior notification. LANscape and MIC are registered trademarks of Corning Cable Systems Brands, Inc. Plug & Play is a trademark of Corning Cable Systems Brands, Inc. InfiniCor is a registered trademark of Corning Incorporated. All other trademarks are the properties of their respective owners. Corning Cable Systems is ISO 9001 certified. © 2001 Corning Cable Systems. All Rights Reserved. Printed in USA. LAN.269.EN / November 2001 / 1.425M

Corning Cable Systems



Fiber Cabling Solutions for Premises Networks