

# LOW PROFILE LEADED CERAMIC RESONATOR

HWZT-RS

\*C = Pb in ceramic (exempt per RoHS 2002/95/EC Annex (7)) \***C/RoHS**  
Compliant



## FEATURES:

- Low resonant impedance.
- Small size, Light weight.
- Low cost timing solution.

## APPLICATIONS:

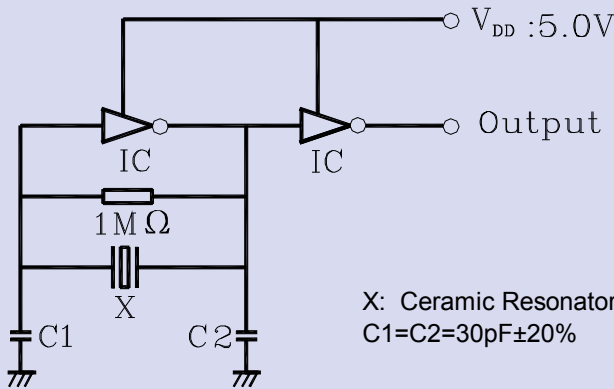
- Clock oscillation for microcontrollers
- Telephones
- Household electric appliances

## STANDARD SPECIFICATIONS:

Item	Requirement
Frequency Range	4.00MHz to 8.00MHz
Resonant Impedance	30 ( $\Omega$ ) max
Frequency Tolerance	$\pm 0.5\%$
Frequency Stability	$\pm 0.3\%$ max. (-25°C to +85°C)*
Withstanding Voltage	50V (DC , 1 min)
Rating Voltage	
(1) D.C.Voltage	6 V.D.C. max
(2) A.C. Voltage	15 Vp-p. max
Load Capacitance	30pF $\pm 20\%$ (C1=C2)
Insulation Resistance	500M $\Omega$ min. (DC 10V)
Operation Temperature	-25°C to +85°C*
Storage Temperature	-40°C to +85°C
Aging Rate (Fosc)	$\pm 0.3\%$ max. (From initial value)

\* Please contact ABRACON for tighter stability and/or wider temperature range

## TEST CONDITION AND TEST CIRCUIT:



Parts shall be measured under a condition (Temp.: 20 $\pm 15^\circ$ C, Humidity: 65 $\pm 20\%$  R.H.) unless the standard condition (Temp: 25 $\pm 2^\circ$ C, Humidity: 65 $\pm 5\%$  R.H.) is regulated to measure

## OPTIONS & PART IDENTIFICATION:

HWZT - X.XXRS - □

**Frequency**  
Frequency in MHz

**Packaging**  
Blank for Bulk pack  
A for AMMO pack\*

\* AMMO pack lead length 13.5mm

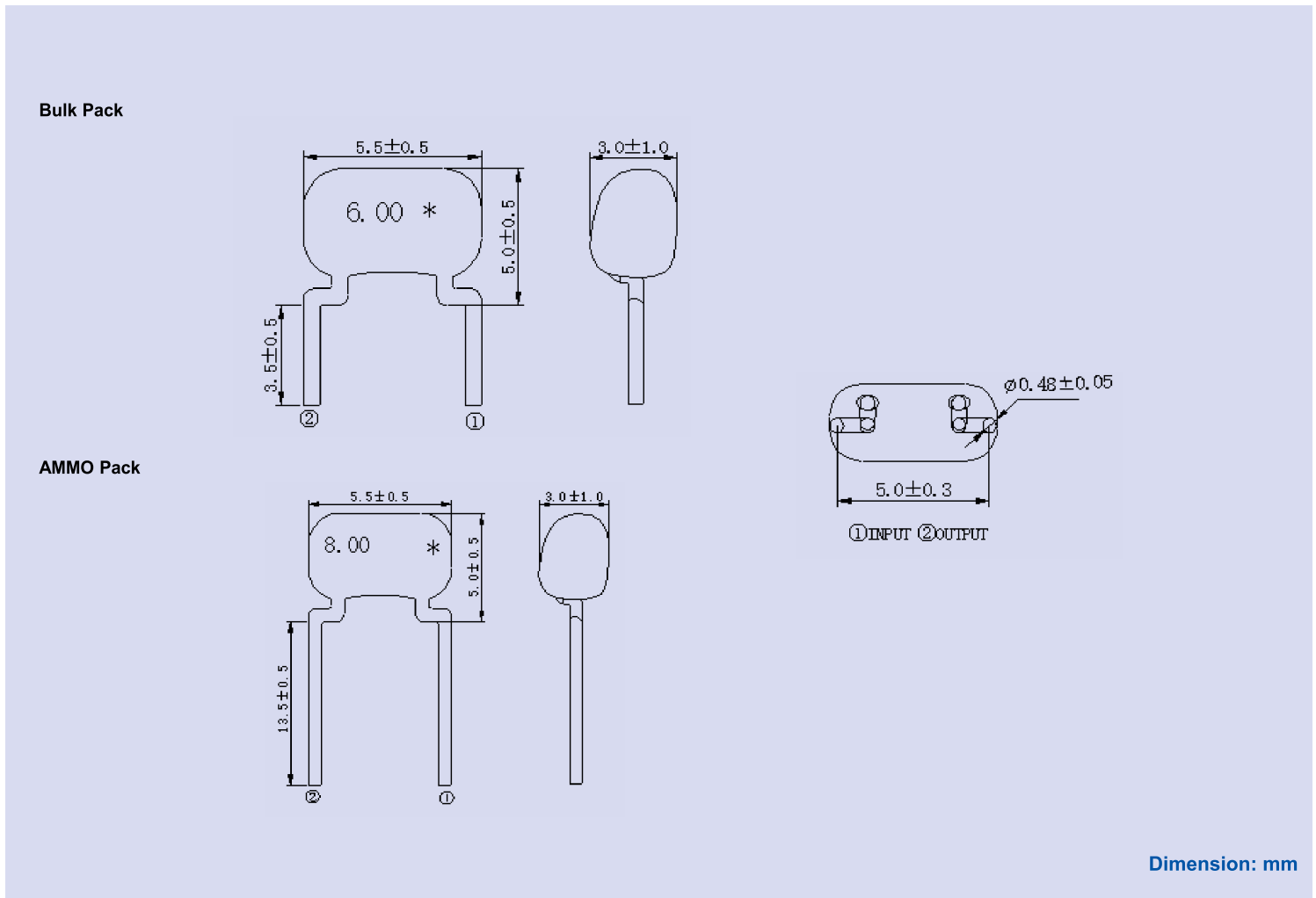
# LOW PROFILE LEADED CERAMIC RESONATOR

HWZT-RS

\*C = Pb in ceramic (exempt per RoHS 2002/95/EC Annex (7)) \*C/RoHS Compliant



## ➤ OUTLINE DRAWING:



## ➤ CAUTION

- Do not apply excess mechanical stress to the component body or terminations. Do not attempt to re-form or bend the components as this will cause damage to the component.
- This component is not hermetically sealed. Do not clean or wash the component.
- Reflow soldering: Do not use strong acidity flux, such as flux with chlorine content of greater than 0.2wt% during reflow Soldering.
- Do not expose the component to open flame.
- This specification applies to the functionality of the component as a single unit. Customers are advised to insure that the component is thoroughly evaluated in the particular application.
- Shelf life: The warranted shelf life of this product is six months after the delivery date under the conditions of sealed, unopened, original packaging.
- Storage conditions: If the product is to be stored for a period greater than six months after the delivery date, it is recommended that customers confirm the solderability and characteristics for the product prior to use.
- This product is not recommended for use in the following applications: Automotive, Medical, Military, Safety, or any other high-reliability, life-dependant application. Contact Abracon Corporation prior to using this product when in doubt.