

**SPECIFICATIONS**

**Mechanical**

**Contact Mating Force:** 4.54kg (10.0Lb) max.  
**Contact Unmating Force:** 0.34kg (0.75Lb) min.  
**Contact Retention Force:** 1.82kg (4.0Lb) min.

**Electrical**

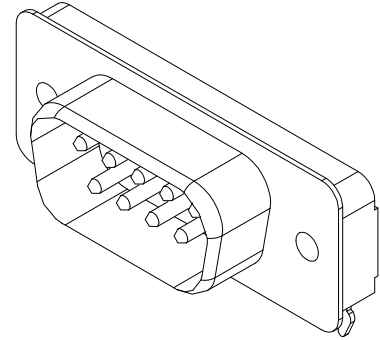
**Current Rating:** 3.0A  
**Contact Resistance:** 15mW max.  
**Dielectric Withstanding Voltage:** 1000V AC/1min min.  
**Insulation Resistance:** 5000MW

**Physical**

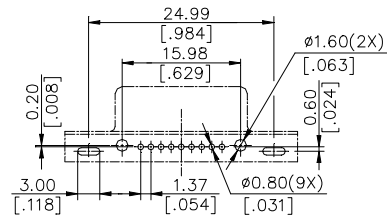
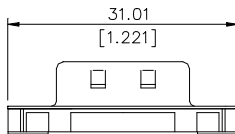
**Housing:** Thermoplastic, UL 94V-0 rated in Black Color  
**Contact:** Copper alloy  
**Plating:** See "ORDERING INFORMATION"  
**Solder Pad:** Copper alloy  
**Operating Temperature:** -55 to +105

**D-SUB Connector**

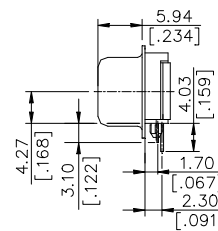
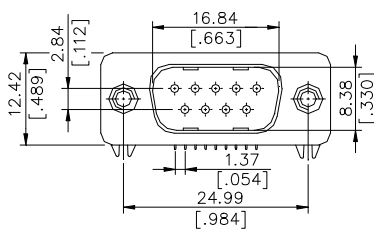
**DZ Series**  
**Right Angle Type, T/H**  
**1.37mm [.054"] Pitch**  
**9 Pos.**



**DRAWING**



RECOMMENDED P.C.B. LAYOUT



**ORDERING INFORMATION**

**PRODUCT NO.: DZ 1 0 1 9 \* - H7RE - 4F**

