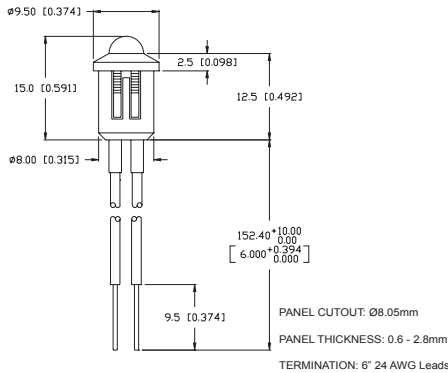


# LED Indicators ~ Panel ~ Dome Lens



## SSI-LXR5010XD-150 Series

## T-5mm Black Panel Indicator, Protruded LED, 6" Leads



### FEATURES / OPTIONS

- ▶ State-of-the-Art, High Brightness LED Chip Technology
- ▶ Choice of LED Colors and Lens Finishes
- ▶ Bi-Color Styles Optional
- ▶ Insulated Lead Lengths Optional
- ▶ Easy Two-Step Installation, Rear and Front of Panel
- ▶ Small Volumes Acceptable
- ▶ Available Without Insulated Leads (Bare LED Pins)
- ▶ Blinking LED
- ▶ With Internal Resistor for 5V and 12V Operation
- ▶ With Connector

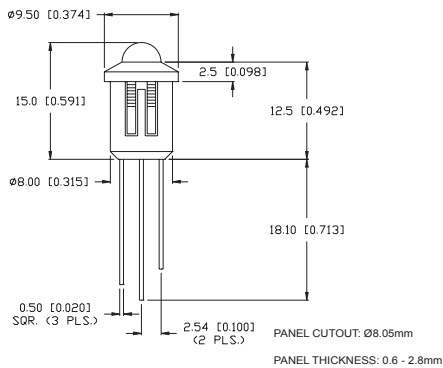
### APPLICATIONS / USES

- ▶ Front Panel Status Indicators
- ▶ Alarm/Warning Indicators
- ▶ Front Panel Circuit Fault Indicators
- ▶ Instrument Control Panels
- ▶ Medical Diagnostics Indicators
- ▶ Industrial Automation Control Panels

Lumex Part Number	Die Material	Emitted Color	Peak (nm)	Lens	Operating Current (mA)	Operating TYP. Vf (V)	Brightness TYP. Mcd	@ mA	View Angle° 2θ	Component LED Used
<b>HIGH BRIGHTNESS</b>										
SSI-LXR5010SID-150	AllnGaP	Super High Intensity Red	636	Red Diffused	5-25	2	700	20	60	SSL-LX5093SID
SSI-LXR5010SOD-150	AllnGaP	Super Orange	610	Orange Diffused	5-25	2	850	20	60	SSL-LX5093SOD
SSI-LXR5010SUGD150	AllnGaP	Super Ultra Green	574	Green Diffused	5-25	2.2	170	20	60	SSL-LX5093SUGD
SSI-LXR5010SYD-150	AllnGaP	Super Yellow	590	Yellow Diffused	5-25	2	300	20	60	SSL-LX5093SYD
SSI-LXR5010USBD150	InGaN/SiC	Ultra Super Blue	470	Blue Diffused	5-25	3.5	300	20	60	SSL-LX5093USBD
SSI-LXR5010UWW-150	InGaN/SiC	Ultra White	-	White Diffused	5-25	3.5	650	20	30	SSL-LX5093UWW
<b>STANDARD BRIGHTNESS</b>										
SSI-LXR5010GD-150	GaP	Green	565	Green diffused	5-25	2.2	30	20	60	SSL-LX5093GD
SSI-LXR5010ID-150	GaAsP	High Intensity Red	635	Red Diffused	5-25	2.0	30	20	60	SSL-LX5093ID
SSI-LXR5010SRD/D15	GaAlAs	Super Red	660	Red Diffused	5-25	1.7	250	20	60	SSL-LX5093SRD/D
SSI-LXR5010YD-150	GaAsP	Yellow	585	Yellow Diffused	5-25	2.1	30	20	60	SSL-LX5093YD

## SSI-LXR5010XX-3

## T-5mm Black Panel Indicator, 3-Leaded Protruded LED



### FEATURES / OPTIONS

- ▶ State-of-the-Art, High Brightness LED Chip Technology
- ▶ Choice of LED Colors and Lens Finishes
- ▶ Bi-Color Styles Optional
- ▶ Insulated Lead Lengths Optional
- ▶ Easy Two-Step Installation, Rear and Front of Panel
- ▶ Small Volumes Acceptable
- ▶ Wire Leads Termination
- ▶ Blinking LED
- ▶ With Internal Resistor for 5V and 12V Operation
- ▶ With Connector
- ▶ Common Anode Version

### APPLICATIONS / USES

- ▶ Front Panel Status Indicators
- ▶ Alarm/Warning Indicators
- ▶ Front Panel Circuit Fault Indicators
- ▶ Instrument Control Panels
- ▶ Medical Diagnostics Indicators
- ▶ Industrial Automation Control Panels

Lumex Part Number	Die Material	Emitted Color	Peak (nm)	Lens	Operating Current (mA)	Operating TYP. Vf (V)	Brightness TYP. Mcd	@ mA	View Angle° 2θ	Component LED Used
SSI-LXR5010IGW-3	GaAsP	High Intensity Red	635	Milky White	5-25	2.0	45	20	60	SSL-LX5099IGW
	GaP	Green	565	Diffused	5-25	2.2	45	20		
SSI-LXR5010IYW-3	GaAsP	High Intensity Red	635	Milky White	5-25	2.0	55	20	60	SSL-LX5099IYW
	GaAsP	Yellow	585	Diffused	5-25	2.1	40	20		
SSI-LXR5010SISUGW3	AllnGaP	Super High Intensity Red	636	Milky White	5-25	2	700	20	60	SSL-LX5099SISUGW
	AllnGaP	Super Ultra Green	574	Diffused	5-25	2.2	200	20		
SSI-LXR5010SISYW-3	AllnGaP	Super High Intensity Red	636	Milky White	5-25	2	800	20	60	SSL-LX5099SISYW
	AllnGaP	Super Yellow	590	Diffused	5-25	2	400	20		
SSI-LXR5010SRSGW-3	GaAlAs	Super Red	660	Milky White	5-25	1.7	200	20	60	SSL-LX5099SRSGW
	GaP	Super Green	565	Diffused	5-25	2.2	60	20		
SSI-LXR5010SYSUGW3	AllnGaP	Super Yellow	590	Milky White	5-25	2.0	400	20	60	SSL-LX5099SYSUGW
	AllnGaP	Super Ultra Green	574	Diffused	5-25	2.2	200	20		
SSI-LXR5010YGW-3	GaAsP	Yellow	585	Milky White	5-25	2.1	40	20	60	SSL-LX5099YGW
	GaP	Green	565	Diffused	5-25	2.2	45	20		



USA/Canada +1-800-278-5666  
Europe +49-6081-964380  
Asia +886-3-5821124



[www.lumex.com](http://www.lumex.com)



USA/Canada +1-847-359-8904  
Europe +49-6081-964381  
Asia +886-3-5821154

- 1
- 2
- 3
- 4
- 5
- 6
- 7
- 8
- 9
- 10
- 11
- 12
- 13
- 14
- 15
- 16
- 17
- 18
- 19
- 20
- 21
- 22
- 23
- 24
- 25
- 26
- 27
- 28
- 29