

# LED Numeric Displays (LB)

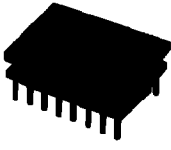
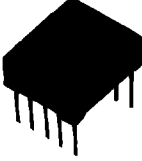
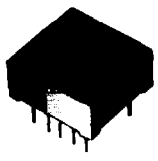
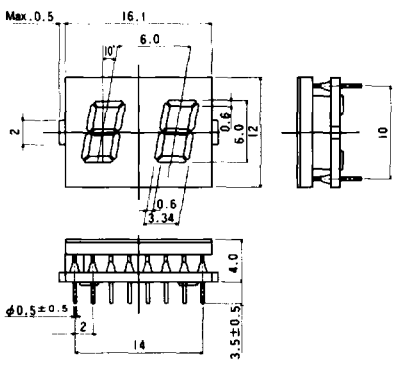
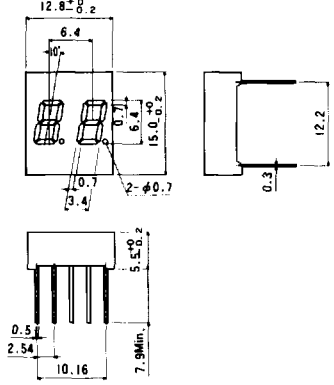
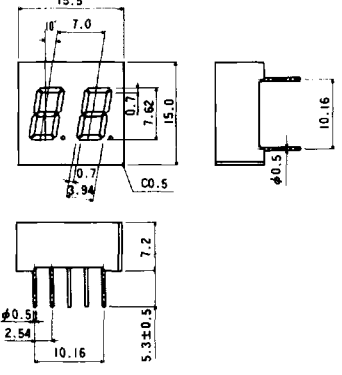
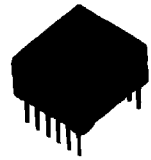
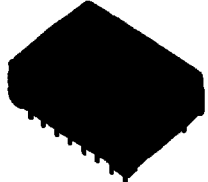
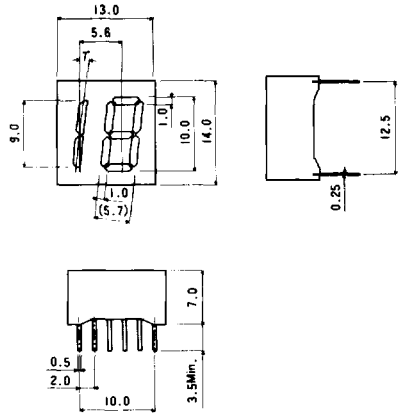
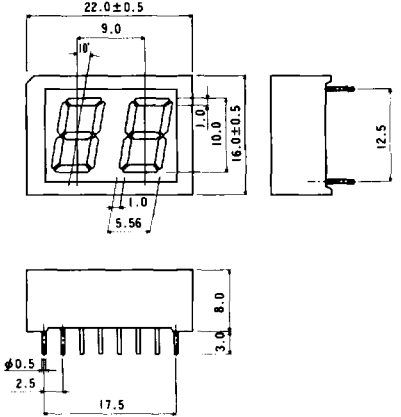
## ● Two or Three Digit LED Numeric Displays (LB)

Digit count	Character (outer dimensions)	Common	Emitting color	Red	Orange	Yellow	Green	Basic ordering unit	Quantity / package	Quantity / bag	Rank
			Emitting material	GaAsP on GaP							
			λ p (nm)	650	610	585	563				
Two Digit	6 (12 × 16.2)	Anode	LB-202VD *3	LB-202DD *3	LB-202YD *3	LB-202MD *3	50	50	50	○	
		Cathode	LB-202VN *3	LB-202DN	LB-202YN *3	LB-202MN *3					
	6.4 (12.8 × 15)	Anode	LB-202VB	LB-202DB	LB-202YB *3	LB-202MB	100	100	100	◎	
		Cathode	LB-202VL	LB-202DL	LB-202YL *3	LB-202ML					
	7.62 (15.5 × 15)	Anode	LB-302VF *3 / VF1 *3 *5	LB-302DF *3 / DF1 *3 *5	LB-302YF *3 / YF1 *3 *5	LB-302MF *3 / MF1 *3 *5	500	500	500	○	
		Cathode	LB-302VP *3 / VP1 *3 *5	LB-302DP *3 / DP1 *3 *5	LB-302YP *3 / YP1 *3 *5	LB-302MP *3 / MP1 *3 *5					
	10 (13 × 14)	Anode	LB-402LC *2 *3	—	—	—	200	200	200	○	
		Cathode	LB-402LM *2 *3	—	—	—					
	10 (22 × 16)	Anode	LB-402VA	LB-402DA *3	—	LB-402MA	70	70	70	○	
		Cathode	LB-402VK	LB-402DK *3	—	LB-402MK					
	10.16 (24 × 18)	Anode	LB-402VD	LB-402DD *3	LB-402YD *3	LB-402MD	40	40	40	◎	
		Cathode	LB-402VN	LB-402DN *3	LB-402YN *3	LB-402MN					
	13 (25 × 17.5)	Anode	LB-502VD	LB-502DD *3	—	LB-502MD	40	40	40	◎	
		Cathode	LB-502VN	LB-502DN *3	—	LB-502MN					
14.3 (25 × 19)	Anode	LB-602VA2	LB-602DA2	LB-602YA2 *3	LB-602MA2	300	300	300	◎		
	Cathode	LB-602VK2	LB-602DK2	LB-602YK2 *3	LB-602MK2						
14.22 (25.0 × 19)	Anode	LB-6710 / 6910 *1 *4	LB-6610 *1 *3	LB-6810 *1 *3	LB-6410 *1	300	300	300	○		
	Cathode	LB-6740 / 6940 *1 *4	LB-6640 *1 *3	LB-6840 *1 *3	LB-6440 *1						
Three Digit	6.4 (19.2 × 15)	Anode	LB-203VB	LB-203DB *3	LB-203YB *3	LB-203MB	80	80	80	◎	
		Cathode	LB-203VL	LB-203DL *3	LB-203YL *3	LB-203ML					
	8 (22 × 13)	Anode	LB-303VA *3	LB-303DA *3	—	LB-303MA *3	100	100	100	○	
		Cathode	LB-303VK *3	LB-303DK *3	—	LB-303MK *3					
	10.16 (33 × 16)	Anode	LB-403VD *3	LB-403DD *3	LB-403YD *3	LB-403MD *3	60	60	60	○	
		Cathode	LB-403VN *3	LB-403DN *3	—	LB-403MN *3					
	10 (26 × 16)	Anode	LB-403VF1 *3	LB-403DF1 *3	—	LB-403MF1 *3	90	90	90	○	
		Cathode	—	—	—	—					
	14.3 (37.5 × 18)	Anode	LB-603VF	—	—	LB-603MF	200	200	200	○	
		Cathode	LB-603VP	—	—	LB-603MP					

Note : \*1 Surface finished gray \*2 Emitting material : GaAlAs λp : 660nm \*3 Need a certain lead time for delivery \*4 λp : 635nm \*5 DP unit

◎ : Standard products ○ : Semi-standard products

(Unit : mm)

LB-202VD/DD/YD/MD/VN/DN/YN/MN	LB-202VB/DB/YB/MB/VL/DL/YL/ML	LB-302VF/VF1/DF/DF1/YF/YF1/MF/MF1/VP/VP1 /DP/DP1/YP/YP1/MP/MP1
		
		
LB-402LC/LM	LB-402VA/DA/MA/VK/DK/MK	
		
		

LED Numeric Displays

LED

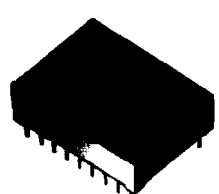
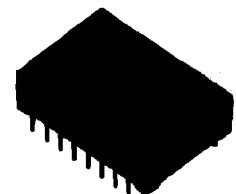
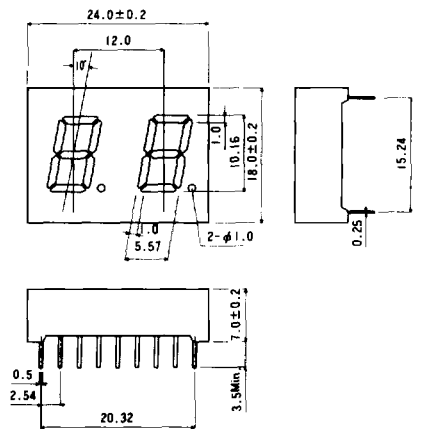
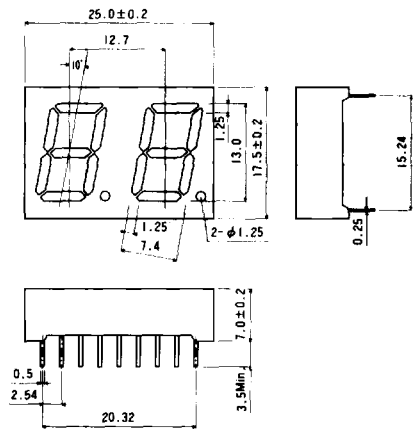
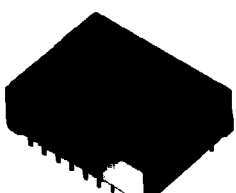
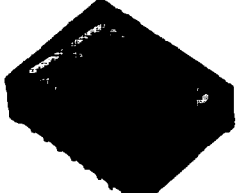
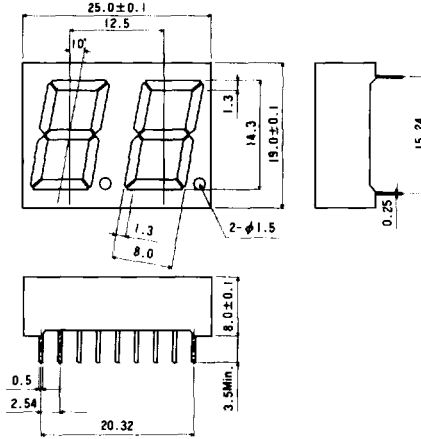
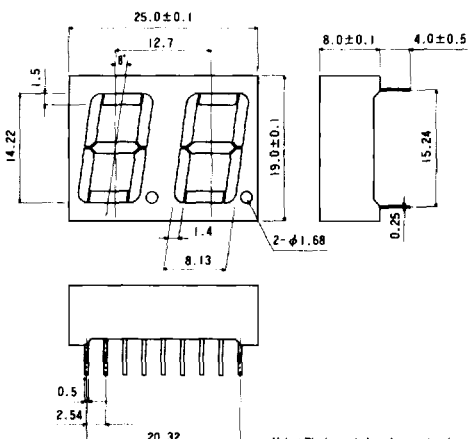
Product Description

Page 234

# LED Numeric Displays (LB)

## ● Two or Three Digit LED Numeric Displays (LB)

(Unit : mm)

LB-402VD/DD/YD/MD/VN/DN/YN/MN	LB-502VD/DD/MD/VN/DN/MN
	
	
LB-602VA2/DA2/YA2/MA2/VK2/DK2/YK2/MK2	LB-6710/6910/6610/6810/6410/6740/6940/6640/6840/6440
	
	

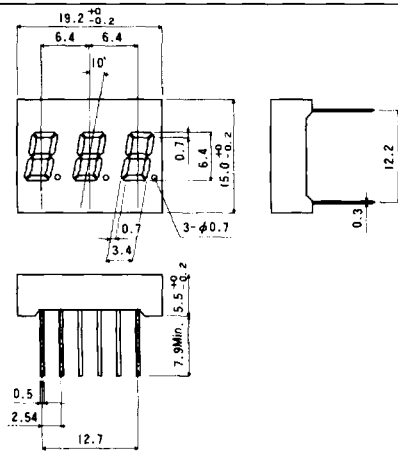
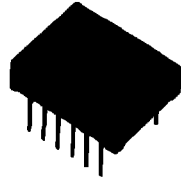
Note : Black coated surface colored segments LB-6710/6740 only

(Unit : mm)

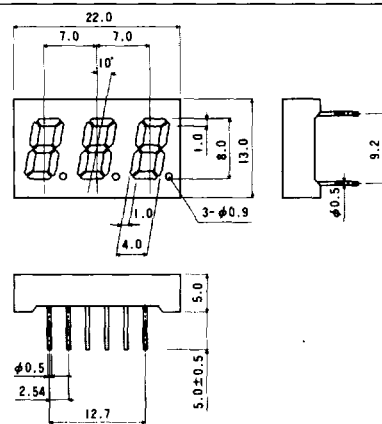
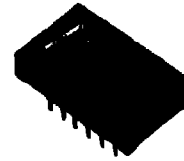
LED Numeric Displays

LED

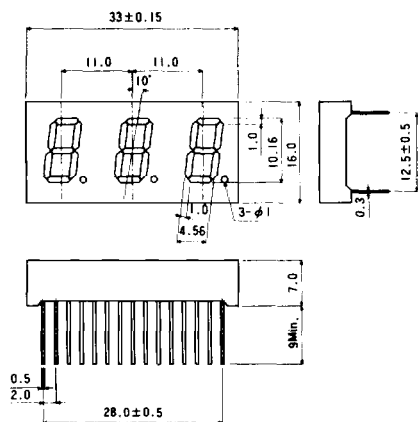
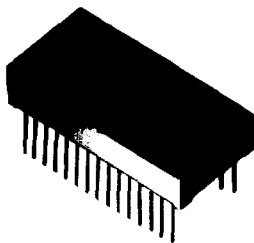
LB-203VB/DB/YB/MB/VL/DL/YL/ML



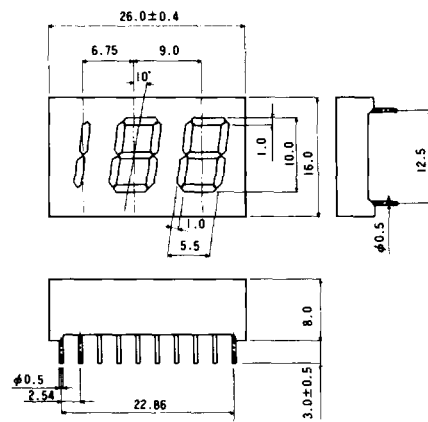
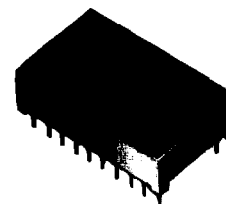
LB-303VA/DA/MA/VK/DK/MK



LB-403VD/DD/YD/MD/VN/DN/MN



LB-403VF1/403DF1/403MF1



# LED Numeric Displays (LB)

●Two or Three Digit LED Numeric Displays (LB) (Unit : mm)

