

TYPE R FEMALE EXPANDED INVERSE DIN PCB CONNECTOR (150 POSITION)



PHYSICAL PROPERTIES

INSULATION MATERIAL: Glass filled thermoplastic rated UL 94V-0, compatible with vapor phase soldering

COLOR: Gray

CONTACTS: Copper alloy, nickel plate overall, gold finish in contact zone. Tin/lead on solder tails, tin/lead or gold on posts.

ELECTRICAL PROPERTIES

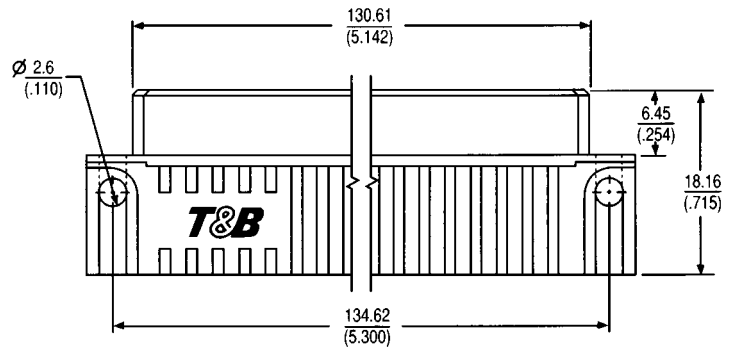
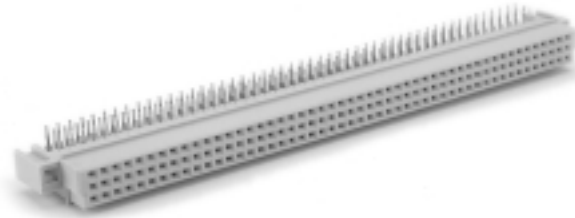
CURRENT RATING: 2 Amps per pin

INSULATION RESISTANCE: $>1 \times 10^9$ Ohms

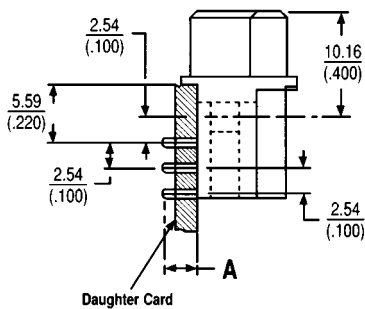
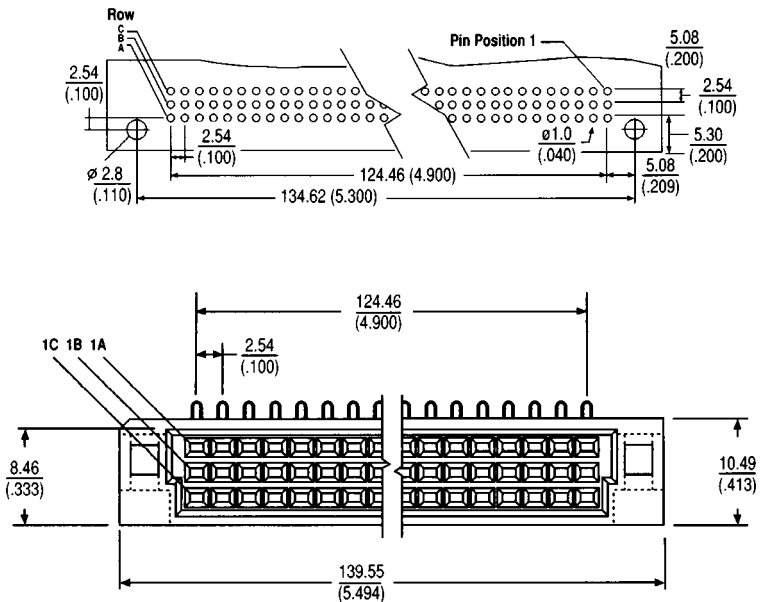
DIELECTRIC STRENGTH: >500 VDC at sea level

ENVIRONMENTAL PROPERTIES

TEMPERATURE RATING: -55°C TO 125°C



Recommended Printed Circuit Board Layout



Ordering Information

NO. OF CONTACTS	CONTACT LOADING	CATALOG NO.	TERMINATION STYLE	MM (INCHES)
150	a, b, c 1, 2, 3 -50	FXR150-012-2 A = 3.0 (.118)	Solder Tail	0.6 x 0.25 (.024 x .010)

