



23024 Universal Top-Load Socket

FEATURES & BENEFITS

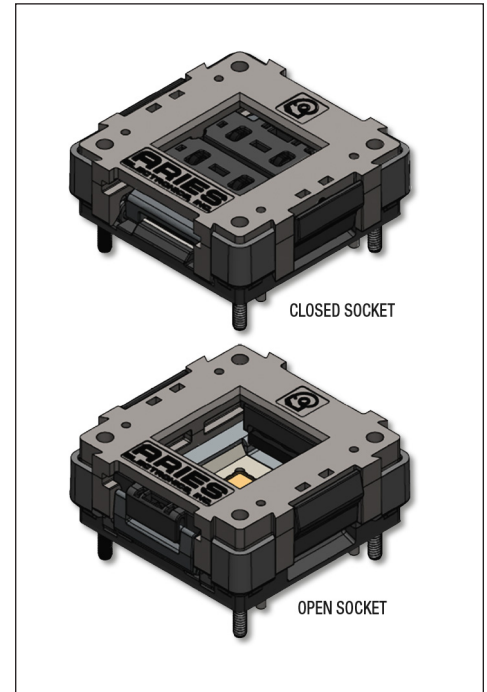
- Universal: Socket accommodates ANY SMT device, from 3 to 18mm²
- Can be used for Burn-In, HAST, HOLT and Auto-test applications
- Open socket by squeezing dual latches and pushing down anywhere on the top
- Close socket by pushing straight down anywhere on the top
- A “hard stop” is built into the socket to prevent over-compression
- Dual latches keeps the socket closed
- Latch can be removed enabling the socket to open when force is removed
- A “set” of sockets can all be closed at one time by pushing on the tops
- Socket is normally “open” without the need to be “pushed down” to load device

APPLICATIONS

- Burn-in
- Dynamic Burn-in
- Programming
- Characterization & Test
- Custom Applications
- Automated Test or Burn-in
- HAST
- RF versions available with Kapton elastomer interposer or spring probes

GENERAL SPECIFICATIONS

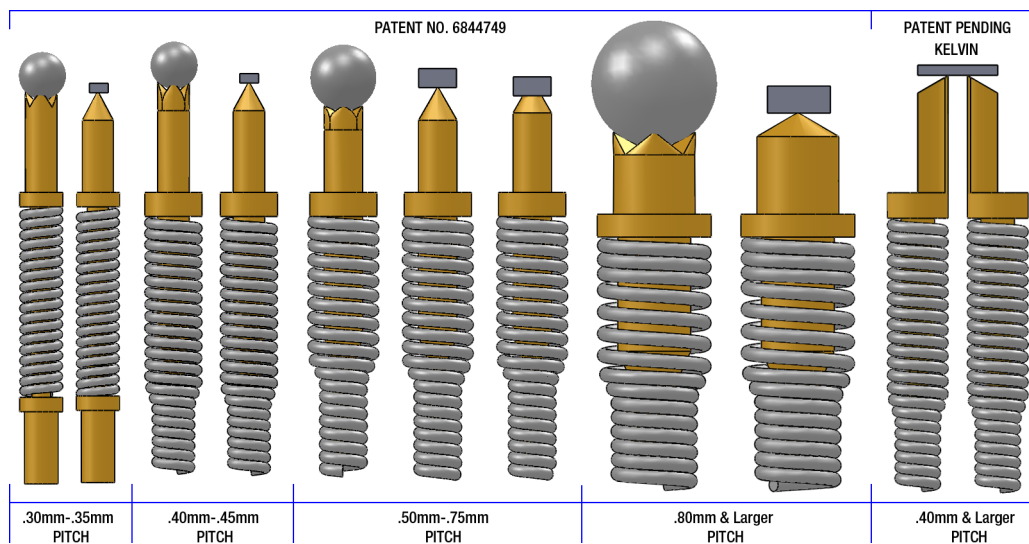
- BODY MATERIAL: Ultem® 20% Glass-filled
- HARDWARE: Stainless Steel
- CONTACT: Au-plated BeCu
- OPERATING TEMPERATURE: -55°C to 150°C [-67° to 302°]



CUSTOMIZATION: In addition to the standard products shown on this page, Aries specializes in custom design and production. Special materials, platings, sizes, and configurations can be furnished, depending on the quantity. **NOTE:** Aries reserves the right to change product general specifications without notice.

ORDERING INFORMATION

Consult Factory



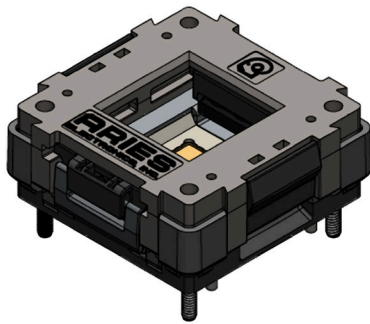
Bristol, PA 19007-6810 USA
 TEL (215) 781-9956 • FAX (215) 781-9845
 WWW.ARIESELEC.COM • INFO@ARIESELEC.COM



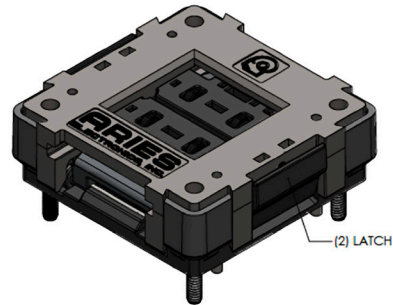
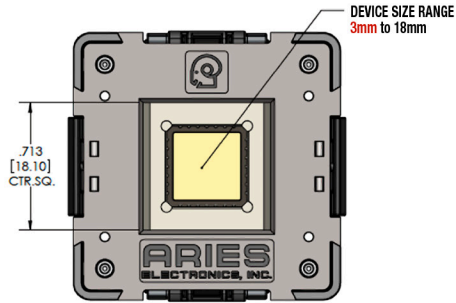
PRINTOUTS OF THIS DOCUMENT MAY BE OUT OF DATE AND SHOULD BE CONSIDERED UNCONTROLLED



23024 Top-Load Socket

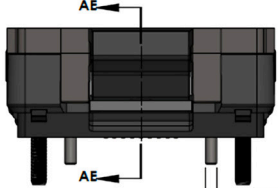


OPEN SOCKET

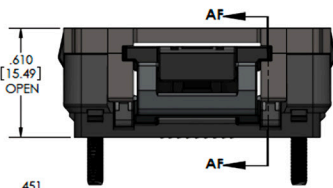


CLOSED SOCKET

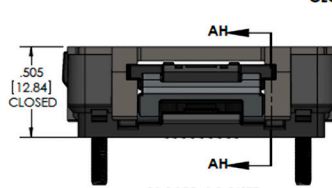
(2) LATCH



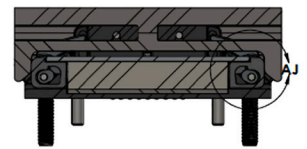
SECTION AE-AE



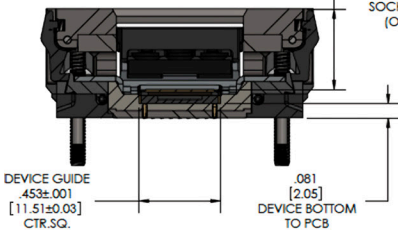
SECTION AF-AF



CLOSED SOCKET



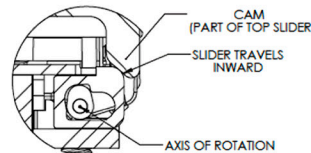
SECTION AH-AH



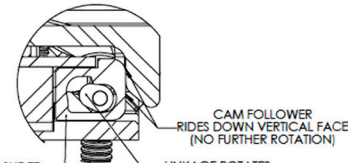
DEVICE GUIDE
.453±.001
[11.51±0.03]
CTR.SQ.

.081
[2.05]
DEVICE BOTTOM
TO PCB

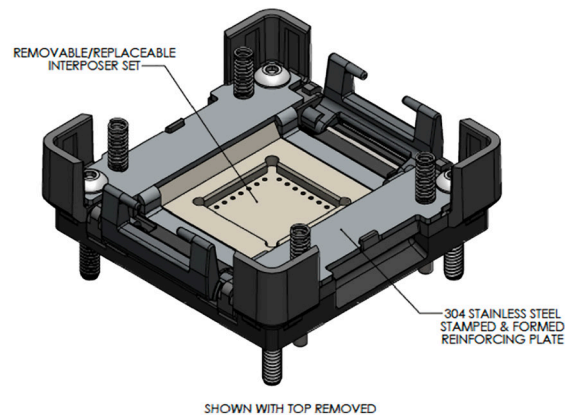
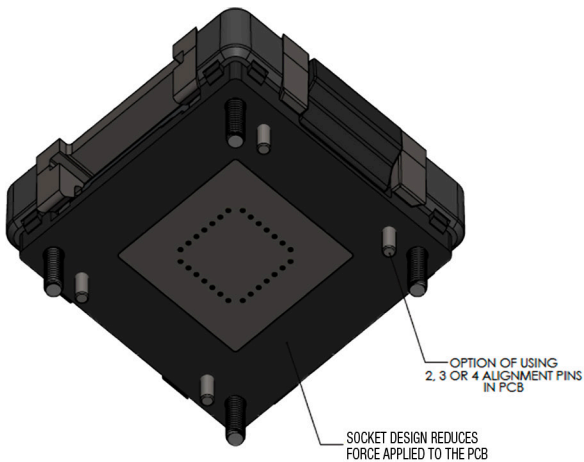
.451
[11.45]
DEVICE TO
SOCKET TOP
(OPEN)



DETAIL AG
OPEN SOCKET
SCALE 4 : 1



DETAIL AJ
CLOSED SOCKET
SCALE 4 : 1



ALL DIMENSIONS: INCHES [MILLIMETERS]
ALL TOLERANCES: ±0.005 [0.13] UNLESS OTHERWISE SPECIFIED
CONSULT FACTORY FOR OTHER SIZES AND CONFIGURATIONS



Bristol, PA 19007-6810 USA
TEL (215) 781-9956 • FAX (215) 781-9845
WWW.ARIESELEC.COM • INFO@ARIESELEC.COM

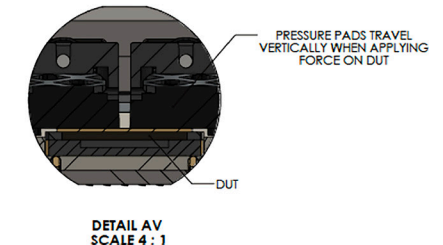
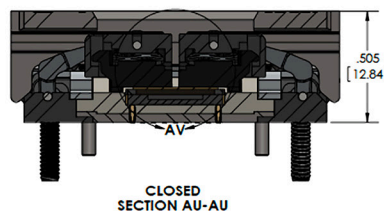
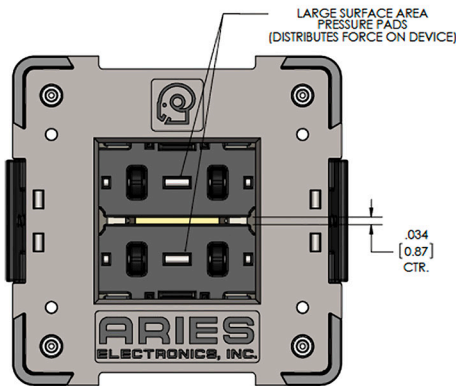
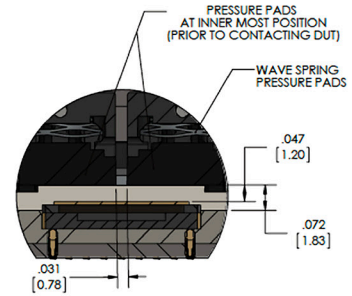
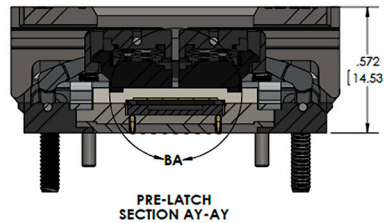
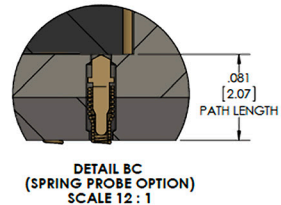
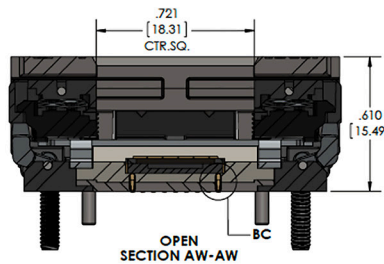
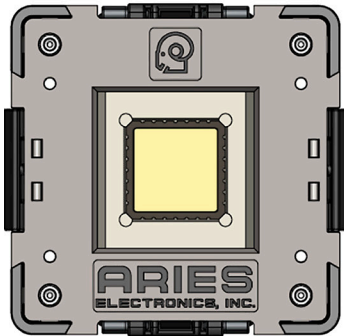
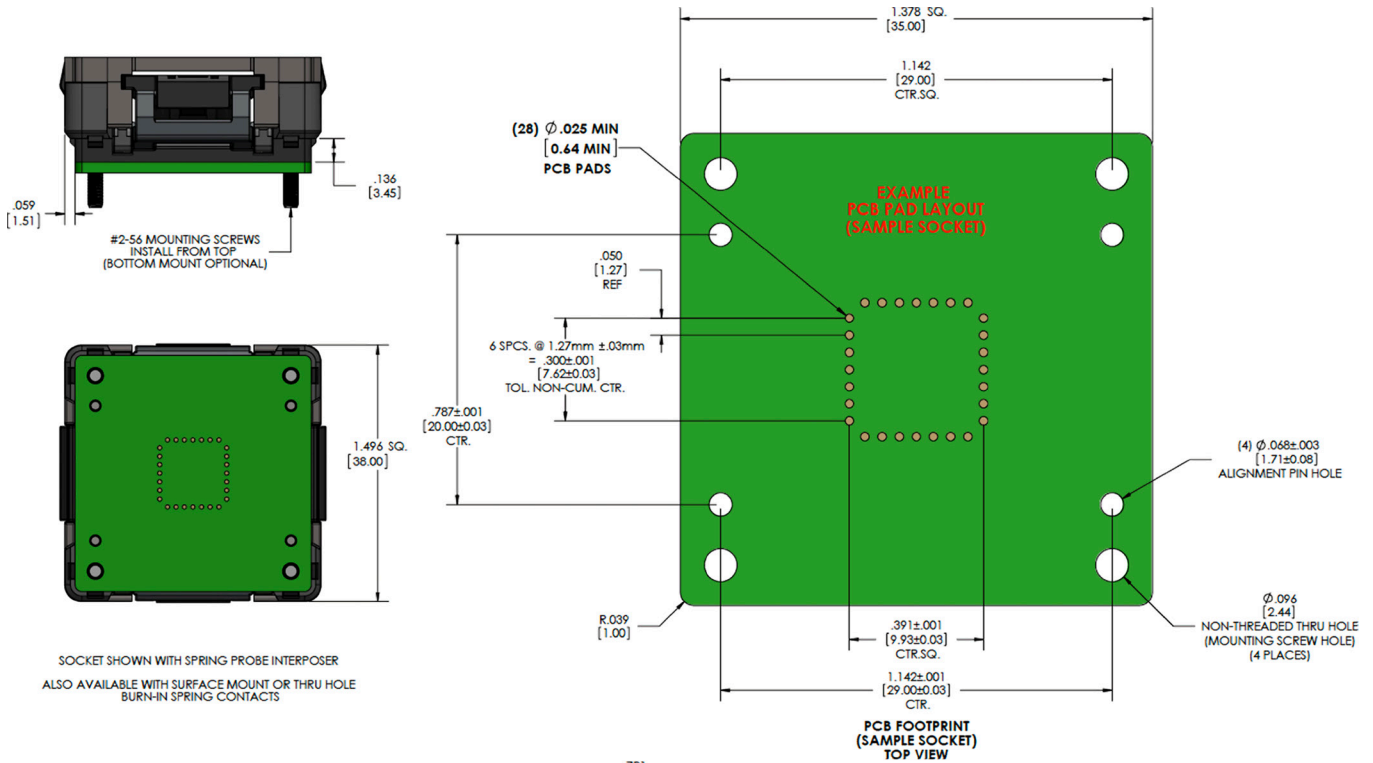


PRINTOUTS OF THIS DOCUMENT MAY BE OUT OF DATE AND SHOULD BE CONSIDERED UNCONTROLLED

23024
2 of 3
Rev. EE



23024 Top-Load Socket



Bristol, PA 19007-6810 USA
 TEL (215) 781-9956 • FAX (215) 781-9845
 WWW.ARIESELEC.COM • INFO@ARIESELEC.COM

