

DBF71B001

2.4GHz Wireless LAN & Bluetooth

Inquiry

Application

for 2.4GHz Wireless LAN & Bluetooth

Characteristics

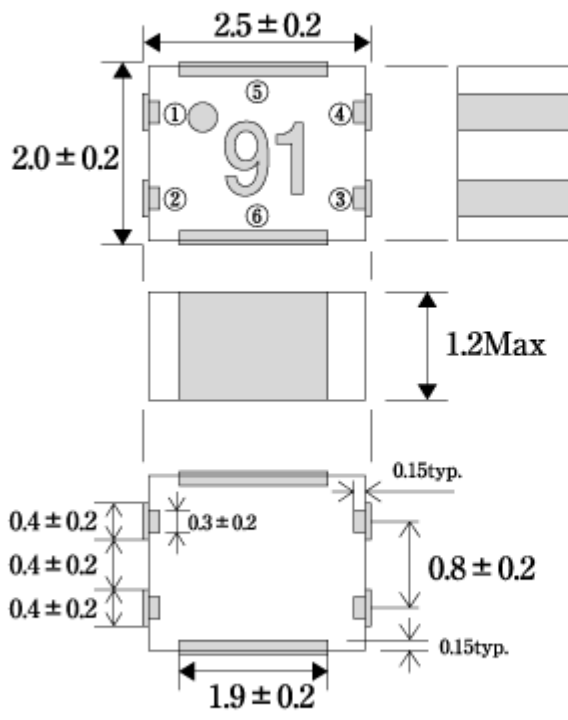
DBF71B001	
Unbalance impedance	50 ohm Nominal
Balance impedance	100 ohm Nominal
Center frequency	2450MHz
Pass band	2400-2500MHz
Insertion loss	3.0 dB max (2400-2500MHz at 25 Deg.C)
	3.3 dB max (2400-2500MHz at -40 up to +85 Deg.C)
Ripple	1.0 dB max (2400-2500MHz)
Unbalance port V.S.W.R	2.0 max (2400-2500MHz)
Attenuation	48 dB min (880-960MHz)
	48 dB min (1710-1980MHz)
	40 dB min (1880-1980MHz)
	25 dB min (2110-2170MHz)
	30 dB min (4800-5000MHz)
	30 dB min (7200-7500MHz) Reference
Amplitude balance	1.0 dB max (2400-2500MHz)
Phase differential	175-185 Deg. (2400-2500MHz at 25Deg.C)
	172-188 Deg. (2400-2500MHz at -40 up to +85 Deg.C)

Number of ordered pieces

2000pcs/Reel

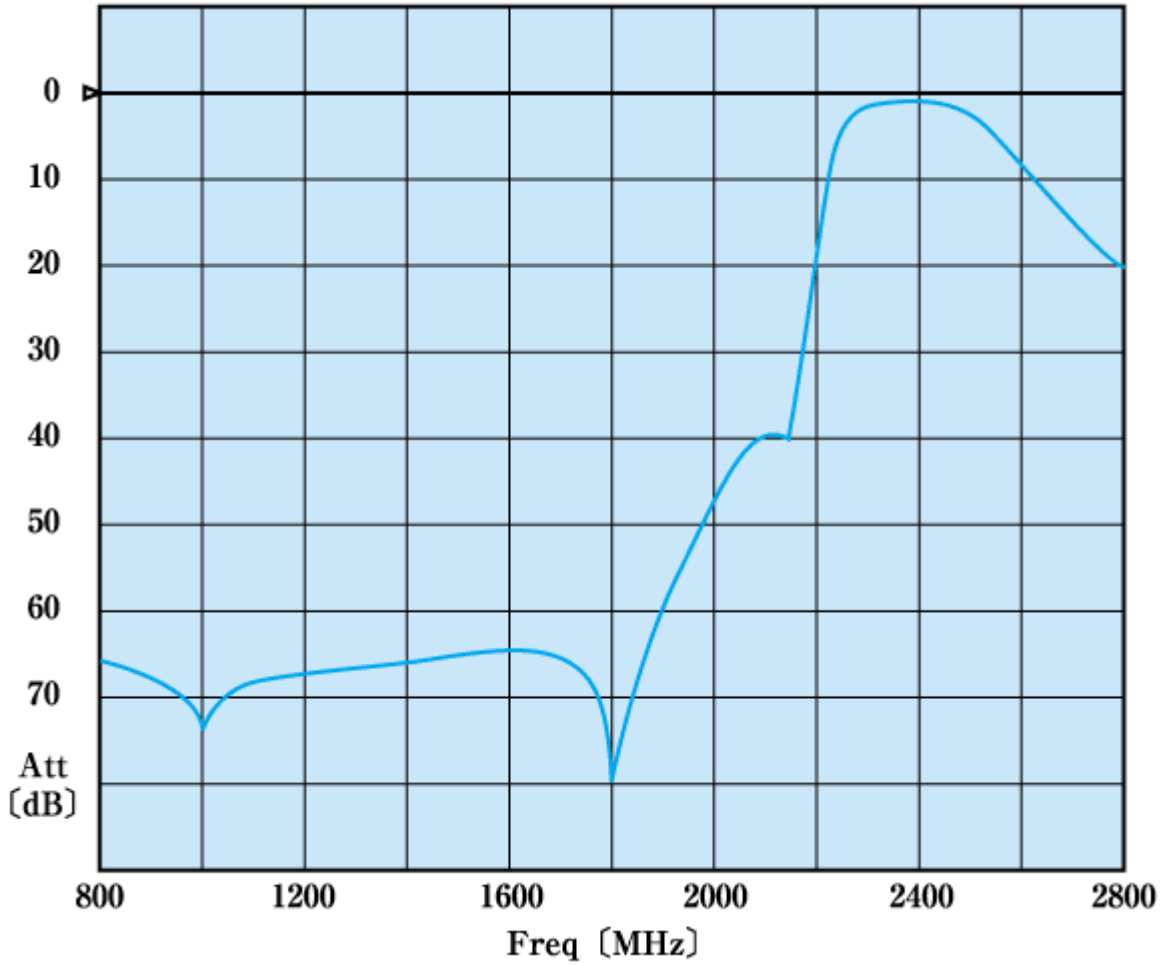
Dimensions

Dimensions (Unit : mm)

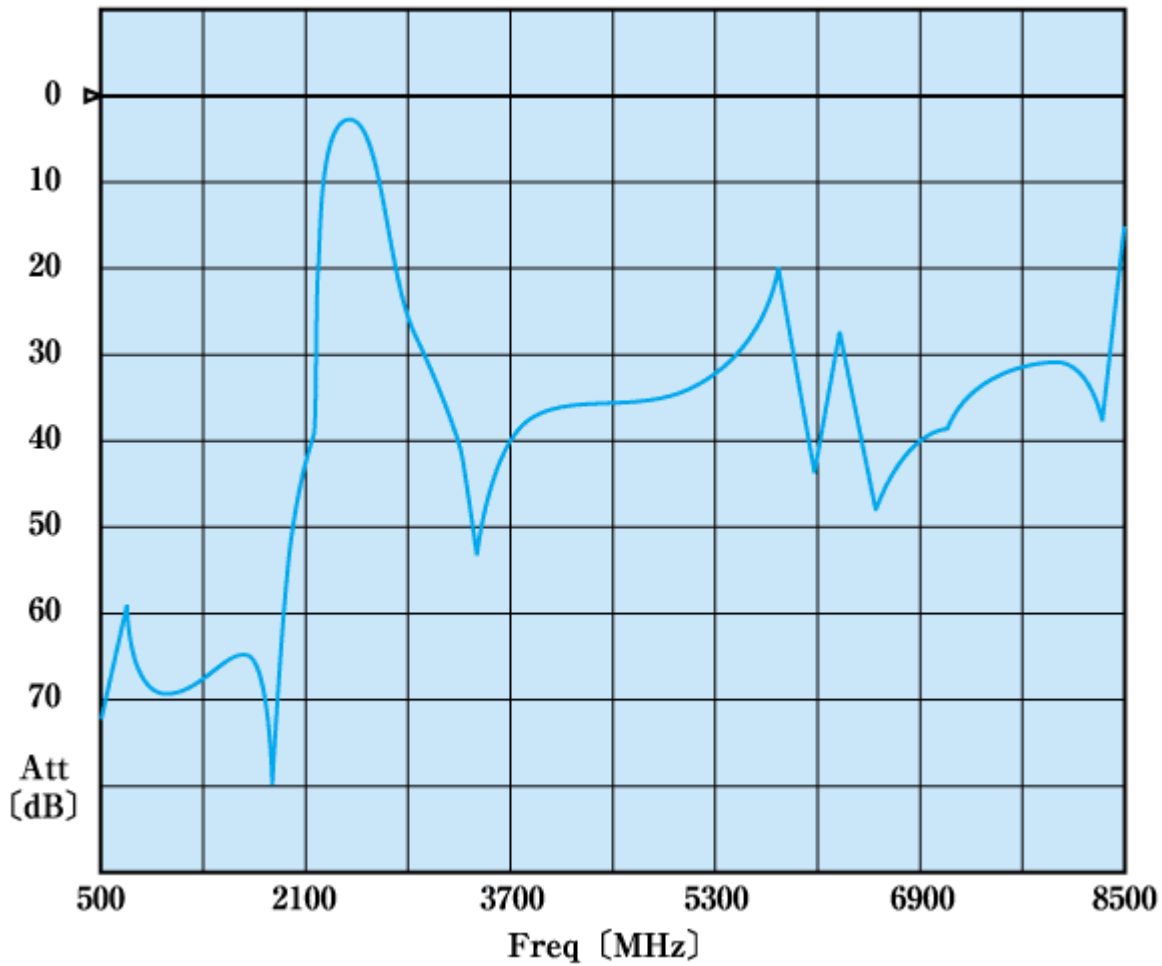


Terminal	
①	Unbalance
②	DC
③	Balance
④	Balance
⑤	GND
⑥	GND

Frequency Data1



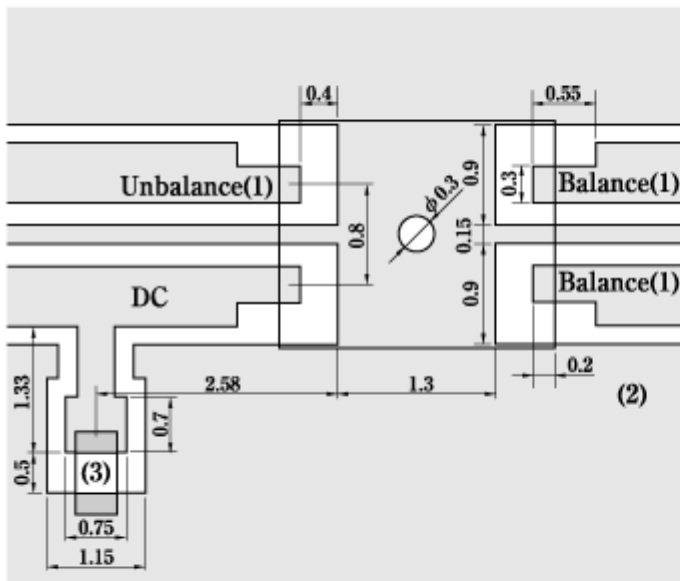
Frequency Data2



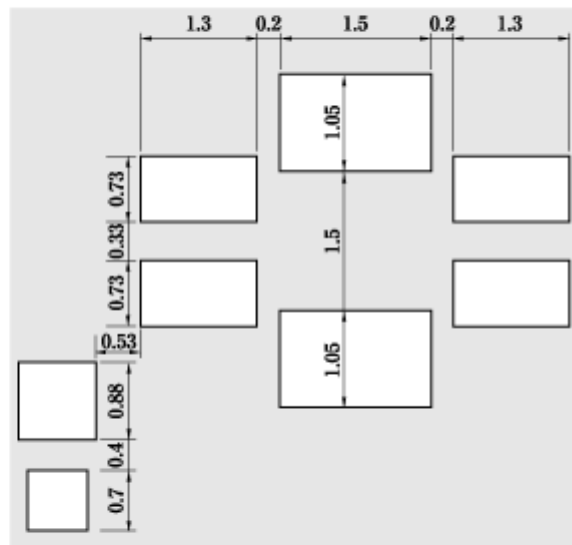
Recommended Patterns

Balance Filter For Bluetooth & Wireless LAN
TYPE No. : DBF71B001 (With DC Terminal)
Recommended Pattern (Unit : mm)

Land Pattern



Resist Pattern



- (1) 50 ohm Impedance Line
- (2) Ground Plane
- (3) Decoupling Capacitor = 100pF

