

**PLEASE CHECK WWW.MOLEX.COM FOR LATEST PART INFORMATION**

**Part Number:** [0855687884](#)  
**Status:** **Active**  
**Overview:** [modular\\_plugs\\_jacks](#)  
**Description:** Modular Plug, Short Body, Shielded, 8/8, Red Boot, Cat6

**Documents:**

[3D Model](#) [Product Specification PS-85568-001 \(PDF\)](#)  
[Drawing \(PDF\)](#) [RoHS Certificate of Compliance \(PDF\)](#)

**Agency Certification**

CSA LR19980  
 UL E107635

**General**

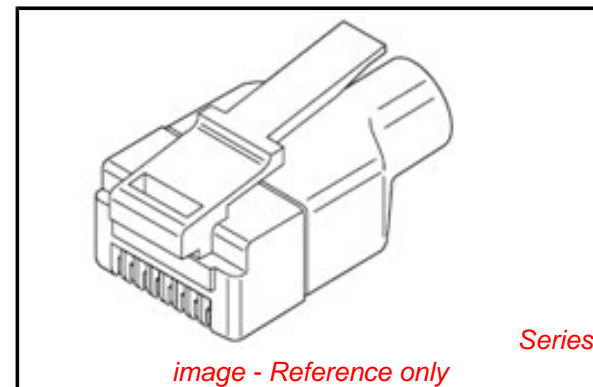
Product Family Modular Jacks/Plugs  
 Series [85568](#)  
 Component Type Wire Plug  
 Magnetic No  
 Overview [modular\\_plugs\\_jacks](#)  
 Performance Category 6  
 Power over Ethernet (PoE) N/A  
 Product Name RJ45

**Physical**

Boot Color RED  
 Color - Resin Clear  
 Durability (mating cycles max) 750  
 Flammability 94V-0  
 Inverted / Top Latch N/A  
 Lightpipes/LEDs None  
 Material - Metal Phosphor Bronze  
 Material - Plating Mating Gold  
 Material - Plating Termination Tin-Lead  
 Material - Resin Polycarbonate  
 Orientation N/A  
 PCB Locator No  
 PCB Retention None  
 Packaging Type Bag  
 Pitch - Mating Interface (in) 0.040 In  
 Pitch - Mating Interface (mm) 1.02 mm  
 Pitch - Term. Interface (in) 0.040 In  
 Pitch - Term. Interface (mm) 1.02 mm  
 Plating min: Mating (µin) 12  
 Plating min: Mating (µm) 0.3  
 Plating min: Termination (µin) 50.8  
 Plating min: Termination (µm) 1.27  
 Ports 1  
 Positions / Loaded Contacts 8/8  
 Surface Mount Compatible (SMC) No  
 Temperature Range - Operating -40°C to +80°C  
 Termination Interface: Style IDT or Pierce  
 Waterproof / Dustproof No  
 Wire/Cable Type Round

**Electrical**

Current - Maximum per Contact 1.5A



*image - Reference only*

**EU RoHS**

**ELV and RoHS Compliant**  
**REACH SVHC**  
 Not Reviewed  
**Halogen-Free Status**  
 Not Reviewed

**China RoHS**



**Need more information on product environmental compliance?**

Email [productcompliance@molex.com](mailto:productcompliance@molex.com)  
 For a multiple part number RoHS Certificate of Compliance, [click here](#)

Please visit the [Contact Us](#) section for any non-product compliance questions.

**Search Parts in this Series**

[85568Series](#)

**Mates With**

FCC 68 Jacks

**Application Tooling | FAQ**

*Tooling specifications and manuals are found by selecting the products below. Crimp Height Specifications are then contained in the Application Tooling Specification document.*

**Global**

Description	Product #
Handtool for 85568 Telecom Plug, Type C Crimp with Diameter 6.0 Cable	<a href="#">0690081192</a>

Grounding to Panel	N/A
Shielded	Yes
Voltage - Maximum	125V AC (RMS)

### **Material Info**

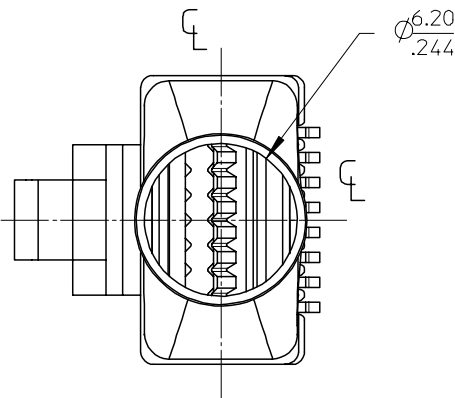
### **Reference - Drawing Numbers**

Application Specification	AS-85568-002
Packaging Specification	PK-85568-001
Product Specification	PS-85568-001
Sales Drawing	SD-85568-001

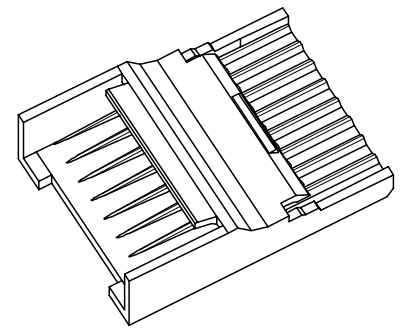
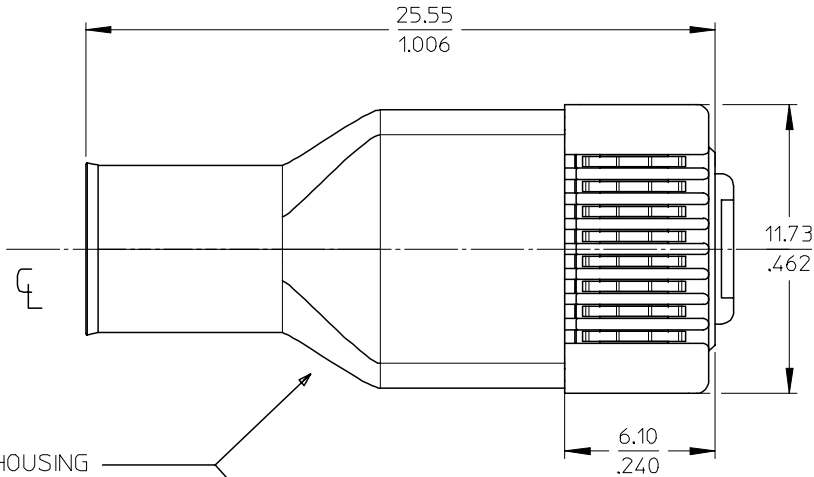
This document was generated on 06/08/2010

**PLEASE CHECK [WWW.MOLEX.COM](http://WWW.MOLEX.COM) FOR LATEST PART INFORMATION**

10 9 8 7 6 5 4 3 2 1

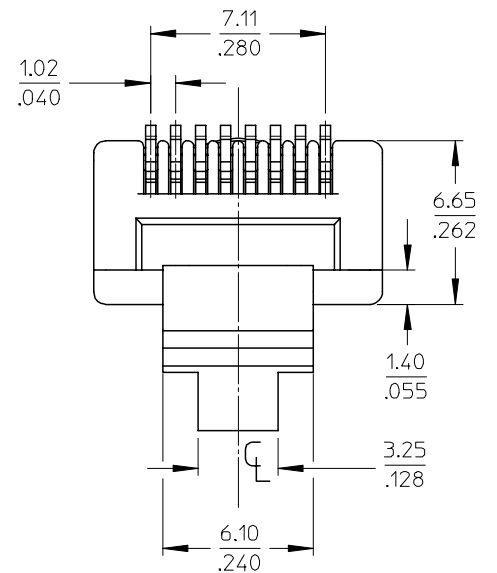
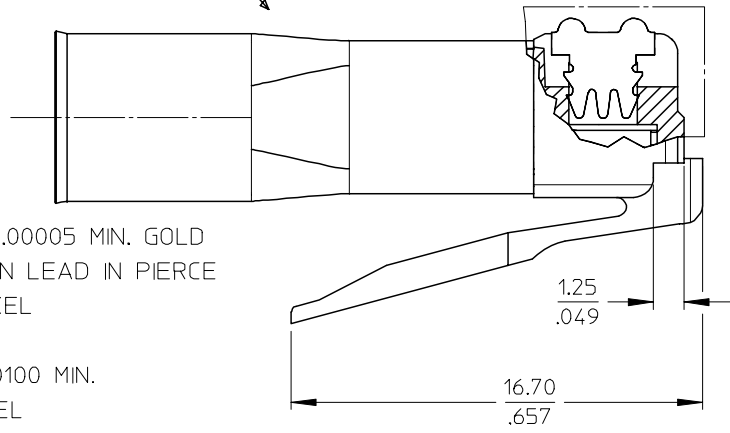


SHIELD ASSEMBLED ONTO HOUSING



NOTES:

- 1- MATERIAL:  
 PLUG HOUSING:  
 CLEAR POLYCARBONATE UL94 V0  
 WIRE-MANAGER:  
 CLEAR POLYCARBONATE UL94 V0  
 TERMINALS:  
 PHOSPHOR BRONZE PLATED WITH 0.00127/.00005 MIN. GOLD  
 IN CONTACT AREA, 0.00127/.00005 MIN. THIN LEAD IN PIERCE  
 AREA BOTH OVER 0.00127/.00005 MIN. NICKEL  
 SHIELD:  
 COPPER ALLOY PLATED WITH 0.00254/.000100 MIN.  
 BRIGHT TIN OVER 0.00127/.00005 MIN. NICKEL
- 2- PRODUCT INTENDED TO TERMINATE  
 ROUND SHIELDED PIMF CABLE  
 WITH JACKET O.D.: 5.9 +0.2 -0.3/ .232 +.008 -.012  
 AS PER APPLICATION SPECIFICATION  
 APPLICATION TOOLING- HAND TOOL:69008-1192  
 DIE SET:69008-1193
- 3- PRODUCT SPECIFICATION: PS-85568-001
- 4- APPLICATION SPECIFICATION: AS-85568-002
- 5- PACKAGING SPECIFICATION: PK-85568-001
- 6- MATING INTERFACE DIMENSIONS OF PLUG ACC.  
 IEC 60603-7-1 FREE CONNECTOR-VARIANT 02



APP TOOLING ADDED TO NOTE 6 EC NO: E2007-0831 DRWN: PGRADY CHKD: APPR: EOMAHONY	2007/03/23 2007/03/23 2007/03/23	DESCRIPTION REV	QUALITY SYMBOLS	GENERAL TOLERANCES (UNLESS SPECIFIED)	DIMENSION STYLE	SCALE	DESIGN UNITS	THIRD ANGLE PROJECTION
			$\nabla=0$ $\triangle=0$	mm      INCH 4 PLACES ± --- ± --- 3 PLACES ± --- ± --- 2 PLACES ± 0.25 ± .010 1 PLACE ± --- ± --- ANGULAR ± .5 °	MM/IN	5:1	METRIC	<input checked="" type="checkbox"/> THIRD ANGLE PROJECTION
			DRAWN BY: SSTE INKE CHECKED BY: SF IL IPON APPROVED BY: MHE IM	DATE: 2002/10/01 DATE: 2002/10/08 DATE: 2002/10/08	TITLE			
			SHIELDED MOD. PLUG CAT.6 8 POS. WITH WIRE MANAGER ROUND CABLE			MOLEX INCORPORATED		
DRAFT WHERE APPLICABLE MUST REMAIN WITHIN DIMENSIONS			SEE SHEET 2			DOCUMENT NO. SD-85568-001		SHEET NO. 1 OF 2
THIS DRAWING CONTAINS INFORMATION THAT IS PROPRIETARY TO MOLEX INCORPORATED AND SHOULD NOT BE USED WITHOUT WRITTEN PERMISSION								

9 8 7 6 5 4 3 2 1

10 9 8 7 6 5 4 3 2 1

F

E

D

C

B

A

F

E

D

C

B

A

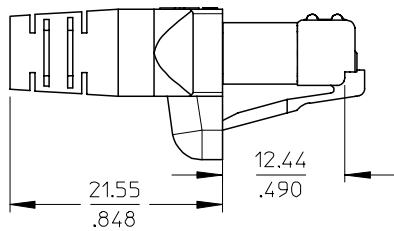
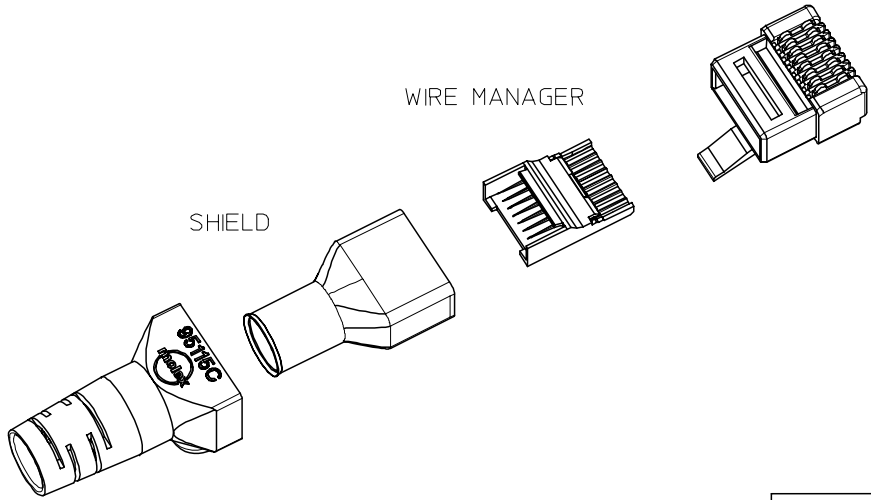
ASSEMBLY HOUSING

WIRE MANAGER

SHIELD

# SHIELDED PLUG COMPOSITION

BOOT WITH LATCH PROTECTION  
(IF REQUESTED)



ASSEMBLY PART NUMBER	BOOT WITH LATCH PROTECTION			PARTS/ UNIT	PACKAGING VERSION
	PART NUMBER	COLOR	RAL NBR		
85568-7880	NO BOOT			1	A
85568-7881	95115-4881	BLACK	9005	1	A
85568-7882	95115-4882	GREY	7012	1	A
85568-7883	95115-4883	GREEN	6016	1	A
85568-7884	95115-4884	RED	3000	1	A
85568-7885	95115-4885	YELLOW	1021	1	A
85568-7886	95115-4886	BLUE	5015	1	A
85568-7887	95115-4887	ORANGE	2004	1	A

EC NO: E2007-0831 DRWN: PGRADY 2007/03/23 CHKD: 2007/03/23 APPR: EOMAHONY 2007/03/23	QUALITY SYMBOLS	GENERAL TOLERANCES (UNLESS SPECIFIED)	DIMENSION STYLE	SCALE	DESIGN UNITS	THIRD ANGLE PROJECTION															
	▽=0 ◻=0	<table border="1"> <tr> <th></th> <th>mm</th> <th>INCH</th> </tr> <tr> <td>4 PLACES</td> <td>± .---</td> <td>± .---</td> </tr> <tr> <td>3 PLACES</td> <td>± .---</td> <td>± .---</td> </tr> <tr> <td>2 PLACES</td> <td>± 0.25</td> <td>± .010</td> </tr> <tr> <td>1 PLACE</td> <td>± .---</td> <td>± .---</td> </tr> </table> ANGULAR ± .5 °		mm	INCH	4 PLACES	± .---	± .---	3 PLACES	± .---	± .---	2 PLACES	± 0.25	± .010	1 PLACE	± .---	± .---	MM/IN DRAWN BY DATE SSTE INKE 2002/10/01 CHECKED BY DATE SFIL IPON 2002/10/08 APPROVED BY DATE MHEIM 2002/10/08	2:1	METRIC	TITLE SHIELDED MOD. PLUG CAT.6 8 POS. WITH WIRE MANAGER ROUND CABLE
		mm	INCH																		
	4 PLACES	± .---	± .---																		
3 PLACES	± .---	± .---																			
2 PLACES	± 0.25	± .010																			
1 PLACE	± .---	± .---																			
	DRAFT WHERE APPLICABLE MUST REMAIN WITHIN DIMENSIONS	SEE CHART	MATERIAL NO.	DOCUMENT NO.	MOLEX INCORPORATED SD-85568-001																
A	REV		SIZE A3	THIS DRAWING CONTAINS INFORMATION THAT IS PROPRIETARY TO MOLEX INCORPORATED AND SHOULD NOT BE USED WITHOUT WRITTEN PERMISSION																	

9 8 7 6 5 4 3 2 1