

PLEASE CHECK WWW.MOLEX.COM FOR LATEST PART INFORMATION

Part Number: [0719791805](#)
Status: **Active**
Overview: [cgrid_sl_products](#)
Description: 2.54mm (.100") Pitch C-Grid® Receptacle, Surface Mount, Dual Row, Right Angle, 10 Circuits

Documents:

[3D Model](#) [Product Specification PS-71973-9999 \(PDF\)](#)
[Drawing \(PDF\)](#) [RoHS Certificate of Compliance \(PDF\)](#)

General

Product Family PCB Receptacles
 Series [71979](#)
 Application Board-to-Board
 Overview [cgrid_sl_products](#)
 Product Name C-Grid®

Physical

Circuits (Loaded) 10
 Glow-Wire Compliant No
 Material - Metal Phosphor Bronze
 Material - Plating Mating Gold
 Material - Plating Termination Tin
 Material - Resin High Temperature Thermoplastic
 Number of Rows 2
 Orientation Right Angle
 PCB Locator Yes
 PCB Retention Yes
 Packaging Type Tube
 Pitch - Mating Interface (in) 0.100 In
 Pitch - Mating Interface (mm) 2.54 mm
 Pitch - Term. Interface (in) 0.100 In
 Pitch - Term. Interface (mm) 2.54 mm
 Plating min: Mating (µin) 15
 Plating min: Mating (µm) 0.38
 Plating min: Termination (µin) 75
 Plating min: Termination (µm) 1.90
 Polarized to PCB No
 Stackable Yes
 Temperature Range - Operating -40°C to +105°C
 Termination Interface: Style Surface Mount

Electrical

Current - Maximum per Contact 1A, 2A, 3A
 Voltage - Maximum 500V AC

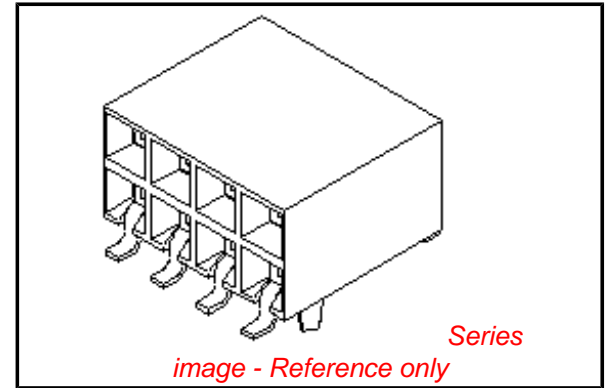
Solder Process Data

Duration at Max. Process Temperature (seconds) 10
 Lead-free Process Capability Reflow Capable (SMT only)
 Max. Cycles at Max. Process Temperature 3
 Process Temperature max. C 260

Material Info

Reference - Drawing Numbers

Product Specification PS-71973-9999
 Sales Drawing SDA-71979-****



EU RoHS

**ELV and RoHS
Compliant**
**REACH SVHC
Contains SVHC: No**
**Halogen-Free
Status**

China RoHS



Not Reviewed

**Need more information on product
environmental compliance?**

Email productcompliance@molex.com
 For a multiple part number RoHS Certificate of Compliance, [click here](#)

Please visit the [Contact Us](#) section for any non-product compliance questions.

Search Parts in this Series

[71979Series](#)

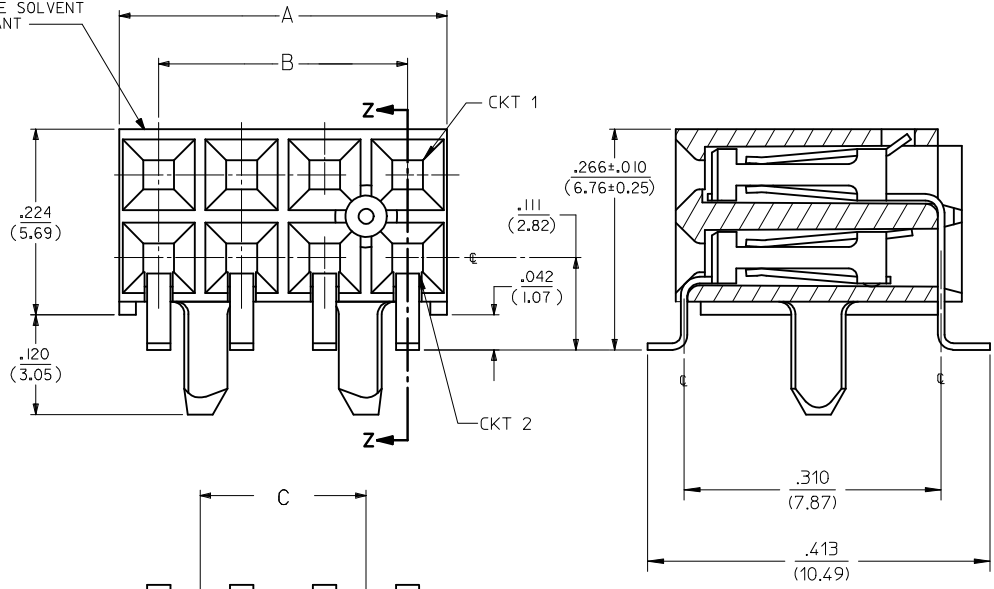
Mates With

[87911 Header](#)

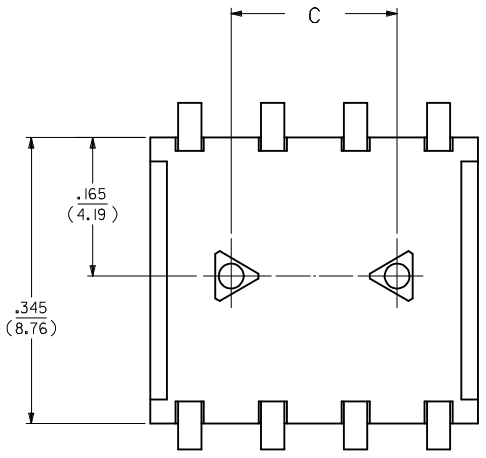
This document was generated on 05/31/2010

PLEASE CHECK WWW.MOLEX.COM FOR LATEST PART INFORMATION

4 DIGIT DATE CODE ON THIS SURFACE. MUST BE SOLVENT RESISTANT



SECTION Z-Z



OPTION A ASSEMBLY

(ASSEMBLY WITH PEG AND WITHOUT LOWER ROW PINSTOP)

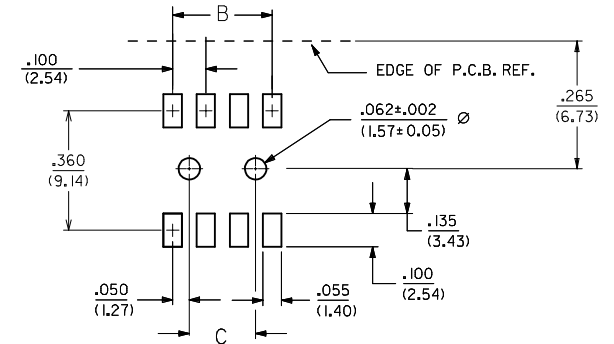
NOTES:

- 1.) MATERIALS:
HOUSING - LCP, 94V-0, BLACK
TERMINAL - PHOS. BRONZE ALLOY
- 2.) 8 CKT SHOWN FOR ILLUSTRATION PURPOSES. SEE CHART ON SHEET 7 FOR OTHER SIZES.
- 3.) SCRATCHES AND BURNISHING ALLOWED ON TERMINAL TAILS PROVIDING BASE METAL IS NOT EXPOSED, EXCEPT AT TRIMMED END.
- 4.) RECOMMENDED MATING PIN LENGTHS:
LOWER ROW - .200" MIN./ .285" MAX.
UPPER ROW - .200" MIN.
- 5.) REFER TO PS-71973-9999 FOR PERFORMANCE DATA.

PLATING:

- 15 GOLD 15 MICROINCH MINIMUM SELECTIVE GOLD IN THE CONTACT AREA; 75 MICROINCH MINIMUM SELECTIVE TIN IN THE PC TAIL AREA OVER 50 MICROINCH MINIMUM NICKEL OVERALL.
- 30 GOLD 30 MICROINCH MINIMUM SELECTIVE GOLD IN THE CONTACT AREA; 75 MICROINCH MINIMUM SELECTIVE TIN IN THE PC TAIL AREA OVER 50 MICROINCH MINIMUM NICKEL OVERALL.
- 50 GOLD 50 MICROINCH MINIMUM SELECTIVE GOLD IN THE CONTACT AREA; 75 MICROINCH MINIMUM SELECTIVE TIN IN THE PC TAIL AREA OVER 50 MICROINCH MINIMUM NICKEL OVERALL.

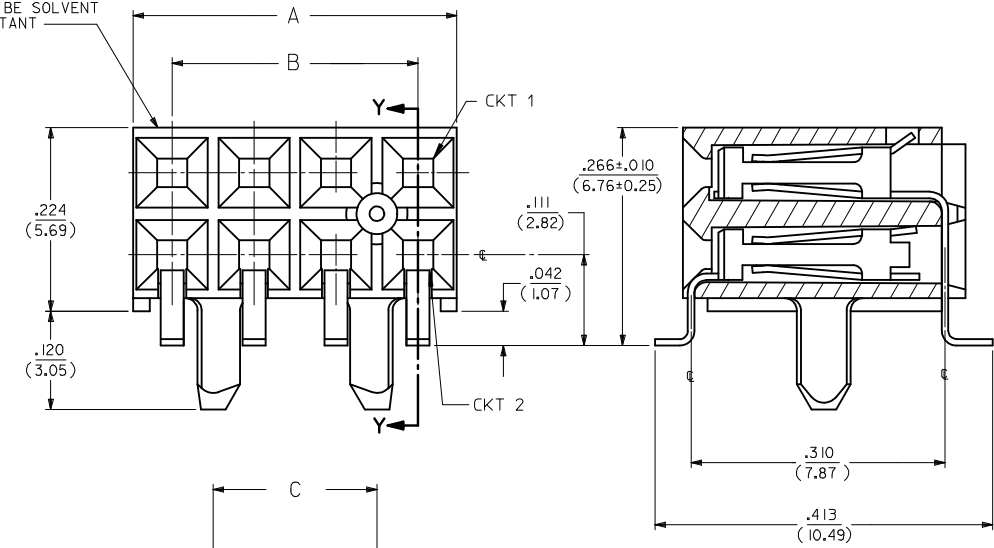
*THE PRIMARY SHIPPING CARTON WILL BE LABELED "COMPLIANT TO RoHS DIRECTIVE 2002/95/EC AND ELV ANNEX II OF DIRECTIVE 2000/53/EC". CARTONS WITHOUT THIS LABEL MAY CONTAIN PRODUCT WITH LEAD.



RECOMMENDED P.C.B. LAYOUT

| | | | | | | | | |
|---|--|-------------------|--|--|---|---|---|------------------------|
| REVISED EC NO: S2009-0814 DRWN:SKANG CHYKD:ATSEE APPR:MLONG | 2009/09/01 2009/09/04 2009/09/05 | DESCRIPTION H2 | QUALITY SYMBOLS | GENERAL TOLERANCES (UNLESS SPECIFIED) | DIMENSION STYLE | SCALE | DESIGN UNITS | THIRD ANGLE PROJECTION |
| | | | ▽=0 C=0 | mm INCH 4 PLACES ± --- ± --- 3 PLACES ± --- ± --- 2 PLACES ± --- ± .01 1 PLACE ± 0.25 ± --- ANGULAR ± 1/2° | IN/MM DRAWN BY DATE DJB 1995/03/15 CHECKED BY DATE DJB 1995/03/15 APPROVED BY DATE DJB 1995/03/15 | NTS TITLE | INCH SMT RECEPTACLE RIGHT ANGLE, DUAL ROW WITH AND WITHOUT PEG MOLEX INCORPORATED | SHEET NO. 1 OF 12 |
| | | | DRAFT WHERE APPLICABLE MUST REMAIN WITHIN DIMENSIONS | MATERIAL NO. SEE TABLE | DOCUMENT NO. SDA-71979-**** | THIS DRAWING CONTAINS INFORMATION THAT IS PROPRIETARY TO MOLEX INCORPORATED AND SHOULD NOT BE USED WITHOUT WRITTEN PERMISSION | | |
| | | | SIZE A3 | | | | | |

4 DIGIT DATE CODE ON THIS SURFACE. MUST BE SOLVENT RESISTANT



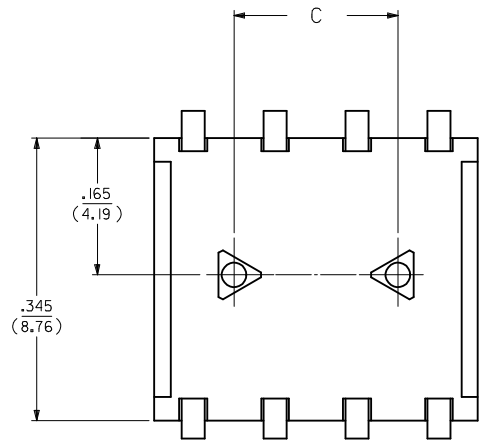
NOTES:

- 1.) MATERIALS:
HOUSING - LCP, 94V-0, BLACK
TERMINAL - PHOS. BRONZE ALLOY
- 2.) 8 CKT SHOWN FOR ILLUSTRATION PURPOSES. SEE CHART ON SHEET 8 FOR OTHER SIZES.
- 3.) SCRATCHES AND BURNISHING ALLOWED ON TERMINAL TAILS PROVIDING BASE METAL IS NOT EXPOSED.
- 4.) RECOMMENDED MATING PIN LENGTHS:
LOWER ROW - .200' MIN./ .250' MAX.
UPPER ROW - .200' MIN.
- 5.) REFER TO PS-71973-9999 FOR PERFORMANCE DATA.

PLATING:

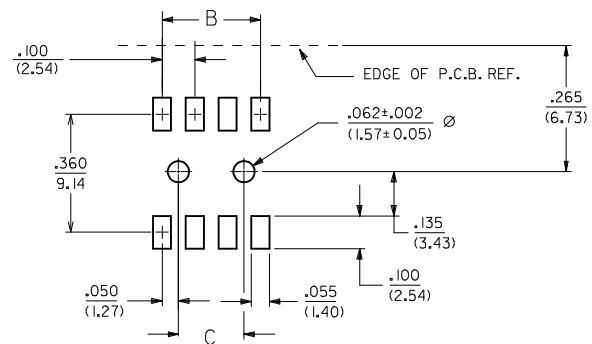
- 15 GOLD 15 MICROINCH MINIMUM SELECTIVE GOLD IN THE CONTACT AREA; 75 MICROINCH MINIMUM SELECTIVE TIN IN THE PC TAIL AREA OVER 50 MICROINCH MINIMUM NICKEL OVERALL.
 - 30 GOLD 30 MICROINCH MINIMUM SELECTIVE GOLD IN THE CONTACT AREA; 75 MICROINCH MINIMUM SELECTIVE TIN IN THE PC TAIL AREA OVER 50 MICROINCH MINIMUM NICKEL OVERALL.
 - 50 GOLD 50 MICROINCH MINIMUM SELECTIVE GOLD IN THE CONTACT AREA; 75 MICROINCH MINIMUM SELECTIVE TIN IN THE PC TAIL AREA OVER 50 MICROINCH MINIMUM NICKEL OVERALL.
- *THE PRIMARY SHIPPING CARTON WILL BE LABELED 'COMPLIANT TO RoHS DIRECTIVE 2002/95/EC AND ELY ANNEX II OF DIRECTIVE 2000/53/EC'. CARTONS WITHOUT THIS LABEL MAY CONTAIN PRODUCT WITH LEAD.

SECTION Y-Y



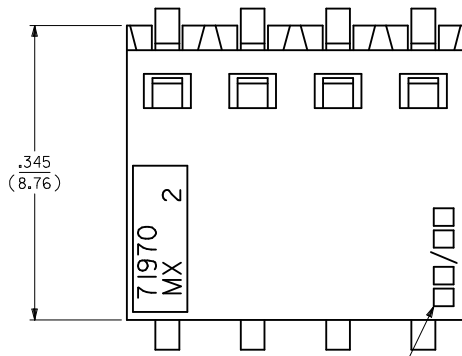
OPTION B ASSEMBLY

(ASSEMBLY WITH PEG AND LOWER ROW PINSTOP)

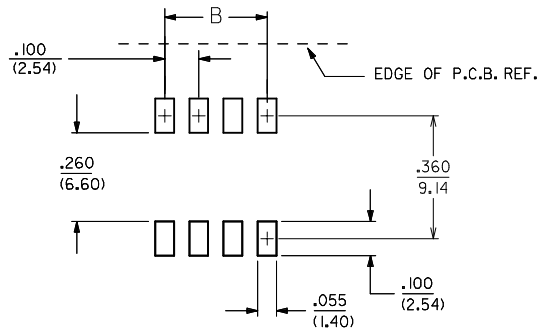


RECOMMENDED P.C.B. LAYOUT

| | | | | | | | | |
|--|--|-------------------|--|---|--|-----------------------------|----------------------|--|
| REVISED EC NO: S2009-0814 DRWN:SKANG CHKD:ATSEE APPR:MLONG | 2009/09/01 2009/09/04 2009/09/05 | DESCRIPTION H2 | QUALITY SYMBOLS | GENERAL TOLERANCES (UNLESS SPECIFIED) | DIMENSION STYLE | SCALE | DESIGN UNITS | THIRD ANGLE PROJECTION |
| | | | $\nabla=0$ $\text{C}=0$ | mm INCH 4 PLACES ± --- ± --- 3 PLACES ± --- ± --- 2 PLACES ± --- ± .01 1 PLACE ± 0.25 ± --- ANGULAR ± 1/2° | IN/MM DRAWN BY DATE CHECKED BY DATE APPROVED BY DATE | NTS INCH | INCH | TITLE SMT RECEPTACLE RIGHT ANGLE, DUAL ROW WITH AND WITHOUT PEG |
| | | | DRAFT WHERE APPLICABLE MUST REMAIN WITHIN DIMENSIONS | SEE TABLE | MATERIAL NO. DOCUMENT NO. | MOLEX MOLEX INCORPORATED | SHEET NO. 2 OF 12 | |
| | | | SIZE A3 | THIS DRAWING CONTAINS INFORMATION THAT IS PROPRIETARY TO MOLEX INCORPORATED AND SHOULD NOT BE USED WITHOUT WRITTEN PERMISSION | | | | |



4 DIGIT DATE CODE
SEE NOTE 4



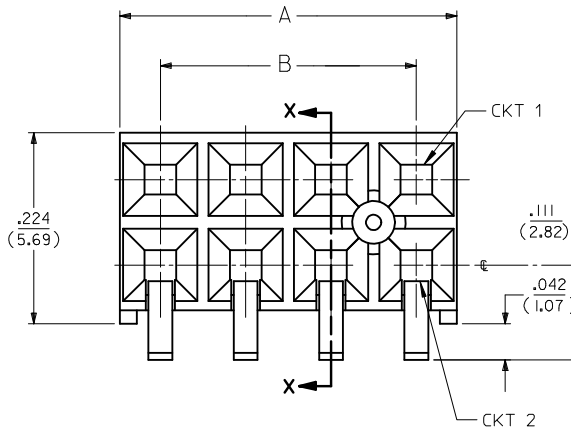
RECOMMENDED P.C.B. LAYOUT

NOTES:

- 1.) MATERIALS:
HOUSING - LCP, 94V-0, BLACK.
TERMINAL - PHOS. BRONZE ALLOY
- 2.) 8 CKT SHOWN FOR ILLUSTRATION PURPOSES.
SEE CHART ON SHEET 9 FOR OTHER SIZES.
- 3.) SCRATCHES AND BURNISHING ALLOWED ON
TERMINAL TAILS PROVIDING BASE METAL
IS NOT EXPOSED.
- 4.) MANUFACTURED DATE CODE WEEK/YEAR.
- 5.) RECOMMENDED MATING PIN LENGTHS:
LOWER ROW - .200" MIN./ .285" MAX.
UPPER ROW - .200" MIN.
- 6.) REFER TO PS-71973-9999 FOR PERFORMANCE DATA.

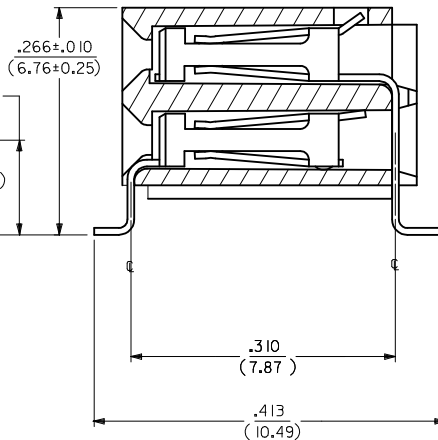
PLATING:

- 15 GOLD 15 MICROINCH MINIMUM SELECTIVE GOLD IN THE CONTACT
AREA; 75 MICROINCH MINIMUM SELECTIVE TIN IN THE PC
TAIL AREA OVER 50 MICROINCH MINIMUM NICKEL OVERALL.
 - 30 GOLD 30 MICROINCH MINIMUM SELECTIVE GOLD IN THE CONTACT
AREA; 75 MICROINCH MINIMUM SELECTIVE TIN IN THE PC
TAIL AREA OVER 50 MICROINCH MINIMUM NICKEL OVERALL.
 - 50 GOLD 50 MICROINCH MINIMUM SELECTIVE GOLD IN THE CONTACT
AREA; 75 MICROINCH MINIMUM SELECTIVE TIN IN THE PC
TAIL AREA OVER 50 MICROINCH MINIMUM NICKEL OVERALL.
- *THE PRIMARY SHIPPING CARTON WILL BE LABELED "COMPLIANT TO
RoHS DIRECTIVE 2002/95/EC AND ELV ANNEX II OF DIRECTIVE 2000/53/EC".
CARTONS WITHOUT THIS LABEL MAY CONTAIN PRODUCT WITH LEAD.



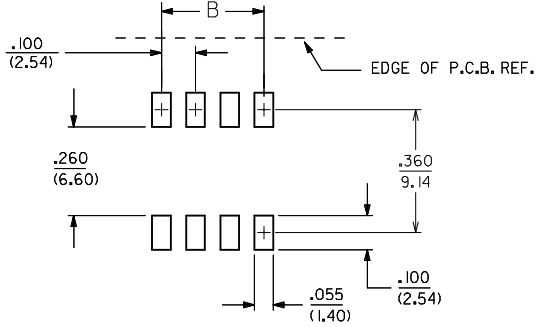
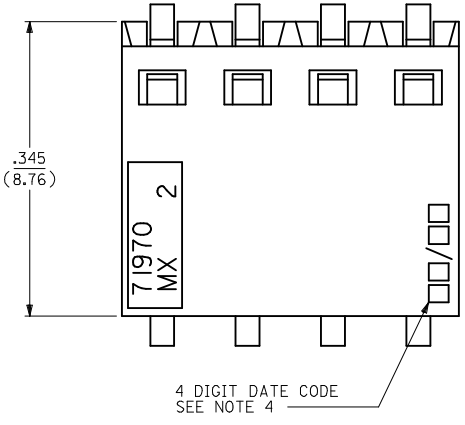
OPTION C ASSEMBLY

(ASSEMBLY WITHOUT PEG AND LOWER ROW PINSTOP)



SECTION X-X

| REVISED EC NO: S2009-0814 DRWN:SKANG CHKD:ATSEE APPR:MLONG 2009/09/01 2009/09/04 2009/09/05 | QUALITY SYMBOLS | GENERAL TOLERANCES (UNLESS SPECIFIED) | DIMENSION STYLE | SCALE | DESIGN UNITS | THIRD ANGLE PROJECTION | | | | | | | | | | | | | | | |
|--|--|--|---|---|--------------|------------------------|-------|-------|----------|-------|-------|----------|-------|-------|---------|--------|-------|-------|-----|------|--|
| | $\nabla=0$ $\text{C}=0$ | <table border="1"> <tr><th></th><th>mm</th><th>INCH</th></tr> <tr><td>4 PLACES</td><td>± ---</td><td>± ---</td></tr> <tr><td>3 PLACES</td><td>± ---</td><td>± ---</td></tr> <tr><td>2 PLACES</td><td>± ---</td><td>± .01</td></tr> <tr><td>1 PLACE</td><td>± 0.25</td><td>± ---</td></tr> </table> | | mm | INCH | 4 PLACES | ± --- | ± --- | 3 PLACES | ± --- | ± --- | 2 PLACES | ± --- | ± .01 | 1 PLACE | ± 0.25 | ± --- | IN/MM | NTS | INCH | |
| | | mm | INCH | | | | | | | | | | | | | | | | | | |
| | 4 PLACES | ± --- | ± --- | | | | | | | | | | | | | | | | | | |
| 3 PLACES | ± --- | ± --- | | | | | | | | | | | | | | | | | | | |
| 2 PLACES | ± --- | ± .01 | | | | | | | | | | | | | | | | | | | |
| 1 PLACE | ± 0.25 | ± --- | | | | | | | | | | | | | | | | | | | |
| DESCRIPTION | ANGULAR ± 1/2° | DRAWN BY | DATE | TITLE | | | | | | | | | | | | | | | | | |
| H2 | DRAFT WHERE APPLICABLE MUST REMAIN WITHIN DIMENSIONS | DJB | 1995/03/15 | SMT RECEPTACLE RIGHT ANGLE, DUAL ROW WITH AND WITHOUT PEG | | | | | | | | | | | | | | | | | |
| | | CHECKED BY | DATE | MOLEX INCORPORATED | | | | | | | | | | | | | | | | | |
| | | APPROVED BY | DATE | SDA-71979-**** | | | | | | | | | | | | | | | | | |
| | | MATERIAL NO. | DOCUMENT NO. | SHEET NO. | | | | | | | | | | | | | | | | | |
| | | SEE TABLE | | 3 OF 12 | | | | | | | | | | | | | | | | | |
| | | SIZE A3 | THIS DRAWING CONTAINS INFORMATION THAT IS PROPRIETARY TO MOLEX INCORPORATED AND SHOULD NOT BE USED WITHOUT WRITTEN PERMISSION | | | | | | | | | | | | | | | | | | |



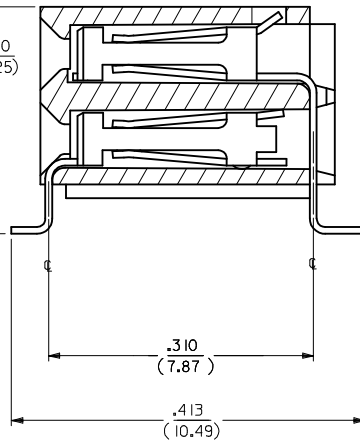
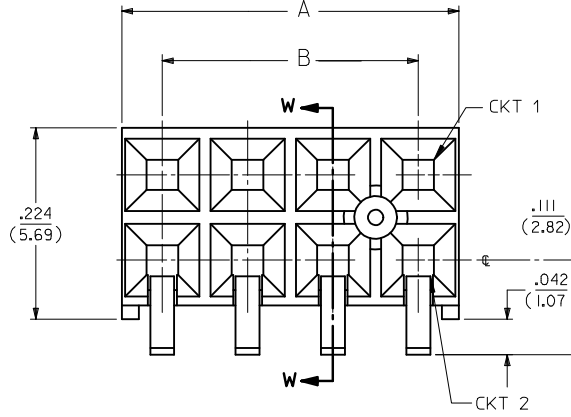
NOTES:

- 1.) MATERIALS:
HOUSING - LCP, 94V-0, BLACK
TERMINAL - PHOS. BRONZE ALLOY
- 2.) 8 CKT FOR ILLUSTRATION PURPOSES.
SEE CHART ON SHEET 10 FOR OTHER SIZES.
- 3.) SCRATCHES AND BURNISHING ALLOWED ON
TERMINAL TAILS PROVIDING BASE METAL
IS NOT EXPOSED.
- 4.) MANUFACTURED DATE CODE WEEK/YEAR.
- 5.) RECOMMENDED MATING PIN LENGTHS:
LOWER ROW - .200" MIN./ .250" MAX.
UPPER ROW - .200" MIN.
- 6.) REFER TO PS-71973-9999 FOR PERFORMANCE DATA.

PLATING:

- 15 GOLD 15 MICROINCH MINIMUM SELECTIVE GOLD IN THE CONTACT AREA; 75 MICROINCH MINIMUM SELECTIVE TIN IN THE PC TAIL AREA OVER 50 MICROINCH MINIMUM NICKEL OVERALL.
 - 30 GOLD 30 MICROINCH MINIMUM SELECTIVE GOLD IN THE CONTACT AREA; 75 MICROINCH MINIMUM SELECTIVE TIN IN THE PC TAIL AREA OVER 50 MICROINCH MINIMUM NICKEL OVERALL.
 - 50 GOLD 50 MICROINCH MINIMUM SELECTIVE GOLD IN THE CONTACT AREA; 75 MICROINCH MINIMUM SELECTIVE TIN IN THE PC TAIL AREA OVER 50 MICROINCH MINIMUM NICKEL OVERALL.
- *THE PRIMARY SHIPPING CARTON WILL BE LABELED "COMPLIANT TO ROHS DIRECTIVE 2002/95/EC AND ELV ANNEX II OF DIRECTIVE 2000/53/EC". CARTONS WITHOUT THIS LABEL MAY CONTAIN PRODUCT WITH LEAD.

RECOMMENDED P.C.B. LAYOUT



OPTION D ASSEMBLY

(ASSEMBLY WITHOUT PEG AND WITH LOWER ROW PINSTOP)

SECTION W-W

| | | | | | | |
|--|-----------------|--|-----------------|---|---|------------------------|
| REVISED EC NO: S2009-0814 DRWN:SKANG CHKD:ATSEE APPR:MLONG 2009/09/01 2009/09/04 2009/09/05 | QUALITY SYMBOLS | GENERAL TOLERANCES (UNLESS SPECIFIED) | DIMENSION STYLE | SCALE | DESIGN UNITS | THIRD ANGLE PROJECTION |
| | ▼=0 Ⓢ=0 | mm INCH 4 PLACES ± --- ± --- 3 PLACES ± --- ± --- 2 PLACES ± --- ± .01 1 PLACE ± 0.25 ± --- ANGULAR ± 1/2° | IN/MM | NTS | INCH | |
| | DESCRIPTION | DRAFT WHERE APPLICABLE MUST REMAIN WITHIN DIMENSIONS | DRAWN BY DATE | TITLE | SMT RECEPTACLE RIGHT ANGLE, DUAL ROW WITH AND WITHOUT PEG | |
| | REV | | CHECKED BY DATE | APPROVED BY DATE | MOLEX INCORPORATED | |
| | | | MATERIAL NO. | DOCUMENT NO. | SHEET NO. | |
| | | | SEE TABLE | SDA-71979-**** | 4 OF 12 | |
| | | | SIZE A3 | THIS DRAWING CONTAINS INFORMATION THAT IS PROPRIETARY TO MOLEX INCORPORATED AND SHOULD NOT BE USED WITHOUT WRITTEN PERMISSION | | |

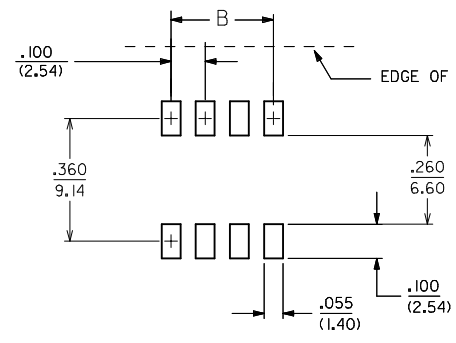
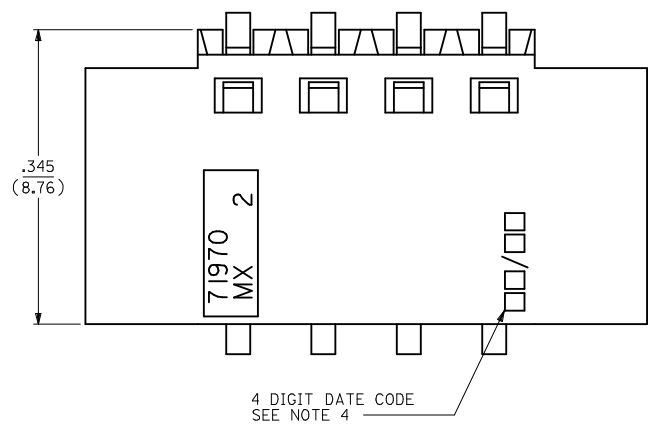
NOTES:

- 1.) MATERIALS:
HOUSING - VECTRA A-130, 94V-0, BLACK
TERMINAL - PHOS. BRONZE ALLOY 52I.
- 2.) 8 CKT SHOWN FOR ILLUSTRATION PURPOSES.
SEE CHART ON SHEET 11 FOR OTHER SIZES.
- 3.) SCRATCHES AND BURNISHING ALLOWED ON
TERMINAL TAILS PROVIDING BASE METAL
IS NOT EXPOSED.
- 4.) MANUFACTURED DATE CODE WEEK/YEAR.
- 5.) RECOMMENDED MATING PIN LENGTHS:
LOWER ROW - .200" MIN./ .285" MAX.
UPPER ROW - .200" MIN.
- 6.) REFER TO PS-71973-9999 FOR PERFORMANCE DATA.

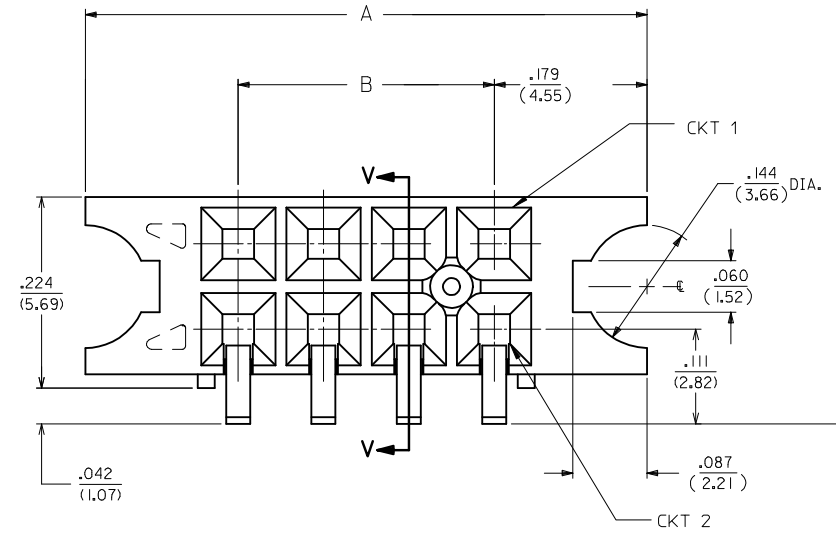
PLATING:

- 15 GOLD 15 MICROINCH MINIMUM SELECTIVE GOLD IN THE CONTACT AREA; 75 MICROINCH MINIMUM SELECTIVE TIN IN THE PC TAIL AREA OVER 50 MICROINCH MINIMUM NICKEL OVERALL.
- 30 GOLD 30 MICROINCH MINIMUM SELECTIVE GOLD IN THE CONTACT AREA; 75 MICROINCH MINIMUM SELECTIVE TIN IN THE PC TAIL AREA OVER 50 MICROINCH MINIMUM NICKEL OVERALL.
- 50 GOLD 50 MICROINCH MINIMUM SELECTIVE GOLD IN THE CONTACT AREA; 75 MICROINCH MINIMUM SELECTIVE TIN IN THE PC TAIL AREA OVER 50 MICROINCH MINIMUM NICKEL OVERALL.

*THE PRIMARY SHIPPING CARTON WILL BE LABELED "COMPLIANT TO RoHS DIRECTIVE 2002/95/EC AND ELV ANNEX II OF DIRECTIVE 2000/53/EC". CARTONS WITHOUT THIS LABEL MAY CONTAIN PRODUCT WITH LEAD.

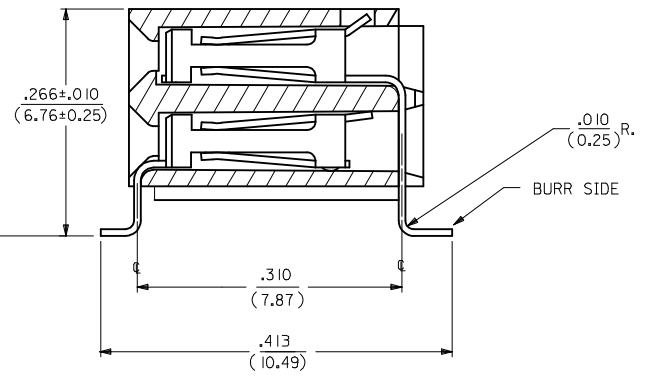


RECOMMENDED P.C.B. LAYOUT



OPTION E ASSEMBLY

(ASSEMBLY WITHOUT PEG OR LOWER ROW PINSTOP, WITH FLANGE)



SECTION V - V

| | | | | | |
|--|--|--|--|--|--|
| REVISED EC NO: S2009-0814 DRWN:SKANG CHKD:ATSEE APPR:MLONG 2009/09/01 2009/09/04 2009/09/05 | QUALITY SYMBOLS ▽=0 ◻=0 | GENERAL TOLERANCES (UNLESS SPECIFIED) mm INCH 4 PLACES ± --- ± --- 3 PLACES ± --- ± --- 2 PLACES ± --- ± .01 1 PLACE ± 0.25 ± --- ANGULAR ± 1/2° | DIMENSION STYLE IN/MM DRAWN BY DATE DJB 1995/03/15 CHECKED BY DATE DJB 1995/03/15 APPROVED BY DATE DJB 1995/03/15 | SCALE NTS DESIGN UNITS INCH THIRD ANGLE PROJECTION | TITLE SMT RECEPTACLE RIGHT ANGLE, DUAL ROW WITH AND WITHOUT PEG MOLEX INCORPORATED |
| | DRAFT WHERE APPLICABLE MUST REMAIN WITHIN DIMENSIONS | MATERIAL NO. SEE TABLE | DOCUMENT NO. SDA-71979-**** | SHEET NO. 5 OF 12 | |
| | SIZE A3 | THIS DRAWING CONTAINS INFORMATION THAT IS PROPRIETARY TO MOLEX INCORPORATED AND SHOULD NOT BE USED WITHOUT WRITTEN PERMISSION | | | |
| | H2 | | | | |

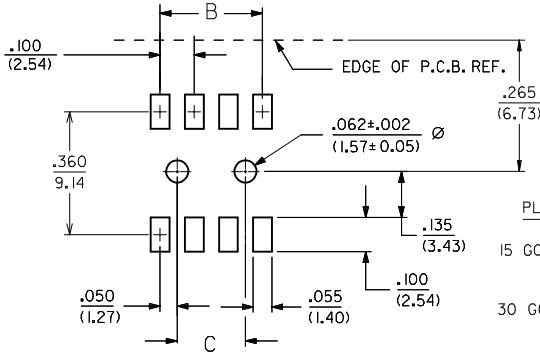
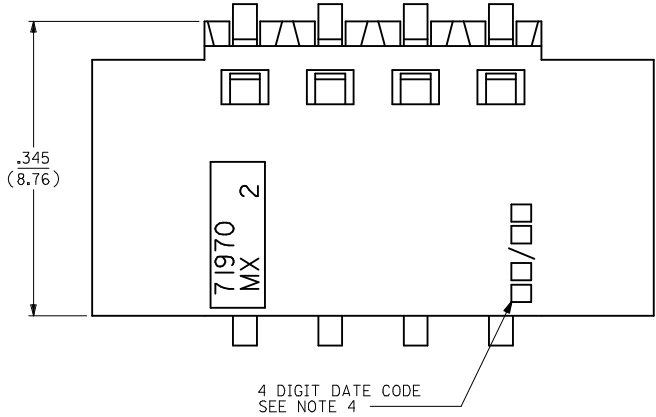
NOTES:

- 1.) MATERIALS:
HOUSING - VECTRA A-130, 94V-0, BLACK
TERMINAL - PHOS. BRONZE ALLOY 521.
- 2.) 8 CKT SHOWN FOR ILLUSTRATION PURPOSES.
SEE CHART ON SHEET 12.
- 3.) SCRATCHES AND BURNISHING ALLOWED ON
TERMINAL TAILS PROVIDING BASE METAL
IS NOT EXPOSED.
- 4.) MANUFACTURED DATE CODE WEEK/YEAR.
- 5.) RECOMMENDED MATING PIN LENGTHS:
LOWER ROW - .200" MIN./ .285" MAX.
UPPER ROW - .200" MIN.
- 6.) REFER TO PS-71973-9999 FOR PERFORMANCE DATA.

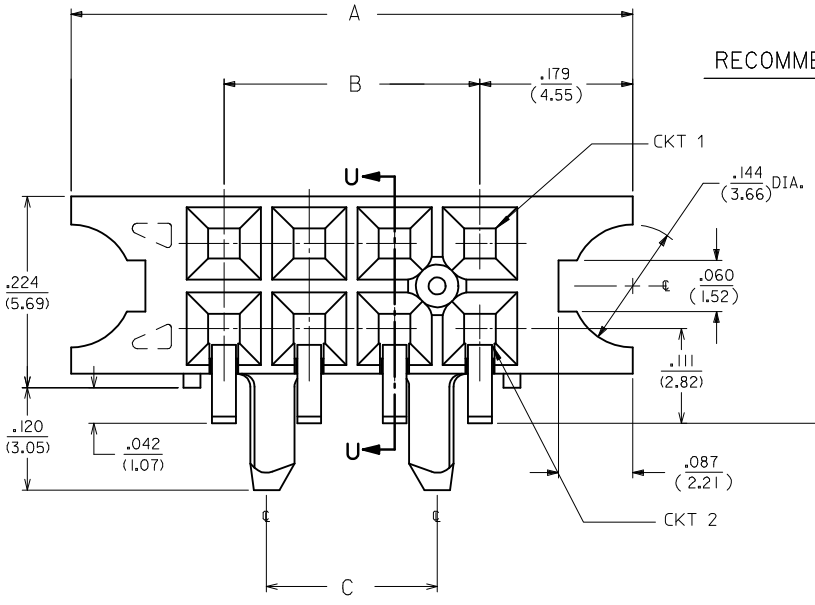
PLATING:

- 15 GOLD 15 MICROINCH MINIMUM SELECTIVE GOLD IN THE CONTACT AREA; 75 MICROINCH MINIMUM SELECTIVE TIN IN THE PC TAIL AREA OVER 50 MICROINCH MINIMUM NICKEL OVERALL.
- 30 GOLD 30 MICROINCH MINIMUM SELECTIVE GOLD IN THE CONTACT AREA; 75 MICROINCH MINIMUM SELECTIVE TIN IN THE PC TAIL AREA OVER 50 MICROINCH MINIMUM NICKEL OVERALL.
- 50 GOLD 50 MICROINCH MINIMUM SELECTIVE GOLD IN THE CONTACT AREA; 75 MICROINCH MINIMUM SELECTIVE TIN IN THE PC TAIL AREA OVER 50 MICROINCH MINIMUM NICKEL OVERALL.

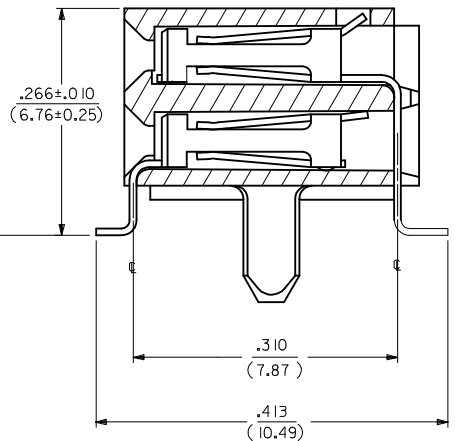
*THE PRIMARY SHIPPING CARTON WILL BE LABELED "COMPLIANT TO ROHS DIRECTIVE 2002/95/EC AND ELV ANNEX II OF DIRECTIVE 2000/53/EC". CARTONS WITHOUT THIS LABEL MAY CONTAIN PRODUCT WITH LEAD.



RECOMMENDED P.C.B. LAYOUT



SECTION U-U



OPTION F ASSEMBLY

(ASSEMBLY WITHOUT LOWER ROW PINSTOP, WITH FLANGE AND PEG)

| | | | | | | | | | | |
|--|--|--|---|--|---|-----------------------------|--------------------------------|------------------------|--|--|
| REVISED EC NO: S2009-0814 DRWN:SKANG CHKD:ATSEE APPR:MLONG 2009/09/01 2009/09/04 2009/09/05 | QUALITY SYMBOLS | GENERAL TOLERANCES (UNLESS SPECIFIED) | | DIMENSION STYLE | | SCALE | DESIGN UNITS | THIRD ANGLE PROJECTION | | |
| | ▽=0 Ⓢ=0 | 4 PLACES ± --- ± --- 3 PLACES ± --- ± --- 2 PLACES ± --- ± .01 1 PLACE ± 0.25 ± --- ANGULAR ± 1/2° | mm INCH ± --- ± --- ± --- ± --- ± 0.25 ± --- | IN/MM DRAWN BY DATE DJB 1995/03/15 | NTS TITLE SMT RECEPTACLE RIGHT ANGLE, DUAL ROW WITH AND WITHOUT PEG | MOLEX MOLEX INCORPORATED | DOCUMENT NO. SDA-71979-**** | SHEET NO. 6 OF 12 | | |
| | DRAFT WHERE APPLICABLE MUST REMAIN WITHIN DIMENSIONS | SEE TABLE | THIS DRAWING CONTAINS INFORMATION THAT IS PROPRIETARY TO MOLEX INCORPORATED AND SHOULD NOT BE USED WITHOUT WRITTEN PERMISSION | | | | | | | |
| | H2 | REV | | | | | | | | |

| NO. OF CKTS | | OPTION A ASSEMBLY PLATINGS PER ES-88-(***) (SEE SHEET I FOR PLATING SPECIFICATIONS) | | | | | DIMENSION | | | | NO. OF CKTS | | OPTION A ASSEMBLY PLATINGS PER ES-88-(***) (SEE SHEET I FOR PLATING SPECIFICATIONS) | | | | | DIMENSION | | | | | |
|-------------|-------|---|------------|------------|------------------|------------------|------------------|--|---|---|-------------|---------|---|------------|------------|------------------|------------------|------------------|---------|--|---|---|---|
| PER ROW | TOTAL | 15 GOLD | | | 30 GOLD | | 50 GOLD | | A | B | C | PER ROW | TOTAL | 15 GOLD | | | 30 GOLD | | 50 GOLD | | A | B | C |
| 4 | 8 | 71979-0204 | 71979-0304 | 71979-0404 | .395 (10.03) | .300 (7.62) | .200 (5.08) | | | | 34 | 68 | 71979-0234 | 71979-0334 | 71979-0434 | 3.395 (86.23) | 3.300 (83.82) | 3.200 (81.28) | | | | | |
| 5 | 10 | 71979-0205 | 71979-0305 | 71979-0405 | .495 (12.57) | .400 (10.16) | .300 (7.62) | | | | 35 | 70 | 71979-0235 | 71979-0335 | 71979-0435 | 3.495 (88.77) | 3.400 (86.36) | 3.300 (83.82) | | | | | |
| 6 | 12 | 71979-0206 | 71979-0306 | 71979-0406 | .595 (15.11) | .500 (12.70) | .400 (10.16) | | | | 36 | 72 | 71979-0236 | 71979-0336 | 71979-0436 | 3.595 (91.31) | 3.500 (88.90) | 3.400 (86.36) | | | | | |
| 7 | 14 | 71979-0207 | 71979-0307 | 71979-0407 | .695 (17.65) | .600 (15.24) | .500 (12.70) | | | | | | | | | | | | | | | | |
| 8 | 16 | 71979-0208 | 71979-0308 | 71979-0408 | .795 (20.19) | .700 (17.78) | .600 (15.24) | | | | | | | | | | | | | | | | |
| 9 | 18 | 71979-0209 | 71979-0309 | 71979-0409 | .895 (22.73) | .800 (20.32) | .700 (17.78) | | | | | | | | | | | | | | | | |
| 10 | 20 | 71979-0210 | 71979-0310 | 71979-0410 | .995 (25.27) | .900 (22.86) | .800 (20.32) | | | | | | | | | | | | | | | | |
| 11 | 22 | 71979-0211 | 71979-0311 | 71979-0411 | 1.095 (27.81) | 1.000 (25.40) | .900 (22.86) | | | | | | | | | | | | | | | | |
| 12 | 24 | 71979-0212 | 71979-0312 | 71979-0412 | 1.195 (30.35) | 1.100 (27.94) | 1.000 (25.40) | | | | | | | | | | | | | | | | |
| 13 | 26 | 71979-0213 | 71979-0313 | 71979-0413 | 1.295 (32.89) | 1.200 (30.48) | 1.100 (27.94) | | | | | | | | | | | | | | | | |
| 14 | 28 | 71979-0214 | 71979-0314 | 71979-0414 | 1.395 (35.43) | 1.300 (33.02) | 1.200 (30.48) | | | | | | | | | | | | | | | | |
| 15 | 30 | 71979-0215 | 71979-0315 | 71979-0415 | 1.495 (37.97) | 1.400 (35.56) | 1.300 (33.02) | | | | | | | | | | | | | | | | |
| 16 | 32 | 71979-0216 | 71979-0316 | 71979-0416 | 1.595 (40.51) | 1.500 (38.10) | 1.400 (35.56) | | | | | | | | | | | | | | | | |
| 17 | 34 | 71979-0217 | 71979-0317 | 71979-0417 | 1.695 (43.05) | 1.600 (40.64) | 1.500 (38.10) | | | | | | | | | | | | | | | | |
| 18 | 36 | 71979-0218 | 71979-0318 | 71979-0418 | 1.795 (45.59) | 1.700 (43.18) | 1.600 (40.64) | | | | | | | | | | | | | | | | |
| 19 | 38 | 71979-0219 | 71979-0319 | 71979-0419 | 1.895 (48.13) | 1.800 (45.72) | 1.700 (43.18) | | | | | | | | | | | | | | | | |
| 20 | 40 | 71979-0220 | 71979-0320 | 71979-0420 | 1.995 (50.67) | 1.900 (48.26) | 1.800 (45.72) | | | | | | | | | | | | | | | | |
| 21 | 42 | 71979-0221 | 71979-0321 | 71979-0421 | 2.095 (53.21) | 2.000 (50.80) | 1.900 (48.26) | | | | | | | | | | | | | | | | |
| 22 | 44 | 71979-0222 | 71979-0322 | 71979-0422 | 2.195 (55.75) | 2.100 (53.34) | 2.000 (50.80) | | | | | | | | | | | | | | | | |
| 23 | 46 | 71979-0223 | 71979-0323 | 71979-0423 | 2.295 (58.29) | 2.200 (55.88) | 2.100 (53.34) | | | | | | | | | | | | | | | | |
| 24 | 48 | 71979-0224 | 71979-0324 | 71979-0424 | 2.395 (60.83) | 2.300 (58.42) | 2.200 (55.88) | | | | | | | | | | | | | | | | |
| 25 | 50 | 71979-0225 | 71979-0325 | 71979-0425 | 2.495 (63.37) | 2.400 (60.96) | 2.300 (58.42) | | | | | | | | | | | | | | | | |
| 26 | 52 | 71979-0226 | 71979-0326 | 71979-0426 | 2.595 (65.91) | 2.500 (63.50) | 2.400 (60.96) | | | | | | | | | | | | | | | | |
| 27 | 54 | 71979-0227 | 71979-0327 | 71979-0427 | 2.695 (68.45) | 2.600 (66.04) | 2.500 (63.50) | | | | | | | | | | | | | | | | |
| 28 | 56 | 71979-0228 | 71979-0328 | 71979-0428 | 2.795 (70.99) | 2.700 (68.58) | 2.600 (66.04) | | | | | | | | | | | | | | | | |
| 29 | 58 | 71979-0229 | 71979-0329 | 71979-0429 | 2.895 (73.53) | 2.800 (71.12) | 2.700 (68.58) | | | | | | | | | | | | | | | | |
| 30 | 60 | 71979-0230 | 71979-0330 | 71979-0430 | 2.995 (76.07) | 2.900 (73.66) | 2.800 (71.12) | | | | | | | | | | | | | | | | |
| 31 | 62 | 71979-0231 | 71979-0331 | 71979-0431 | 3.095 (78.61) | 3.000 (76.20) | 2.900 (73.66) | | | | | | | | | | | | | | | | |
| 32 | 64 | 71979-0232 | 71979-0332 | 71979-0432 | 3.195 (81.15) | 3.100 (78.74) | 3.000 (76.20) | | | | | | | | | | | | | | | | |
| 33 | 66 | 71979-0233 | 71979-0333 | 71979-0433 | 3.295 (83.69) | 3.200 (81.28) | 3.100 (78.74) | | | | | | | | | | | | | | | | |

NOTE: ALL CONNECTORS ARE PACKAGED IN TUBES PER PK-70873-0138

"X" INDICATES TOOLING IS NOT AVAILABLE.

REVISED
EC NO: S2009-0814
DRWN:SKANG
CHKD:ATSEE
APPR:MLONG
2009/09/01
2009/09/04
2009/09/05

QUALITY SYMBOLS
▽=0
◁=0
DESCRIPTION
REV

GENERAL TOLERANCES (UNLESS SPECIFIED)
mm INCH
4 PLACES ± --- ± ---
3 PLACES ± --- ± ---
2 PLACES ± --- ± .01
1 PLACE ± 0.25 ± ---
ANGULAR ± 1/2°
DRAFT WHERE APPLICABLE
MUST REMAIN WITHIN DIMENSIONS

DIMENSION STYLE IN/MM
DRAWN BY DATE
CHECKED BY DATE
APPROVED BY DATE
MATERIAL NO.
SEE TABLE

SCALE NTS
DESIGN UNITS INCH
THIRD ANGLE PROJECTION
TITLE
SMT RECEPTACLE
RIGHT ANGLE, DUAL ROW
WITH AND WITHOUT PEG
MOLEX INCORPORATED
DOCUMENT NO. SDA-71979-****
SHEET NO. 7 OF 12
THIS DRAWING CONTAINS INFORMATION THAT IS PROPRIETARY TO MOLEX INCORPORATED AND SHOULD NOT BE USED WITHOUT WRITTEN PERMISSION

| 10 | | 9 | | 8 | | 7 | | 6 | | 5 | | 4 | | 3 | | 2 | | 1 | | | | | |
|-------------|-------|--|--|------------|------------|------------|------------------|------------------|------------------|---------|-------|-------------|------------|--|------------|------------------|------------------|------------------|------------------|-----------|--|--|--|
| NO. OF CKTS | | OPTION B ASSEMBLY PLATINGS PER ES-88-(****) (SEE SHEET I FOR PLATING SPECIFICATIONS) | | | | | | DIMENSION | | | | NO. OF CKTS | | OPTION B ASSEMBLY PLATINGS PER ES-88-(****) (SEE SHEET I FOR PLATING SPECIFICATIONS) | | | | | | DIMENSION | | | |
| PER ROW | TOTAL | | | 15 GOLD | 30 GOLD | 50 GOLD | A | B | C | PER ROW | TOTAL | | | 15 GOLD | 30 GOLD | 50 GOLD | A | B | C | | | | |
| F | 4 | 8 | | 71979-1004 | 71979-1104 | 71979-1204 | .395 (10.03) | .300 (7.62) | .200 (5.08) | 34 | 68 | | 71979-1034 | 71979-1134 | 71878-1234 | 3.395 (86.23) | 3.300 (83.82) | 3.200 (81.28) | F | | | | |
| | 5 | 10 | | 71979-1005 | 71979-1105 | 71979-1205 | .495 (12.57) | .400 (10.16) | .300 (7.62) | | 35 | 70 | | 71979-1035 | 71979-1135 | 71878-1235 | 3.495 (88.77) | 3.400 (86.36) | 3.300 (83.82) | | | | |
| | 6 | 12 | | 71979-1006 | 71979-1106 | 71979-1206 | .595 (15.11) | .500 (12.70) | .400 (10.16) | | 36 | 72 | | 71979-1036 | 71979-1136 | 71878-1236 | 3.595 (91.31) | 3.500 (88.90) | 3.400 (86.36) | | | | |
| | 7 | 14 | | 71979-1007 | 71979-1107 | 71979-1207 | .695 (17.65) | .600 (15.24) | .500 (12.70) | | | | | | | | | | | | | | |
| | 8 | 16 | | 71979-1008 | 71979-1108 | 71979-1208 | .795 (20.19) | .700 (17.78) | .600 (15.24) | | | | | | | | | | | | | | |
| | 9 | 18 | | 71979-1009 | 71979-1109 | 71979-1209 | .895 (22.73) | .800 (20.32) | .700 (17.78) | | | | | | | | | | | | | | |
| | 10 | 20 | | 71979-1010 | 71979-1110 | 71979-1210 | .995 (25.27) | .900 (22.86) | .800 (20.32) | | | | | | | | | | | | | | |
| E | 11 | 22 | | 71979-1011 | 71979-1111 | 71979-1211 | 1.095 (27.81) | 1.000 (25.40) | .900 (22.86) | | | | | | | | | | | E | | | |
| | 12 | 24 | | 71979-1012 | 71979-1112 | 71979-1212 | 1.195 (30.35) | 1.100 (27.94) | 1.000 (25.40) | | | | | | | | | | | | | | |
| | 13 | 26 | | 71979-1013 | 71979-1113 | 71979-1213 | 1.295 (32.89) | 1.200 (30.48) | 1.100 (27.94) | | | | | | | | | | | | | | |
| | 14 | 28 | | 71979-1014 | 71979-1114 | 71979-1214 | 1.395 (35.43) | 1.300 (33.02) | 1.200 (30.48) | | | | | | | | | | | | | | |
| | 15 | 30 | | 71979-1015 | 71979-1115 | 71979-1215 | 1.495 (37.97) | 1.400 (35.56) | 1.300 (33.02) | | | | | | | | | | | | | | |
| | 16 | 32 | | 71979-1016 | 71979-1116 | 71979-1216 | 1.595 (40.51) | 1.500 (38.10) | 1.400 (35.56) | | | | | | | | | | | | | | |
| | 17 | 34 | | 71979-1017 | 71979-1117 | 71979-1217 | 1.695 (43.05) | 1.600 (40.64) | 1.500 (38.10) | | | | | | | | | | | | | | |
| D | 18 | 36 | | 71979-1018 | 71979-1118 | 71979-1218 | 1.795 (45.59) | 1.700 (43.18) | 1.600 (40.64) | | | | | | | | | | | D | | | |
| | 19 | 38 | | 71979-1019 | 71979-1119 | 71979-1219 | 1.895 (48.13) | 1.800 (45.72) | 1.700 (43.18) | | | | | | | | | | | | | | |
| | 20 | 40 | | 71979-1020 | 71979-1120 | 71979-1220 | 1.995 (50.67) | 1.900 (48.26) | 1.800 (45.72) | | | | | | | | | | | | | | |
| | 21 | 42 | | 71979-1021 | 71979-1121 | 71979-1221 | 2.095 (53.21) | 2.000 (50.80) | 1.900 (48.26) | | | | | | | | | | | | | | |
| | 22 | 44 | | 71979-1022 | 71979-1122 | 71979-1222 | 2.195 (55.75) | 2.100 (53.34) | 2.000 (50.80) | | | | | | | | | | | | | | |
| | 23 | 46 | | 71979-1023 | 71979-1123 | 71979-1223 | 2.295 (58.29) | 2.200 (55.88) | 2.100 (53.34) | | | | | | | | | | | | | | |
| | 24 | 48 | | 71979-1024 | 71979-1124 | 71979-1224 | 2.395 (60.83) | 2.300 (58.42) | 2.200 (55.88) | | | | | | | | | | | | | | |
| | 25 | 50 | | 71979-1025 | 71979-1125 | 71979-1225 | 2.495 (63.37) | 2.400 (60.96) | 2.300 (58.42) | | | | | | | | | | | | | | |
| C | 26 | 52 | | 71979-1026 | 71979-1126 | 71979-1226 | 2.595 (65.91) | 2.500 (63.50) | 2.400 (60.96) | | | | | | | | | | | C | | | |
| | 27 | 54 | | 71979-1027 | 71979-1127 | 71979-1227 | 2.695 (68.45) | 2.600 (66.04) | 2.500 (63.50) | | | | | | | | | | | | | | |
| | 28 | 56 | | 71979-1028 | 71979-1128 | 71979-1228 | 2.795 (70.99) | 2.700 (68.58) | 2.600 (66.04) | | | | | | | | | | | | | | |
| | 29 | 58 | | 71979-1029 | 71979-1129 | 71979-1229 | 2.895 (73.53) | 2.800 (71.12) | 2.700 (68.58) | | | | | | | | | | | | | | |
| | 30 | 60 | | 71979-1030 | 71979-1130 | 71979-1230 | 2.995 (76.07) | 2.900 (73.66) | 2.800 (71.12) | | | | | | | | | | | | | | |
| | 31 | 62 | | 71979-1031 | 71979-1131 | 71979-1231 | 3.095 (78.61) | 3.000 (76.20) | 2.900 (73.66) | | | | | | | | | | | | | | |
| | 32 | 64 | | 71979-1032 | 71979-1132 | 71979-1232 | 3.195 (81.15) | 3.100 (78.74) | 3.000 (76.20) | | | | | | | | | | | | | | |
| B | 33 | 66 | | 71979-1033 | 71979-1133 | 71979-1233 | 3.295 (83.69) | 3.200 (81.28) | 3.100 (78.74) | | | | | | | | | | | B | | | |

NOTE: ALL CONNECTORS ARE PACKAGED IN TUBES PER PK-70873-0138

"X" INDICATES TOOLING IS NOT AVAILABLE.

| | | | | | | | |
|---|--|--|---|---|----------------------------|------------------------|---|
| REVISED EC NO: S2009-0814 DRWN:SKANG CHKD:ATSEE APPR:MLONG 2009/09/01 2009/09/04 2009/09/05 | QUALITY SYMBOLS | GENERAL TOLERANCES (UNLESS SPECIFIED) | DIMENSION STYLE | SCALE | DESIGN UNITS | THIRD ANGLE PROJECTION | |
| | =0 =0 | mm INCH 4 PLACES ± --- ± --- 3 PLACES ± --- ± --- 2 PLACES ± --- ± .01 1 PLACE ± 0.25 ± --- ANGULAR ± 1/2° | IN/MM DRAWN BY: DJB DATE: 1995/03/15 CHECKED BY: DATE: 1995/03/15 APPROVED BY: DATE: 1995/03/15 | NTS TITLE: SMT RECEPTACLE RIGHT ANGLE, DUAL ROW WITH AND WITHOUT PEG | INCH MOLEX INCORPORATED | | MATERIAL NO. DOCUMENT NO. SEE TABLE SDA-71979-**** |
| | DRAFT WHERE APPLICABLE MUST REMAIN WITHIN DIMENSIONS | SIZE: A3 THIS DRAWING CONTAINS INFORMATION THAT IS PROPRIETARY TO MOLEX INCORPORATED AND SHOULD NOT BE USED WITHOUT WRITTEN PERMISSION | SHEET NO. 8 OF 12 | | | | |
| | H2 | | | | | | |

| NO. OF CKTS | | PACKAGING: TUBES PER PK-70873-0138 TAPE AND REEL PER PK-70873-0918 | OPTION C ASSEMBLY PLATINGS PER ES-88-(****) (SEE SHEET 1 FOR PLATING SPECIFICATIONS) | | | DIMENSION | |
|-------------|-------|--|--|---------|---------|-----------|---|
| PER ROW | TOTAL | | 15 GOLD | 30 GOLD | 50 GOLD | A | B |
| | | | | | | | |
| 4 | 8 | PK-70873-0138 | | | | | |
| | | PK-70873-0918 | X | | | | |
| 5 | 10 | PK-70873-0138 | | | | | |
| | | PK-70873-0918 | X | | | | |
| 6 | 12 | PK-70873-0138 | | | | | |
| | | PK-70873-0918 | X | | | | |
| 7 | 14 | PK-70873-0138 | | | | | |
| | | PK-70873-0918 | X | | | | |
| 8 | 16 | PK-70873-0138 | | | | | |
| | | PK-70873-0918 | X | | | | |
| 9 | 18 | PK-70873-0138 | | | | | |
| | | PK-70873-0918 | X | | | | |
| 10 | 20 | PK-70873-0138 | | | | | |
| | | PK-70873-0918 | X | | | | |
| 11 | 22 | PK-70873-0138 | | | | | |
| | | PK-70873-0918 | X | | | | |
| 12 | 24 | PK-70873-0138 | | | | | |
| | | PK-70873-0918 | X | | | | |
| 13 | 26 | PK-70873-0138 | | | | | |
| | | PK-70873-0918 | X | | | | |
| 14 | 28 | PK-70873-0138 | | | | | |
| | | PK-70873-0918 | X | | | | |
| 15 | 30 | PK-70873-0138 | | | | | |
| | | PK-70873-0918 | X | | | | |
| 16 | 32 | PK-70873-0138 | | | | | |
| | | PK-70873-0918 | X | | | | |
| 17 | 34 | PK-70873-0138 | | | | | |
| | | PK-70873-0918 | X | | | | |
| 18 | 36 | PK-70873-0138 | | | | | |
| | | PK-70873-0918 | X | | | | |
| 19 | 38 | PK-70873-0138 | | | | | |
| | | PK-70873-0918 | X | | | | |

| NO. OF CKTS | | PACKAGING: TUBES PER PK-70873-0138 | OPTION C ASSEMBLY PLATINGS PER ES-88-(****) (SEE SHEET 1 FOR PLATING SPECIFICATIONS) | | | DIMENSION | |
|-------------|-------|--|--|---------|---------|-----------|---|
| PER ROW | TOTAL | | 15 GOLD | 30 GOLD | 50 GOLD | A | B |
| 20 | 40 | PK-70873-0138 | | | | | |
| 21 | 42 | PK-70873-0138 | | | | | |
| 22 | 44 | PK-70873-0138 | | | | | |
| 23 | 46 | PK-70873-0138 | | | | | |
| 24 | 48 | PK-70873-0138 | | | | | |
| 25 | 50 | PK-70873-0138 | | | | | |
| 26 | 52 | PK-70873-0138 | | | | | |
| 27 | 54 | PK-70873-0138 | | | | | |
| 28 | 56 | PK-70873-0138 | | | | | |
| 29 | 58 | PK-70873-0138 | | | | | |
| 30 | 60 | PK-70873-0138 | | | | | |
| 31 | 62 | PK-70873-0138 | | | | | |
| 32 | 64 | PK-70873-0138 | | | | | |
| 33 | 66 | PK-70873-0138 | | | | | |
| 34 | 68 | PK-70873-0138 | | | | | |
| 35 | 70 | PK-70873-0138 | | | | | |
| 36 | 72 | PK-70873-0138 | | | | | |

"X" INDICATES TOOLING IS NOT AVAILABLE.

REVISED
EC NO: S2009-0814
2009/09/01
DRWN:SKANG
2009/09/04
CHKD:ATSEE
2009/09/05
APPR:MLONG

QUALITY SYMBOLS
▽=0
◻=0

GENERAL TOLERANCES (UNLESS SPECIFIED)

| | | |
|----------------|--------|-------|
| | mm | INCH |
| 4 PLACES | ± --- | ± --- |
| 3 PLACES | ± --- | ± --- |
| 2 PLACES | ± --- | ± .01 |
| 1 PLACE | ± 0.25 | ± --- |
| ANGULAR ± 1/2° | | |

DRAFT WHERE APPLICABLE
MUST REMAIN
WITHIN DIMENSIONS

DIMENSION STYLE
IN/MM

DRAWN BY: DJB
DATE: 1995/03/15

CHECKED BY: DJB
DATE: 1995/03/15

APPROVED BY: DJB
DATE: 1995/03/15

MATERIAL NO. SEE TABLE

SCALE
NTS

DESIGN UNITS
INCH

THIRD ANGLE PROJECTION

SMT RECEPTACLE
RIGHT ANGLE, DUAL ROW
WITH AND WITHOUT PEG

MOLEX MOLEX INCORPORATED

SDA-71979-****

SHEET NO. 9 OF 12

THIS DRAWING CONTAINS INFORMATION THAT IS PROPRIETARY TO MOLEX INCORPORATED AND SHOULD NOT BE USED WITHOUT WRITTEN PERMISSION

| NO. OF CKTS | | OPTION D ASSEMBLY PLATINGS PER ES-88-**** (SEE SHEET 1 FOR PLATING SPECIFICATIONS) | | | | | DIMENSION | | | NO. OF CKTS | | OPTION D ASSEMBLY PLATINGS PER ES-88-**** (SEE SHEET 1 FOR PLATING SPECIFICATIONS) | | | | | DIMENSION | | | | |
|-------------|-------|--|--|--|-------------|-------------|-------------|------------------|------------------|-------------|---------|--|--|--|--|-------------|-------------|-------------|------------------|------------------|--|
| PER ROW | TOTAL | | | | 15 GOLD | 30 GOLD | 50 GOLD | A | B | | PER ROW | TOTAL | | | | 15 GOLD | 30 GOLD | 50 GOLD | A | B | |
| 4 | 8 | | | | 7 1979-2604 | 7 1979-2704 | 7 1979-2804 | .395 (10.03) | .300 (7.62) | | 34 | 68 | | | | 7 1979-2634 | 7 1979-2734 | 7 1979-2834 | 3.395 (86.23) | 3.300 (83.82) | |
| 5 | 10 | | | | 7 1979-2605 | 7 1979-2705 | 7 1979-2805 | .495 (12.57) | .400 (10.16) | | 35 | 70 | | | | 7 1979-2635 | 7 1979-2735 | 7 1979-2835 | 3.495 (88.77) | 3.400 (86.36) | |
| 6 | 12 | | | | 7 1979-2606 | 7 1979-2706 | 7 1979-2806 | .595 (15.1) | .500 (12.70) | | 36 | 72 | | | | 7 1979-2636 | 7 1979-2736 | 7 1979-2836 | 3.595 (91.31) | 3.500 (88.90) | |
| 7 | 14 | | | | 7 1979-2607 | 7 1979-2707 | 7 1979-2807 | .695 (17.65) | .600 (15.24) | | | | | | | | | | | | |
| 8 | 16 | | | | 7 1979-2608 | 7 1979-2708 | 7 1979-2808 | .795 (20.19) | .700 (17.78) | | | | | | | | | | | | |
| 9 | 18 | | | | 7 1979-2609 | 7 1979-2709 | 7 1979-2809 | .895 (22.73) | .800 (20.32) | | | | | | | | | | | | |
| 10 | 20 | | | | 7 1979-2610 | 7 1979-2710 | 7 1979-2810 | .995 (25.27) | .900 (22.86) | | | | | | | | | | | | |
| 11 | 22 | | | | 7 1979-2611 | 7 1979-2711 | 7 1979-2811 | 1.095 (27.81) | 1.000 (25.40) | | | | | | | | | | | | |
| 12 | 24 | | | | 7 1979-2612 | 7 1979-2712 | 7 1979-2812 | 1.195 (30.35) | 1.100 (27.94) | | | | | | | | | | | | |
| 13 | 26 | | | | 7 1979-2613 | 7 1979-2713 | 7 1979-2813 | 1.295 (32.89) | 1.200 (30.48) | | | | | | | | | | | | |
| 14 | 28 | | | | 7 1979-2614 | 7 1979-2714 | 7 1979-2814 | 1.395 (35.43) | 1.300 (33.02) | | | | | | | | | | | | |
| 15 | 30 | | | | 7 1979-2615 | 7 1979-2715 | 7 1979-2815 | 1.495 (37.97) | 1.400 (35.56) | | | | | | | | | | | | |
| 16 | 32 | | | | 7 1979-2616 | 7 1979-2716 | 7 1979-2816 | 1.595 (40.51) | 1.500 (38.10) | | | | | | | | | | | | |
| 17 | 34 | | | | 7 1979-2617 | 7 1979-2717 | 7 1979-2817 | 1.695 (43.05) | 1.600 (40.64) | | | | | | | | | | | | |
| 18 | 36 | | | | 7 1979-2618 | 7 1979-2718 | 7 1979-2818 | 1.795 (45.59) | 1.700 (43.18) | | | | | | | | | | | | |
| 19 | 38 | | | | 7 1979-2619 | 7 1979-2719 | 7 1979-2819 | 1.895 (48.13) | 1.800 (45.72) | | | | | | | | | | | | |
| 20 | 40 | | | | 7 1979-2620 | 7 1979-2720 | 7 1979-2820 | 1.995 (50.67) | 1.900 (48.26) | | | | | | | | | | | | |
| 21 | 42 | | | | 7 1979-2621 | 7 1979-2721 | 7 1979-2821 | 2.095 (53.21) | 2.000 (50.80) | | | | | | | | | | | | |
| 22 | 44 | | | | 7 1979-2622 | 7 1979-2722 | 7 1979-2822 | 2.195 (55.75) | 2.100 (53.34) | | | | | | | | | | | | |
| 23 | 46 | | | | 7 1979-2623 | 7 1979-2723 | 7 1979-2823 | 2.295 (58.29) | 2.200 (55.88) | | | | | | | | | | | | |
| 24 | 48 | | | | 7 1979-2624 | 7 1979-2724 | 7 1979-2824 | 2.395 (60.83) | 2.300 (58.42) | | | | | | | | | | | | |
| 25 | 50 | | | | 7 1979-2625 | 7 1979-2725 | 7 1979-2825 | 2.495 (63.37) | 2.400 (60.96) | | | | | | | | | | | | |
| 26 | 52 | | | | 7 1979-2626 | 7 1979-2726 | 7 1979-2826 | 2.595 (65.91) | 2.500 (63.50) | | | | | | | | | | | | |
| 27 | 54 | | | | 7 1979-2627 | 7 1979-2727 | 7 1979-2827 | 2.695 (68.45) | 2.600 (66.04) | | | | | | | | | | | | |
| 28 | 56 | | | | 7 1979-2628 | 7 1979-2728 | 7 1979-2828 | 2.795 (70.99) | 2.700 (68.58) | | | | | | | | | | | | |
| 29 | 58 | | | | 7 1979-2629 | 7 1979-2729 | 7 1979-2829 | 2.895 (73.53) | 2.800 (71.12) | | | | | | | | | | | | |
| 30 | 60 | | | | 7 1979-2630 | 7 1979-2730 | 7 1979-2830 | 2.995 (76.07) | 2.900 (73.66) | | | | | | | | | | | | |
| 31 | 62 | | | | 7 1979-2631 | 7 1979-2731 | 7 1979-2831 | 3.095 (78.61) | 3.000 (76.20) | | | | | | | | | | | | |
| 32 | 64 | | | | 7 1979-2632 | 7 1979-2732 | 7 1979-2832 | 3.195 (81.15) | 3.100 (78.74) | | | | | | | | | | | | |
| 33 | 66 | | | | 7 1979-2633 | 7 1979-2733 | 7 1979-2833 | 3.295 (83.69) | 3.200 (81.28) | | | | | | | | | | | | |

NOTE: ALL CONNECTORS ARE PACKAGED IN TUBES PER PK-70873-0138

X INDICATES TOOLING IS NOT AVAILABLE.

REVISED
EC NO: S2009-0814
DRWN:SKANG
CHKD:ATSEE
APPR:MLONG
2009/09/01
2009/09/04
2009/09/05

QUALITY SYMBOLS
▽=0
◻=0

GENERAL TOLERANCES (UNLESS SPECIFIED)

| | mm | INCH |
|----------------|--------|-------|
| 4 PLACES | ± --- | ± --- |
| 3 PLACES | ± --- | ± --- |
| 2 PLACES | ± --- | ± .01 |
| 1 PLACE | ± 0.25 | ± --- |
| ANGULAR ± 1/2° | | |

DRAFT WHERE APPLICABLE
MUST REMAIN
WITHIN DIMENSIONS

DIMENSION STYLE
IN/MM

DRAWN BY: DJB
DATE: 1995/03/15

CHECKED BY: DJB
DATE: 1995/03/15

APPROVED BY: DJB
DATE: 1995/03/15

MATERIAL NO. SEE TABLE

SCALE NTS
DESIGN UNITS INCH
THIRD ANGLE PROJECTION

TITLE
SMT RECEPTACLE
RIGHT ANGLE, DUAL ROW
WITH AND WITHOUT PEG

MOLEX MOLEX INCORPORATED

DOCUMENT NO. SDA-71979-****
SHEET NO. 10 OF 12

THIS DRAWING CONTAINS INFORMATION THAT IS PROPRIETARY TO MOLEX INCORPORATED AND SHOULD NOT BE USED WITHOUT WRITTEN PERMISSION

| NO. OF CKTS | | OPTION E ASSEMBLY PLATING PER ES-88-(****) (SEE SHEET 1 FOR PLATING SPECIFICATIONS) | | | | | DIMENSION | | |
|-------------|-------|---|------------|------------|------------------|------------------|-----------|--|--|
| PER ROW | TOTAL | 15 GOLD | 30 GOLD | 50 GOLD | A | B | | | |
| 4 | 8 | 71979-3004 | 71979-3104 | 71979-3204 | .658 (16.71) | .300 (7.62) | | | |
| 5 | 10 | 71979-3005 | 71979-3105 | 71979-3205 | .758 (19.25) | .400 (10.16) | | | |
| 6 | 12 | 71979-3006 | 71979-3106 | 71979-3206 | .858 (21.79) | .500 (12.70) | | | |
| 7 | 14 | 71979-3007 | 71979-3107 | 71979-3207 | .958 (24.33) | .600 (15.24) | | | |
| 8 | 16 | 71979-3008 | 71979-3108 | 71979-3208 | 1.058 (26.87) | .700 (17.78) | | | |
| 9 | 18 | 71979-3009 | 71979-3109 | 71979-3209 | 1.158 (29.41) | .800 (20.32) | | | |
| 10 | 20 | 71979-3010 | 71979-3110 | 71979-3210 | 1.258 (31.95) | .900 (22.86) | | | |
| 11 | 22 | 71979-3011 | 71979-3111 | 71979-3211 | 1.358 (34.49) | 1.000 (25.40) | | | |
| 12 | 24 | 71979-3012 | 71979-3112 | 71979-3212 | 1.458 (37.03) | 1.100 (27.94) | | | |
| 13 | 26 | 71979-3013 | 71979-3113 | 71979-3213 | 1.558 (39.57) | 1.200 (30.48) | | | |
| 14 | 28 | 71979-3014 | 71979-3114 | 71979-3214 | 1.658 (42.11) | 1.300 (33.02) | | | |
| 15 | 30 | 71979-3015 | 71979-3115 | 71979-3215 | 1.758 (44.65) | 1.400 (35.56) | | | |
| 16 | 32 | 71979-3016 | 71979-3116 | 71979-3216 | 1.858 (47.19) | 1.500 (38.10) | | | |
| 17 | 34 | 71979-3017 | 71979-3117 | 71979-3217 | 1.958 (49.73) | 1.600 (40.64) | | | |
| 18 | 36 | 71979-3018 | 71979-3118 | 71979-3218 | 2.058 (52.27) | 1.700 (43.18) | | | |
| 19 | 38 | 71979-3019 | 71979-3119 | 71979-3219 | 2.158 (54.81) | 1.800 (45.72) | | | |
| 20 | 40 | 71979-3020 | 71979-3120 | 71979-3220 | 2.258 (57.35) | 1.900 (48.26) | | | |
| 21 | 42 | 71979-3021 | 71979-3121 | 71979-3221 | 2.358 (59.89) | 2.000 (50.80) | | | |
| 22 | 44 | 71979-3022 | 71979-3122 | 71979-3222 | 2.458 (62.43) | 2.100 (53.34) | | | |
| 23 | 46 | 71979-3023 | 71979-3123 | 71979-3223 | 2.558 (64.97) | 2.200 (55.88) | | | |
| 24 | 48 | 71979-3024 | 71979-3124 | 71979-3224 | 2.658 (67.51) | 2.300 (58.42) | | | |
| 25 | 50 | 71979-3025 | 71979-3125 | 71979-3225 | 2.758 (70.05) | 2.400 (60.96) | | | |
| 26 | 52 | 71979-3026 | 71979-3126 | 71979-3226 | 2.858 (72.59) | 2.500 (63.50) | | | |
| 27 | 54 | 71979-3027 | 71979-3127 | 71979-3227 | 2.958 (75.13) | 2.600 (66.04) | | | |
| 28 | 56 | 71979-3028 | 71979-3128 | 71979-3228 | 3.058 (77.67) | 2.700 (68.58) | | | |
| 29 | 58 | 71979-3029 | 71979-3129 | 71979-3229 | 3.158 (80.21) | 2.800 (71.12) | | | |
| 30 | 60 | 71979-3030 | 71979-3130 | 71979-3230 | 3.258 (82.75) | 2.900 (73.66) | | | |
| 31 | 62 | 71979-3031 | 71979-3131 | 71979-3231 | 3.358 (85.29) | 3.000 (76.20) | | | |
| 32 | 64 | 71979-3032 | 71979-3132 | 71979-3232 | 3.458 (87.83) | 3.100 (78.74) | | | |
| 33 | 66 | 71979-3033 | 71979-3133 | 71979-3233 | 3.558 (90.37) | 3.200 (81.28) | | | |

| NO. OF CKTS | | OPTION E ASSEMBLY PLATING PER ES-88-(****) (SEE SHEET 1 FOR PLATING SPECIFICATIONS) | | | | | DIMENSION | | |
|-------------|-------|---|------------|------------|------------------|------------------|-----------|--|--|
| PER ROW | TOTAL | 15 GOLD | 30 GOLD | 50 GOLD | A | B | | | |
| 34 | 68 | 71979-3034 | 71979-3134 | 71979-3234 | 3.658 (92.91) | 3.300 (83.82) | | | |
| 35 | 70 | 71979-3035 | 71979-3135 | 71979-3235 | 3.758 (95.45) | 3.400 (86.36) | | | |
| 36 | 72 | 71979-3036 | 71979-3136 | 71979-3236 | 3.858 (97.99) | 3.500 (88.90) | | | |

NOTE: ALL CONNECTORS ARE PACKAGED IN TUBES PER PK-70873-0139

"X" INDICATES TOOLING IS NOT AVAILABLE.

REVISED
EC NO: S2009-0814
2009/09/01
DRWN:SKANG
CHKD:ATSEE
2009/09/04
APPR:MLONG
2009/09/05

QUALITY SYMBOLS
▽=0
◁=0
DESCRIPTION
REV

GENERAL TOLERANCES (UNLESS SPECIFIED)

| | mm | INCH |
|----------------|--------|-------|
| 4 PLACES | ± --- | ± --- |
| 3 PLACES | ± --- | ± --- |
| 2 PLACES | ± --- | ± .01 |
| 1 PLACE | ± 0.25 | ± --- |
| ANGULAR ± 1/2° | | |

DRAFT WHERE APPLICABLE
MUST REMAIN
WITHIN DIMENSIONS

DIMENSION STYLE
IN/MM

DRAWN BY: DJB
DATE: 1995/03/15

CHECKED BY: DJB
DATE: 1995/03/15

APPROVED BY: DJB
DATE: 1995/03/15

MATERIAL NO. SEE TABLE

SIZE: A3

SCALE: NTS
DESIGN UNITS: INCH
THIRD ANGLE PROJECTION

TITLE: SMT RECEPTACLE
RIGHT ANGLE, DUAL ROW
WITH AND WITHOUT PEG

MOLEX INCORPORATED

DOCUMENT NO. SDA-71979-****
SHEET NO. 11 OF 12

THIS DRAWING CONTAINS INFORMATION THAT IS PROPRIETARY TO MOLEX INCORPORATED AND SHOULD NOT BE USED WITHOUT WRITTEN PERMISSION

| 10 | | 9 | | 8 | | 7 | | 6 | | 5 | | 4 | | 3 | | 2 | | 1 | | | | | |
|-------------|-------|--|--|------------|------------|------------|------------------|------------------|------------------|---|---------|-------------|---------|--|------------|------------|------------|------------------|------------------|------------------|---|--|--|
| NO. OF CKTS | | OPTION F ASSEMBLY PLATING PER ES-88-(***) (SEE SHEET 1 FOR PLATING SPECIFICATIONS) | | | | | | DIMENSION | | | | NO. OF CKTS | | OPTION F ASSEMBLY PLATING PER ES-88-(***) (SEE SHEET 1 FOR PLATING SPECIFICATIONS) | | | | | | DIMENSION | | | |
| PER ROW | TOTAL | 15 GOLD | | 30 GOLD | | 50 GOLD | | A | B | C | PER ROW | TOTAL | 15 GOLD | | 30 GOLD | | 50 GOLD | | A | B | C | | |
| 4 | 8 | | | 71979-3404 | 71979-3504 | 71979-3604 | .658 (16.71) | .300 (7.62) | .200 (5.08) | | 34 | 68 | | | 71979-3434 | 71979-3534 | 71979-3634 | 3.658 (92.91) | 3.300 (83.82) | 3.200 (81.28) | | | |
| 5 | 10 | | | 71979-3405 | 71979-3505 | 71979-3605 | .758 (19.25) | .400 (10.16) | .300 (7.62) | | 35 | 70 | | | 71979-3435 | 71979-3535 | 71979-3635 | 3.758 (95.45) | 3.400 (86.36) | 3.300 (83.82) | | | |
| 6 | 12 | | | 71979-3406 | 71979-3506 | 71979-3606 | .858 (21.79) | .500 (12.70) | .400 (10.16) | | 36 | 72 | | | 71979-3436 | 71979-3536 | 71979-3636 | 3.858 (97.99) | 3.500 (88.90) | 3.400 (86.36) | | | |
| 7 | 14 | | | 71979-3407 | 71979-3507 | 71979-3607 | .958 (24.33) | .600 (15.24) | .500 (12.70) | | | | | | | | | | | | | | |
| 8 | 16 | | | 71979-3408 | 71979-3508 | 71979-3608 | 1.058 (26.87) | .700 (17.78) | .600 (15.24) | | | | | | | | | | | | | | |
| 9 | 18 | | | 71979-3409 | 71979-3509 | 71979-3609 | 1.158 (29.41) | .800 (20.32) | .700 (17.78) | | | | | | | | | | | | | | |
| 10 | 20 | | | 71979-3410 | 71979-3510 | 71979-3610 | 1.258 (31.95) | .900 (22.86) | .800 (20.32) | | | | | | | | | | | | | | |
| 11 | 22 | | | 71979-3411 | 71979-3511 | 71979-3611 | 1.358 (34.49) | 1.000 (25.40) | .900 (22.86) | | | | | | | | | | | | | | |
| 12 | 24 | | | 71979-3412 | 71979-3512 | 71979-3612 | 1.458 (37.03) | 1.100 (27.94) | 1.000 (25.40) | | | | | | | | | | | | | | |
| 13 | 26 | | | 71979-3413 | 71979-3513 | 71979-3613 | 1.558 (39.57) | 1.200 (30.48) | 1.100 (27.94) | | | | | | | | | | | | | | |
| 14 | 28 | | | 71979-3414 | 71979-3514 | 71979-3614 | 1.658 (42.11) | 1.300 (33.02) | 1.200 (30.48) | | | | | | | | | | | | | | |
| 15 | 30 | | | 71979-3415 | 71979-3515 | 71979-3615 | 1.758 (44.65) | 1.400 (35.56) | 1.300 (33.02) | | | | | | | | | | | | | | |
| 16 | 32 | | | 71979-3416 | 71979-3516 | 71979-3616 | 1.858 (47.19) | 1.500 (38.10) | 1.400 (35.56) | | | | | | | | | | | | | | |
| 17 | 34 | | | 71979-3417 | 71979-3517 | 71979-3617 | 1.958 (49.73) | 1.600 (40.64) | 1.500 (38.10) | | | | | | | | | | | | | | |
| 18 | 36 | | | 71979-3418 | 71979-3518 | 71979-3618 | 2.058 (52.27) | 1.700 (43.18) | 1.600 (40.64) | | | | | | | | | | | | | | |
| 19 | 38 | | | 71979-3419 | 71979-3519 | 71979-3619 | 2.158 (54.81) | 1.800 (45.72) | 1.700 (43.18) | | | | | | | | | | | | | | |
| 20 | 40 | | | 71979-3420 | 71979-3520 | 71979-3620 | 2.258 (57.35) | 1.900 (48.26) | 1.800 (45.72) | | | | | | | | | | | | | | |
| 21 | 42 | | | 71979-3421 | 71979-3521 | 71979-3621 | 2.358 (59.89) | 2.000 (50.80) | 1.900 (48.26) | | | | | | | | | | | | | | |
| 22 | 44 | | | 71979-3422 | 71979-3522 | 71979-3622 | 2.458 (62.43) | 2.100 (53.34) | 2.000 (50.80) | | | | | | | | | | | | | | |
| 23 | 46 | | | 71979-3423 | 71979-3523 | 71979-3623 | 2.558 (64.97) | 2.200 (55.88) | 2.100 (53.34) | | | | | | | | | | | | | | |
| 24 | 48 | | | 71979-3424 | 71979-3524 | 71979-3624 | 2.658 (67.51) | 2.300 (58.42) | 2.200 (55.88) | | | | | | | | | | | | | | |
| 25 | 50 | | | 71979-3425 | 71979-3525 | 71979-3625 | 2.758 (70.05) | 2.400 (60.96) | 2.300 (58.42) | | | | | | | | | | | | | | |
| 26 | 52 | | | 71979-3426 | 71979-3526 | 71979-3626 | 2.858 (72.59) | 2.500 (63.50) | 2.400 (60.96) | | | | | | | | | | | | | | |
| 27 | 54 | | | 71979-3427 | 71979-3527 | 71979-3627 | 2.958 (75.13) | 2.600 (66.04) | 2.500 (63.50) | | | | | | | | | | | | | | |
| 28 | 56 | | | 71979-3428 | 71979-3528 | 71979-3628 | 3.058 (77.67) | 2.700 (68.58) | 2.600 (66.04) | | | | | | | | | | | | | | |
| 29 | 58 | | | 71979-3429 | 71979-3529 | 71979-3629 | 3.158 (80.21) | 2.800 (71.12) | 2.700 (68.58) | | | | | | | | | | | | | | |
| 30 | 60 | | | 71979-3430 | 71979-3530 | 71979-3630 | 3.258 (82.75) | 2.900 (73.66) | 2.800 (71.12) | | | | | | | | | | | | | | |
| 31 | 62 | | | 71979-3431 | 71979-3531 | 71979-3631 | 3.358 (85.29) | 3.000 (76.20) | 2.900 (73.66) | | | | | | | | | | | | | | |
| 32 | 64 | | | 71979-3432 | 71979-3532 | 71979-3632 | 3.458 (87.83) | 3.100 (78.74) | 3.000 (76.20) | | | | | | | | | | | | | | |
| 33 | 66 | | | 71979-3433 | 71979-3533 | 71979-3633 | 3.558 (90.37) | 3.200 (81.28) | 3.100 (78.74) | | | | | | | | | | | | | | |

NOTE: ALL CONNECTORS ARE PACKAGED IN TUBES PER PK-70873-0139

"X" INDICATES TOOLING IS NOT AVAILABLE.

REVISED
EC NO: S2009-0814
DRWN:SKANG
CHKD:ATSEE
APPR:MLONG
2009/09/01
2009/09/04
2009/09/05

QUALITY SYMBOLS
▽=0
◻=0
DESCRIPTION
REV

GENERAL TOLERANCES (UNLESS SPECIFIED)
mm INCH
4 PLACES ± --- ± ---
3 PLACES ± --- ± ---
2 PLACES ± --- ± .01
1 PLACE ± 0.25 ± ---
ANGULAR ± 1/2°
DRAFT WHERE APPLICABLE
MUST REMAIN WITHIN DIMENSIONS

DIMENSION STYLE
IN/MM
DRAWN BY DATE
DJB 1995/03/15
CHECKED BY DATE
DJB 1995/03/15
APPROVED BY DATE
DJB 1995/03/15
MATERIAL NO.
SEE TABLE
SIZE
A3

SCALE
NTS
DESIGN UNITS
INCH
THIRD ANGLE PROJECTION
TITLE
SMT RECEPTACLE
RIGHT ANGLE, DUAL ROW
WITH AND WITHOUT PEG
MOLEX INCORPORATED
DOCUMENT NO.
SDA-71979-***
SHEET NO.
12 OF 12
THIS DRAWING CONTAINS INFORMATION THAT IS PROPRIETARY TO MOLEX
INCORPORATED AND SHOULD NOT BE USED WITHOUT WRITTEN PERMISSION